



800 Deere Rd. Prescott, WI 54021 • 715-262-4488 • sales@kascomarine.com • www.kascomarine.com

## CertiSafe™ Floor Mount

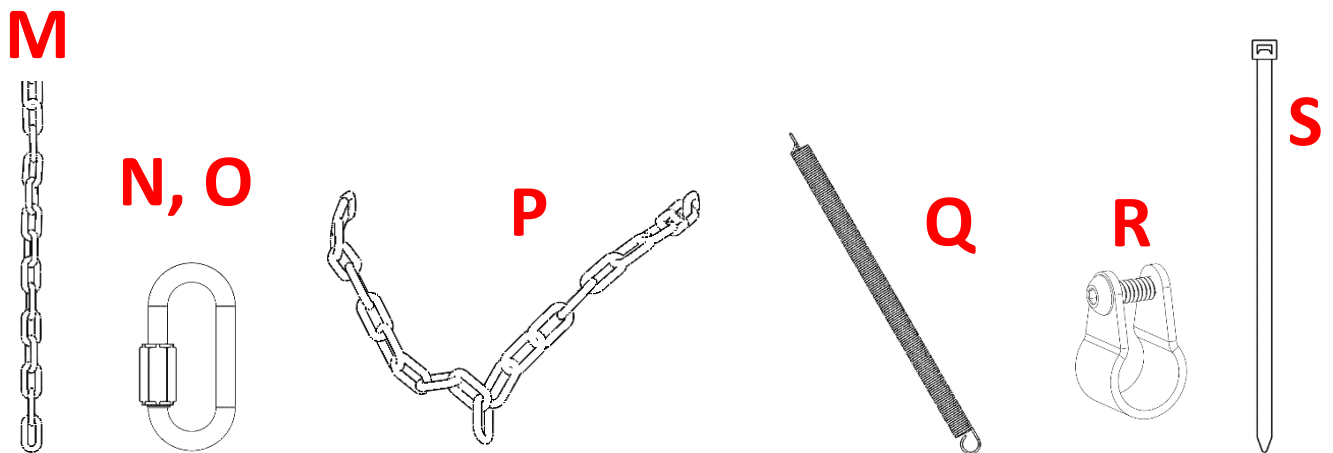
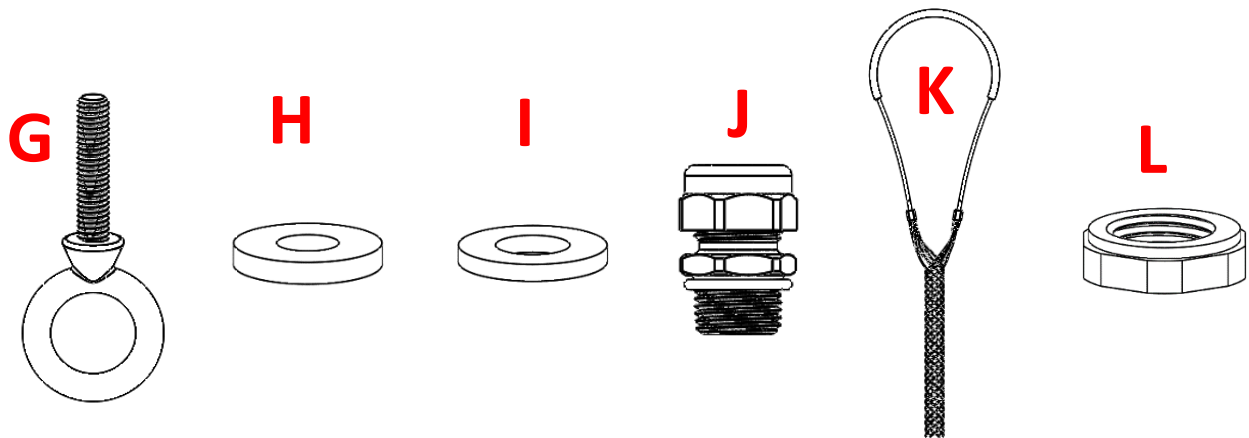
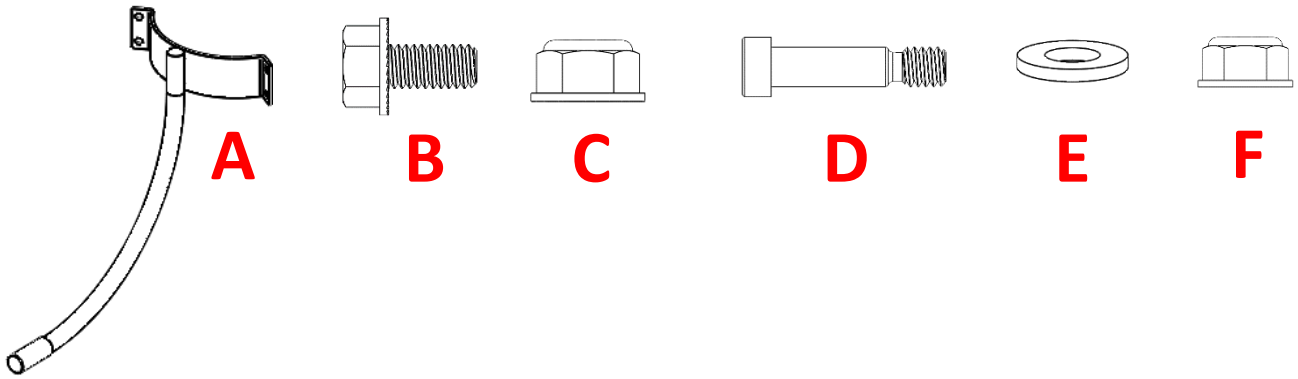


## Table of Contents

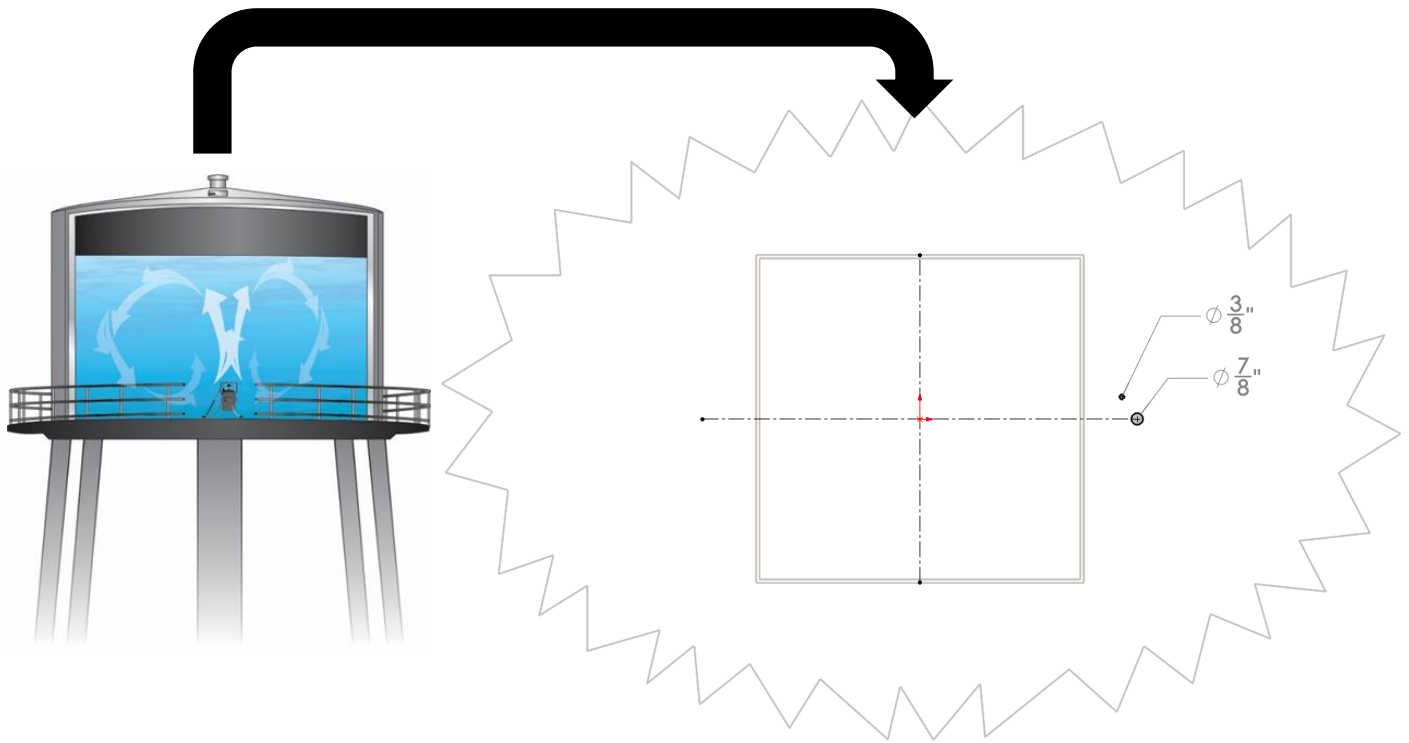
Parts Included.....	Page 3
Tank Penetration.....	Page 5
Base Assembly.....	Page 8
Retrieval and Cord Assembly.....	Page 10

## Parts Included:

Assembly	Item	Designation	Part #	Qty
<b>Base</b>	Mixer base leg	<b>A</b>	997200	3
	5/16" flanged bolt	<b>B</b>	566228	6
	5/16" nylon locknut	<b>C</b>	566227	6
	¼" shoulder bolt	<b>D</b>	451110	2
	¼" flat washer	<b>E</b>	258476	4
	¼" nylon locknut	<b>F</b>	451100	2
<b>Tank</b>	5/16" eyebolt	<b>G</b>	566226	1
<b>Penetration</b>	5/16" nylon locknut	<b>C</b>	566227	1
	Sealing washer	<b>H</b>	566229	2
	5/16" flat washer	<b>I</b>	261231	2
	Cord grip	<b>J</b>	997210, 997211, 997212	1
	Cable support	<b>K</b>	997220, 997221	1
	Cord Grip Nut	<b>L</b>	997215, 997216	1
<b>Retrieval Chain and Cable</b>	Long retrieval chain	<b>M</b>	636380	1
	Top connecting link	<b>N</b>	636342	1
	Bottom connecting link	<b>O</b>	636342	1
	Short retrieval chain	<b>P</b>	636380	1
	Extension spring	<b>Q</b>	997202	1
	Clamp ring	<b>R</b>	997201	1
	Zip ties	<b>S</b>	415038	12

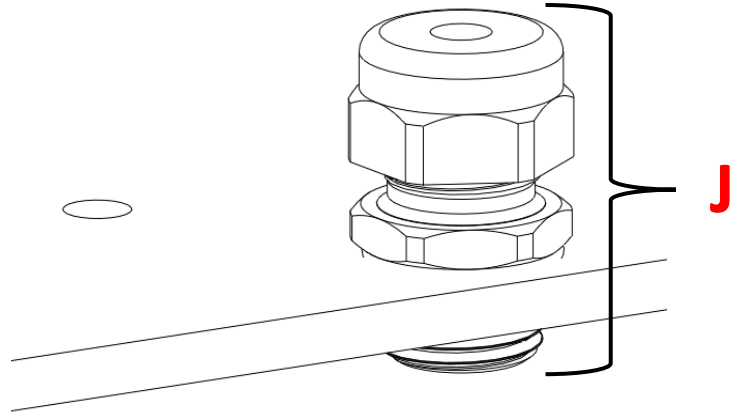


## Tank Penetration

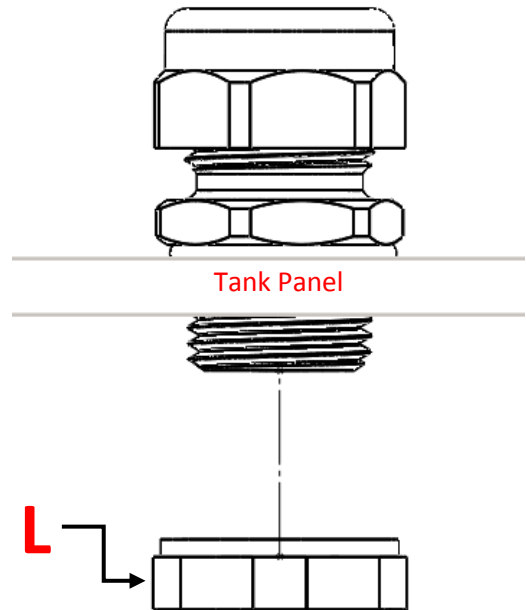


1. Drill a 7/8" clearance hole through the tank at a location conveniently reached from the tank hatch. This is for the cord grip (**J**).
2. Deburr both sides of the hole.
3. Drill a 3/8" clearance hole 2" from hole drilled in step 1. This is for the eye bolt (**F**).
4. Deburr both sides of the second hole.

5. Pass the o-ringed side of the cord grip (J) through the larger clearance hole, from the tank exterior.



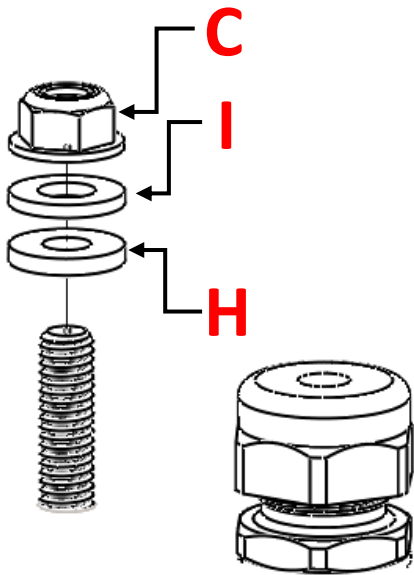
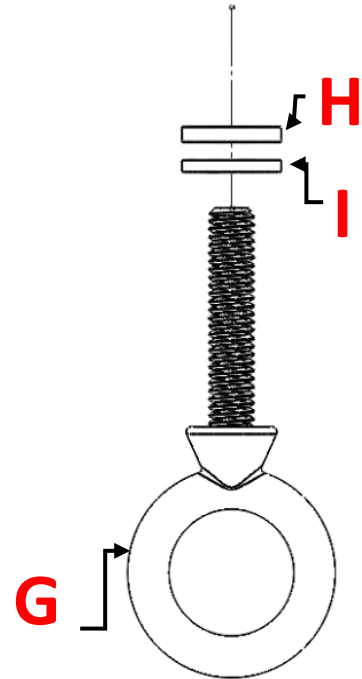
6. Fit the cord grip nut (L) on the threads protruding into the tank.



7. Tighten the nut until snug, being careful not to overtighten.

8. Fit the flat washer (I) onto the eye bolt (G).

9. Fit the sealing washer (H) onto the eye bolt (G).

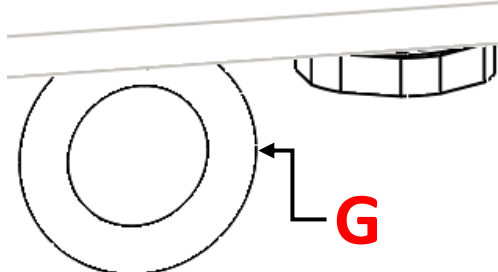


10. Insert the eye bolt (G) with washers (H, I) through the smaller hole, from tank interior.

11. Apply the second sealing washer (H).

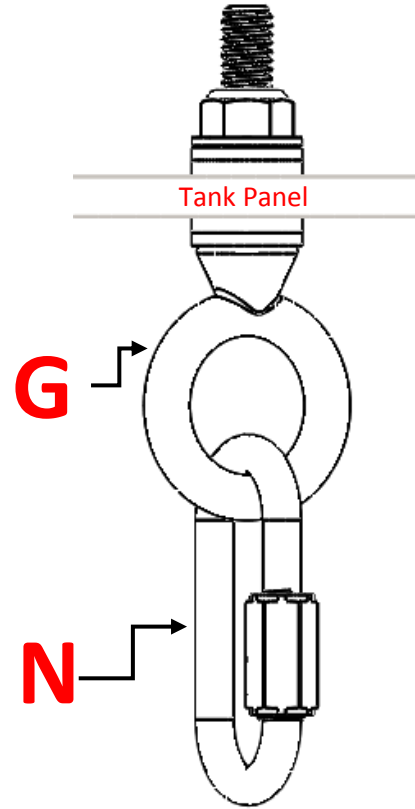
12. Apply the second flat washer (I).

13. Fit the nylon locknut (C).



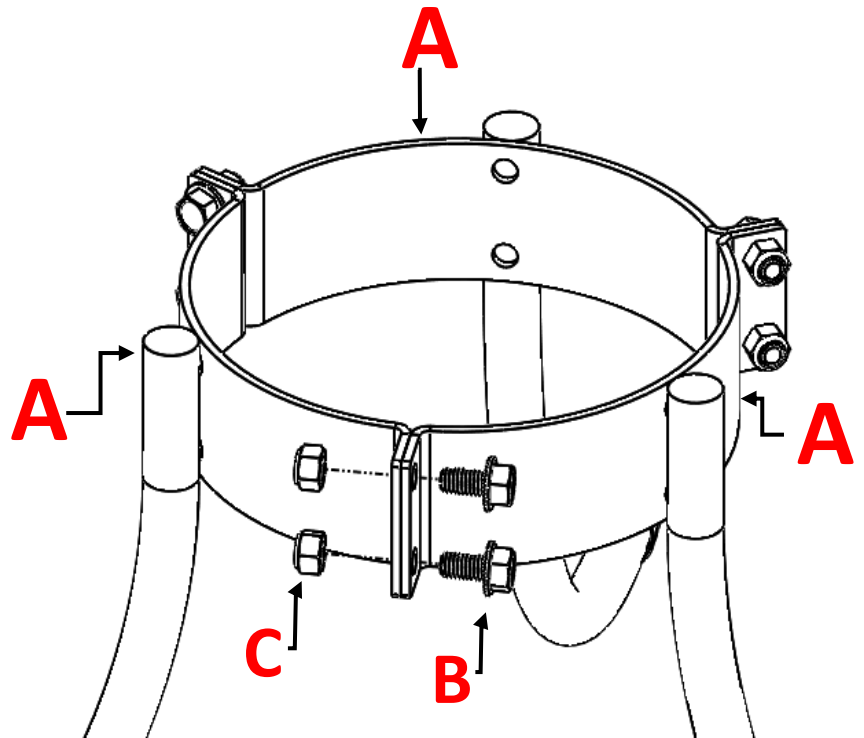
14. Tighten the locknut (C) until snug, being careful not to damage the sealing washers (H).

15. Attach top connecting link (N) to eyebolt (G).



## Base Assembly

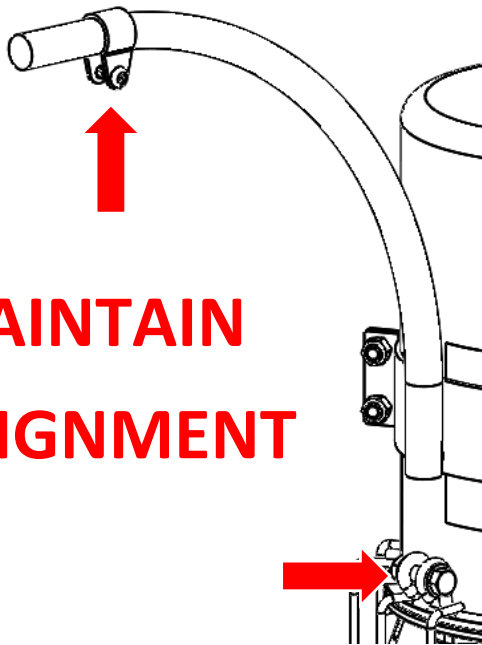
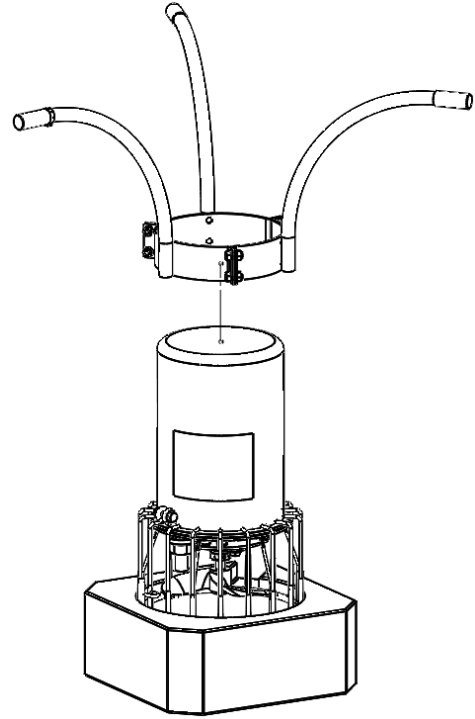
1. Assemble 3 mixer base legs (A) loosely to each other using a 5/16" bolt (B) and nut (C) in 6 places.





2. Place the mixing unit upside down on the foam packing from the mixer unit box.

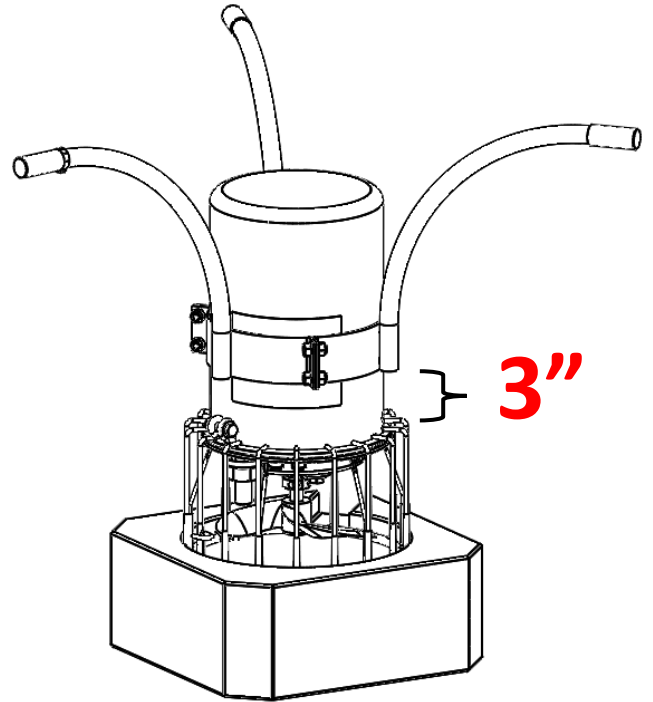
3. Slide the loosely assembled mixer base ring over the inverted mixer unit.



4. Orient the leg with the clamp ring in plane with the mixer cage clamp.

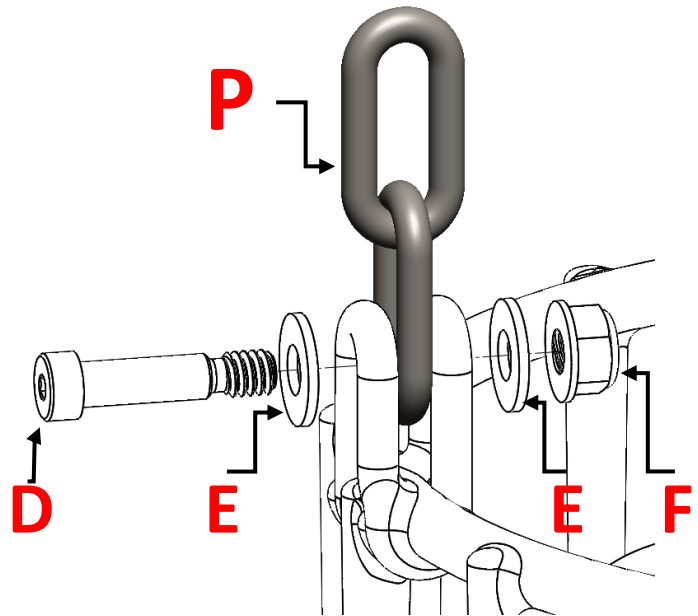
**MAINTAIN  
ALIGNMENT**

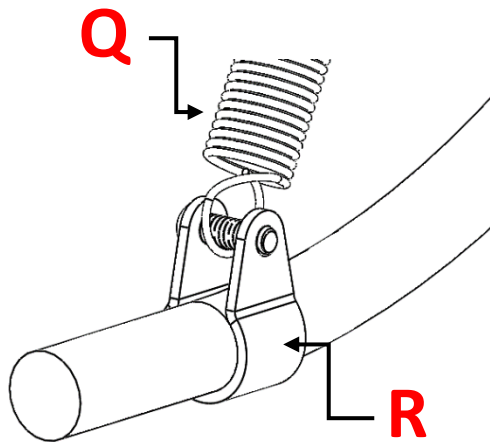
5. Position the mixer base ring approximately 3 inches from the bottom of the mixer unit cage.
6. Tighten the 6 – 5/16” bolts (B) to nuts (C) to secure the mixer base assembly to the mixer.



## Retrieval and Cord Assembly

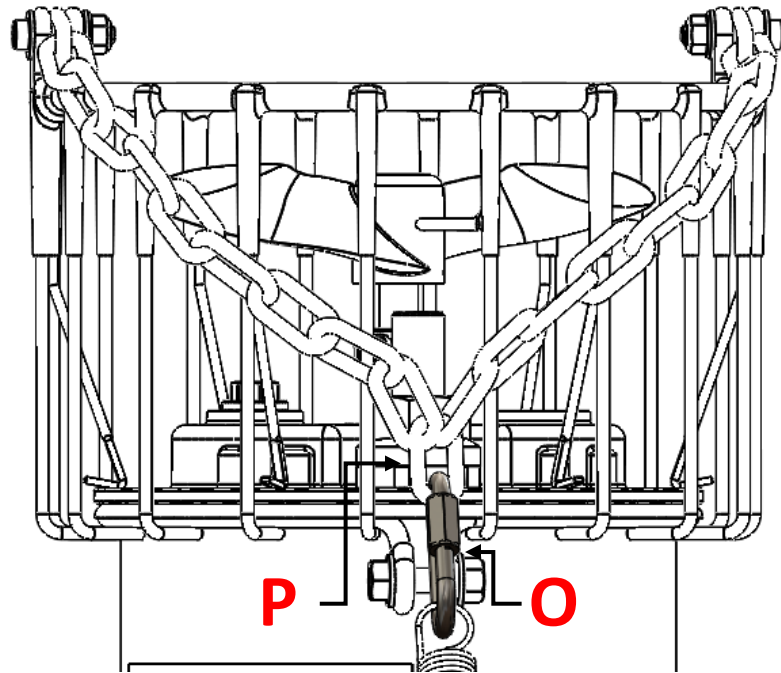
1. Place unit upright on its base assembly.
2. Insert end links of short retrieval chain (P) into tab slots on cage top ring.
3. Fasten chain to cage with ¼” shoulder bolt (D), ¼” flat washers (E), and ¼” nylon locknut (F).



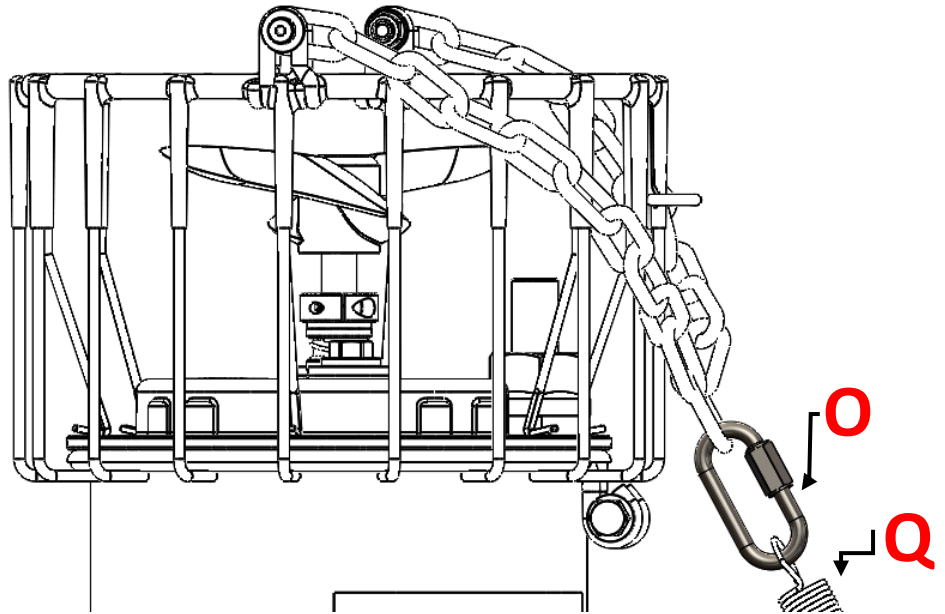


4. Attach spring (Q) to clamp ring (R) located on mixer base leg.

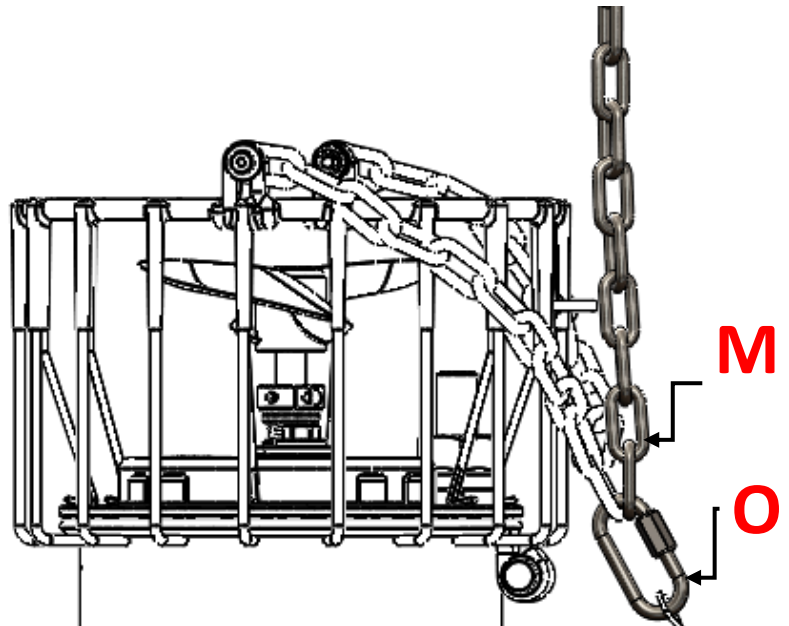
5. Attach lower connecting link (O) to the center chain link (P).



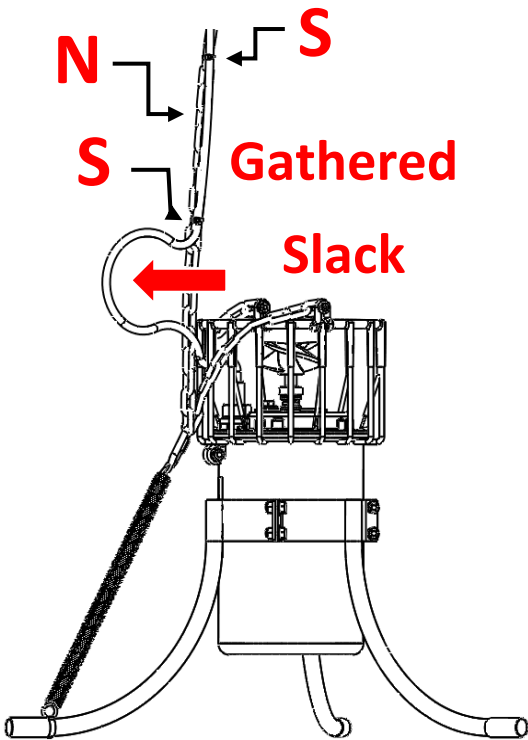
6. Attach lower connecting link (O) to the top spring loop (Q).



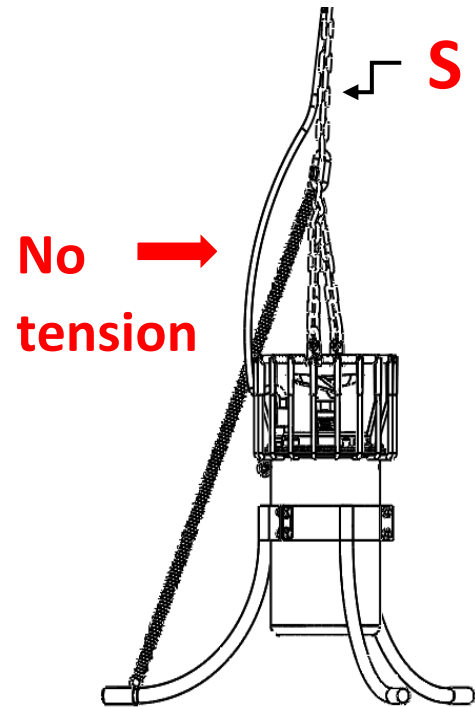
7. Attach the first link of the long retrieval chain (M) to the lower connecting link (O).



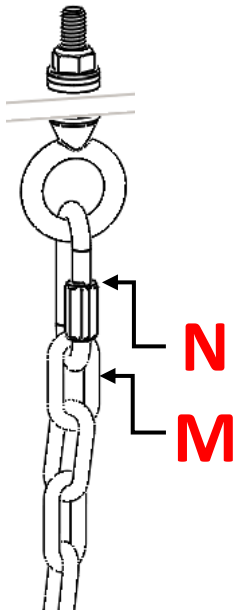
8. Tighten lower connecting link (O).



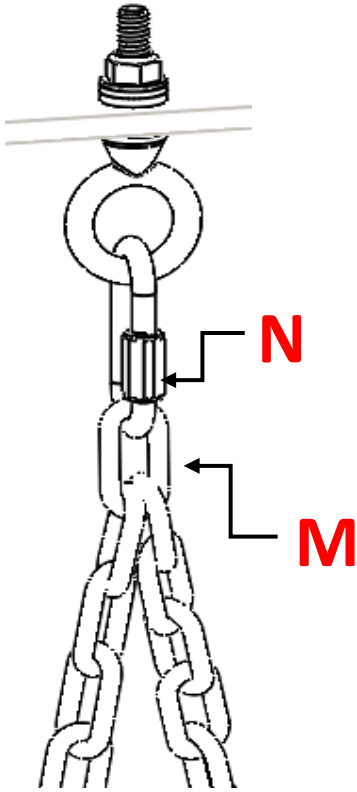
9. Start zip tying (**S**) mixer power cable to the long retrieval chain (**M**) near mixer base. Ensure there is enough gathered slack present in the cable so that lowering the mixer into the tank is done by the chain, and not the cable.



10. Continue to zip tie (**S**) the power cable and long retrieval chain (**M**) together approximately every 4 feet of the tank depth.



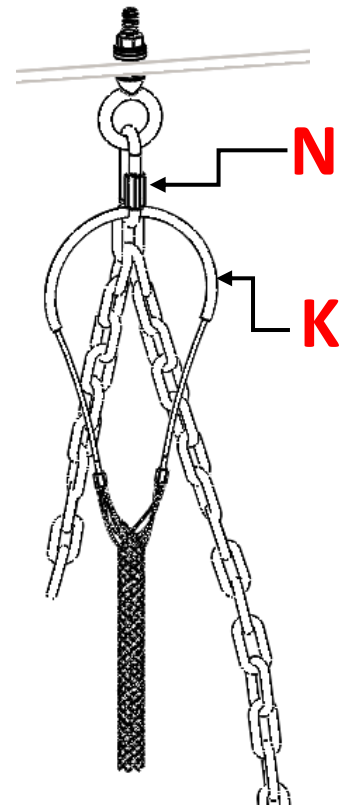
11. As a precaution against dropping the chain, attach last link of the long retrieval chain (**M**) to the top connecting link (**N**).
12. Lower unit into the tank while grasping both the top of the long retrieval chain (**M**), and power cable until mixer is positioned correctly on the floor of the tank.
13. Carefully, remove the long retrieval chain (**M**) from the top connecting link (**N**).
14. Remove excess slack from long retrieval chain (**M**), without adding tension.

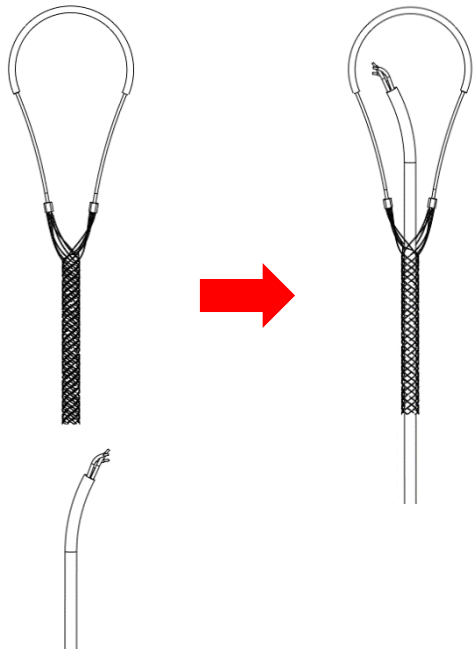


15. Reattach the long retrieval chain (**M**) onto the top connecting link (**N**).

16. Attach cable support (**K**) to top connecting link (**N**).

17. Tighten connecting link (**N**).





18. Push power cable from the bottom through the cable support (K).

19. Pass cable through the cord grip (J).

20. Pull excess power cable through cord grip (J) to the tank exterior, while ensuring enough cable stays inside the tank as not to add tension to the mixer base assembly.

21. Tighten top nut on cord grip (J) to seal the power cable penetration.

22. Terminate power cable into exterior junction box.

