



800 Deere Rd. Prescott, WI 54021 • 715-262-4488 • sales@kascomarine.com • www.kascomarine.com

CertiSafe™ Suspended Mount

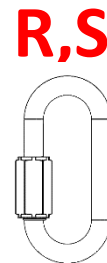
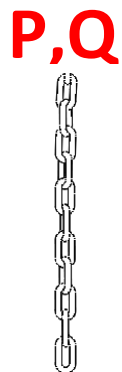
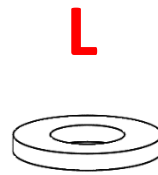
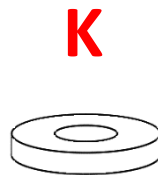
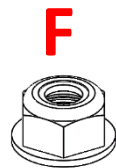
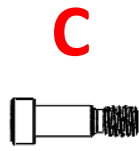
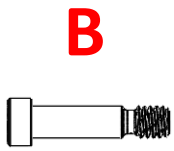
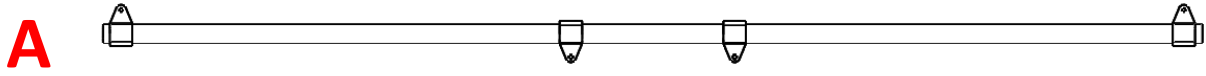


Table of Contents

Included Parts.....	Page 3
Installation Suggestions.....	Page 5
Tank Penetration.....	Page 6
Stretcher Assembly.....	Page 9
Suspension Chains and Power Cable.....	Page 11

Included Parts:

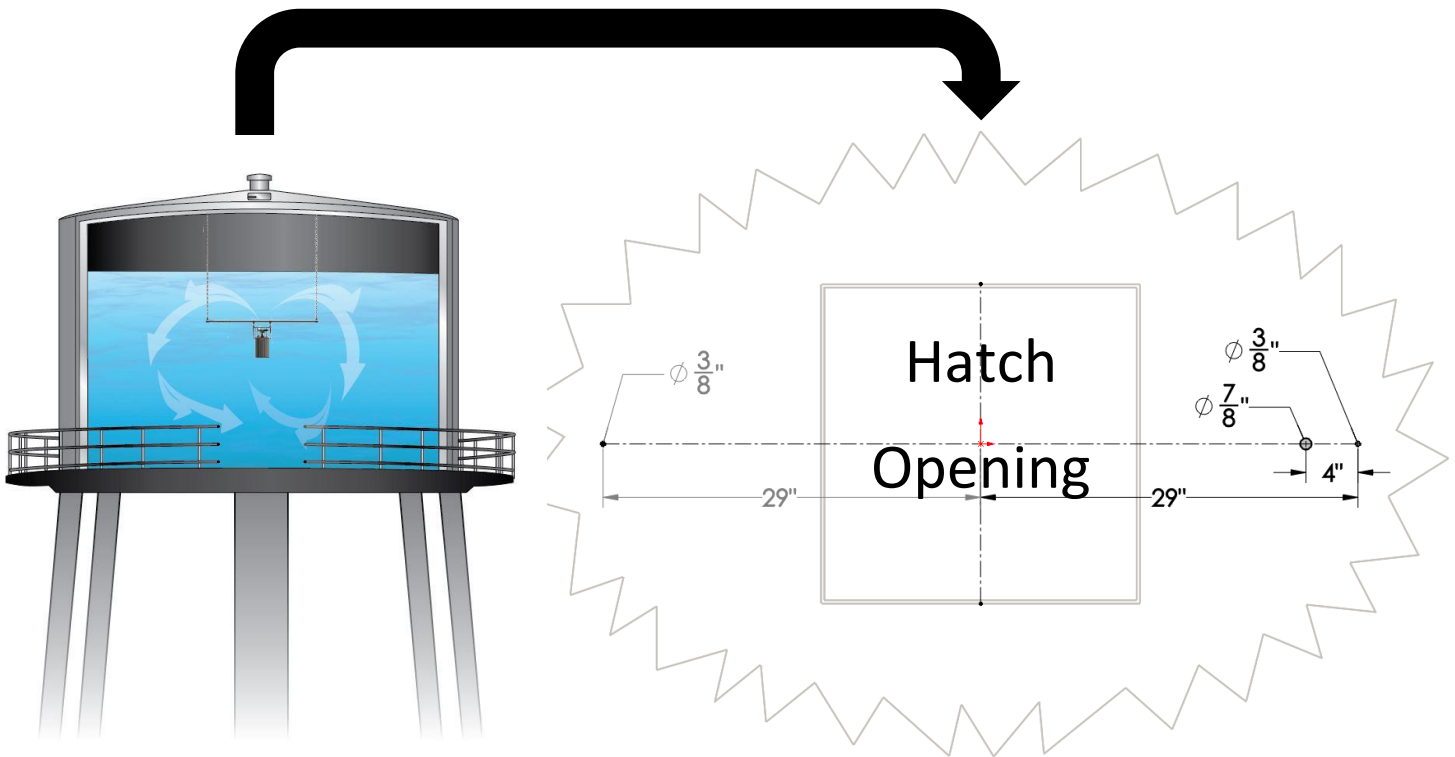
Assembly	Item	Designation	Part #	Qty
Stretcher	Stretcher bar	A	997310	1
	¼" bolt, ¾" shoulder	B	451110	2
	¼" bolt, ½" shoulder	C	451112	4
	¼" flat washer	D	258476	4
	¼" lock washer	E	840650	4
	¼" nylon locknut	F	451100	2
	Short connecting chain	G	636380	2
Tank	5/16" eyebolt	H	566226	1
Penetration	5/16" eyebolt	I	566226	1
	5/16" nylon locknut	J	566227	2
	Sealing washer	K	566229	4
	5/16" flat washer	L	261231	4
	Cord grip	M	997210, 997211, 997212	1
	Cable support	N	997220, 997221	1
	Cord grip nut	O	997215, 997216	1
Suspension Chain And Cable	Suspension chain	P	636380	1
	Suspension chain	Q	636380	1
	Left connecting link	R	636342	1
	Right connecting link	S	636342	1
	Zip ties	T	415038	12



Installation Suggestions:

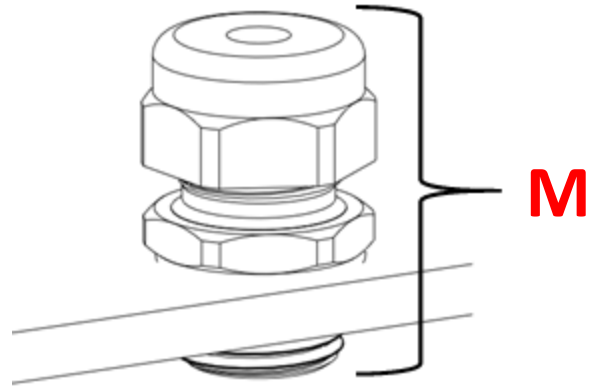
1. Installation is best attempted with at least 2 people.
2. Feed suspended assembly diagonally through the hatch.
3. Gently lower mixer assembly through hatch by the suspension chains.
4. Mixer should be positioned a minimum of 12 feet below water surface. This location is referred to as the “pre-determined length” of the suspension chains in the assembly instructions.
5. Consideration should be given to fluctuating water levels inside of tank.
6. Adequate clearance should be given between mixer assembly and fixed objects in the tank.

Tank Penetration

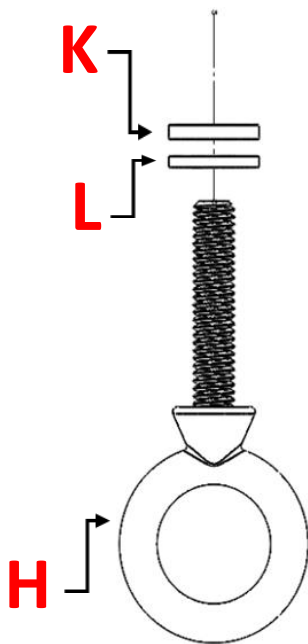
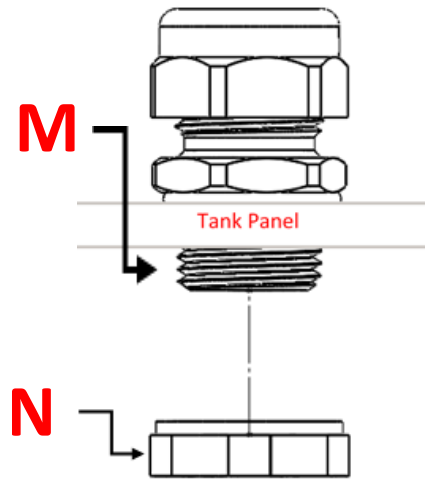


1. Drill (2) 3/8" clearance holes, each direction, 29" from hatch centerline. These are for the eye bolts (**H, I**).
2. Deburr both sides of both eye bolt holes.
3. Drill a 7/8" clearance hole located approximately 4" from either hole drilled in step 1. This is for the cord grip (**M**).

4. Deburr both sides of the cord grip hole.
5. Pass the o-ringed side of the cord grip (**M**) through the larger clearance hole (drilled in step 3) from the tank exterior.

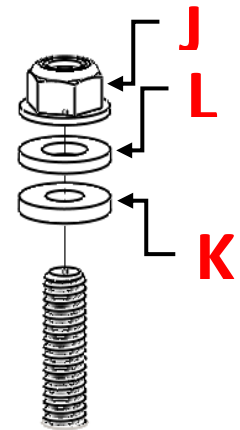


6. Fit the cord grip nut (**N**) on the threads protruding into the tank (**M**).
7. Tighten the nut until snug, being careful not to overtighten.



8. Fit the flat washer (**L**) onto the eye bolt (**H**).
9. Fit the sealing washer (**K**) onto the eye bolt (**H**).

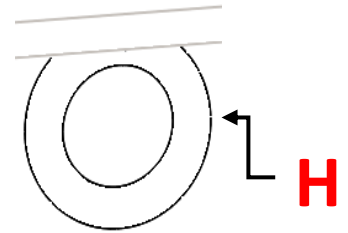
10. Insert the eye bolt (**H**) with washers (**L, K**) through the eye bolt hole furthest from the cord grip (**M**).



11. Apply the second sealing washer (**K**).

12. Apply the second flat washer (**L**).

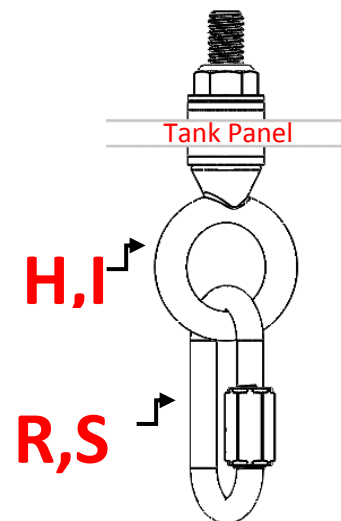
13. Fit the nylon locknut (**J**).



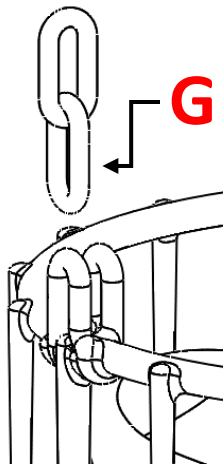
14. Tighten the nylon locknut (**J**) until snug, being careful not to damage the sealing washers (**K**).

15. Repeat steps 8 through 14 for the second eye bolt (**I**), and second hole (step 1) closest to cord grip (**M**).

16. Attach connecting links (**R and S**) to far and near eyebolts (**H and I**).

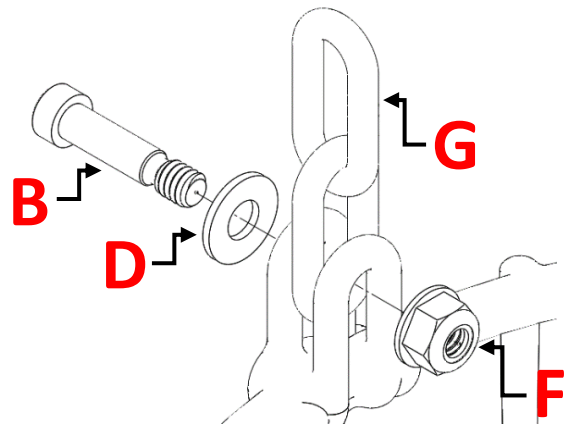


Stretcher Assembly



1. Insert short connecting chain (**G**) into mixer cage loops.

2. Secure connecting chain (**G**) with bolt (**B**), washer (**D**), and locknut (**F**).

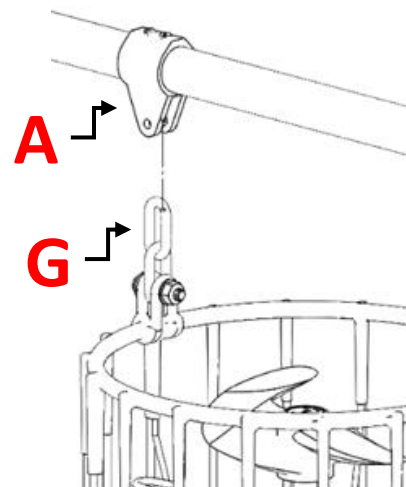


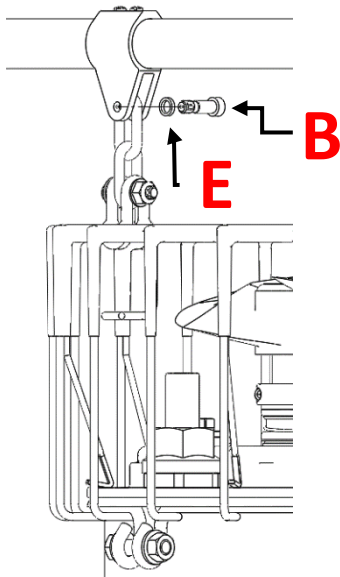
3. Repeat steps 1 and 2 for remaining cage loop,

connecting chain (**G**), bolt (**B**), washer (**D**), and locknut (**F**).

4. Tighten fasteners until snug, without overtightening.

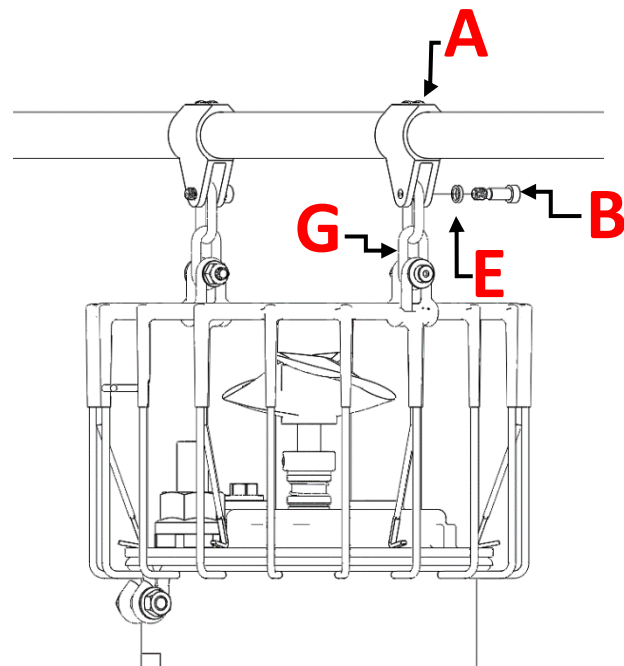
5. Insert 1 connecting chain loop (**G**) into stretcher bar (**A**) jaw slide.





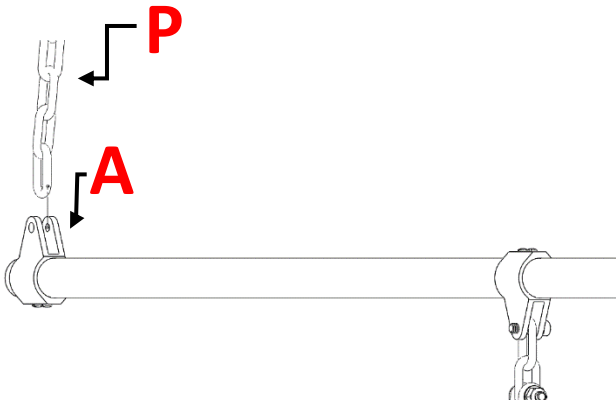
6. Apply shoulder bolt (B) and lock washer (E).

7. Repeat steps 5 and 6 for second stretcher bar jaw slide (A), connecting link (G), shoulder bolt (B) and lock washer (E).



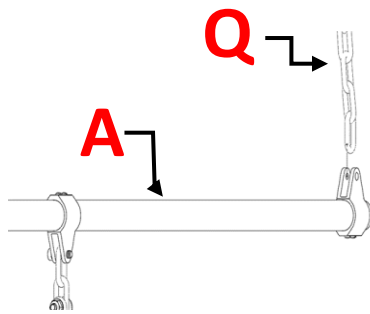
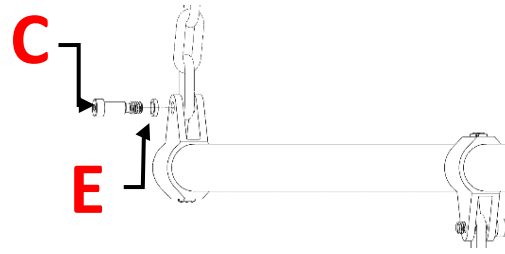
8. Tighten all fasteners until snug, without overtightening.

Suspension Chains and Power Cable



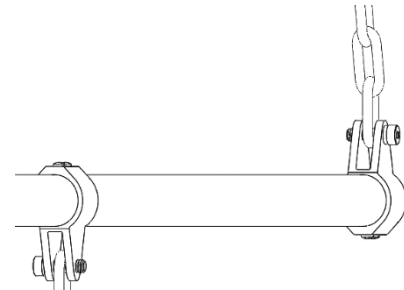
1. Insert one end of suspension chain (P) into the outermost jaw slide located on stretcher bar (A).

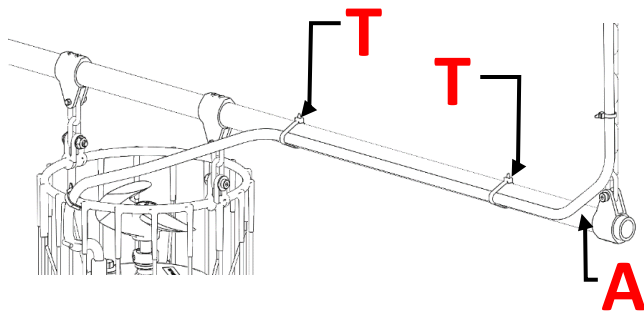
2. Apply the lock washer (E), and bolt (C).



3. Repeat steps 1 and 2 for the remaining suspension chain (Q), at the opposite end of stretcher bar (A).

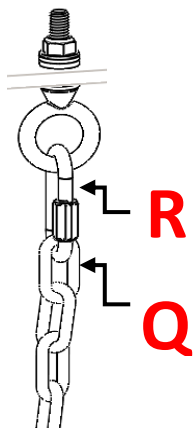
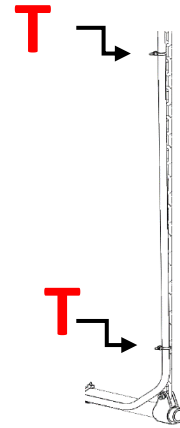
4. Tighten stretcher bar fasteners, taking care not to overtighten.





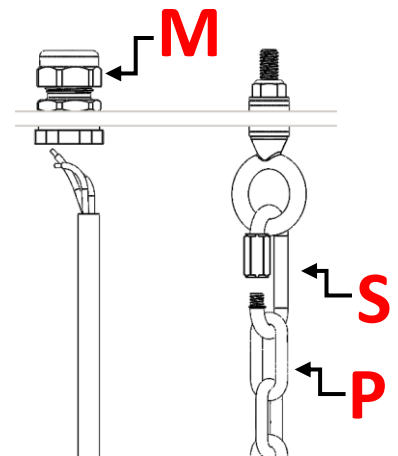
5. Apply zip ties (T) to stretcher bar (A) in two places making sure not to put undue tension on the power cable.

6. Continue to apply the zip ties (T) every 4' of suspended chain (P) and power cable length.



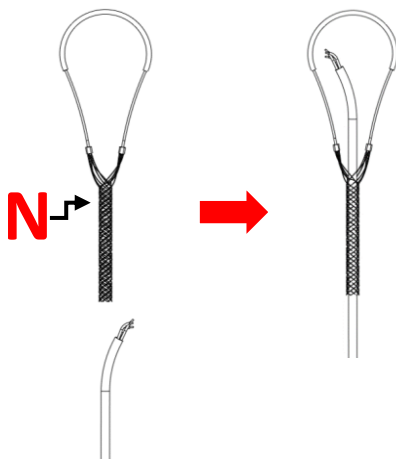
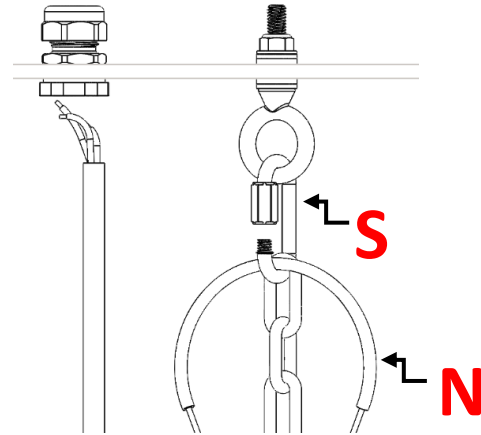
7. Attach the suspension chain (Q) (at pre-determined length) without the cord, to the connecting link (R) furthest from the cord grip (M).

8. Attach the suspension chain (P) (at pre-determined length) with the power cable to the connecting link (S) closest to the cord grip (M).



9. Attach the cable support (**N**) to the connecting link (**S**).

10. Close and tighten connecting link (**S**).



11. Feed power cable through the cable support (**N**).

12. Continue to feed power cable through cord grip (**M**), and out of the tank. Continue until all excess cord length has been taken up, only leaving enough as not to put strain on the cable.

13. Tighten top nut on cord grip (**M**) to seal the power cable penetration.

14. Terminate power cable into exterior junction box.

