



800 Deere Rd. Prescott, WI 54021 • 715-262-4488 • sales@kascomarine.com • www.kascomarine.com

CertiSafe™ Pipe Mount



Table of Contents

Parts Included.....	Page 3
Additional Parts Required.....	Page 3
Installation Suggestions.....	Page 5
Tank Penetration.....	Page 6
Pipe Mount Assembly.....	Page 9
Power Cable.....	Page 12

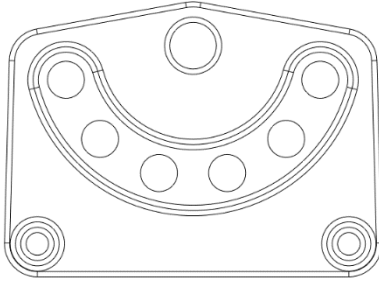
Parts Included:

Assembly	Item	Designation	Part #	Qty
	4-hole angle bracket	A	997147	1
	9-hole angle bracket	B	997137	1
	Mounting strap	C	997150	2
	5/16" x 2" bolt	D	997163	2
	5/16" lock washer	E	566235	2
	½" lock washer	F	997123	2
	½" x 1¼" bolt	G	997128	2
	Retaining ring	H	997155	2
Tank	5/16" eyebolt	I	566226	1
Penetration	5/16" nylon locknut	J	566227	1
	Sealing washer	K	566229	2
	5/16" flat washer	L	261231	2
	Cord grip	M	997210,997211,997212	1
	Cable support	N	997220,997221	1
	Cord grip nut	O	997215, 997216	1
	Connecting Link	P	636342	1
	Zip ties	Q	415038	6

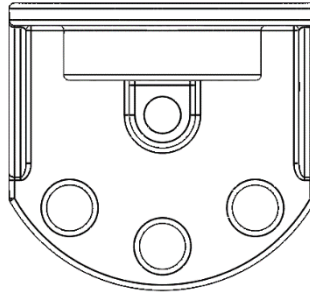
Additional Parts Required:

Item	Qty	Note
1½" threaded stainless pipe	1	Length not to exceed 10'
Bracket and hardware to mount pipe to tank.		

A



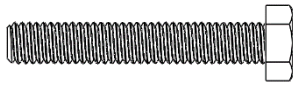
B



C



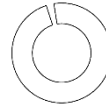
D



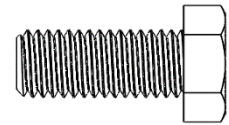
E



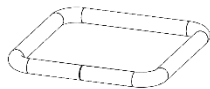
F



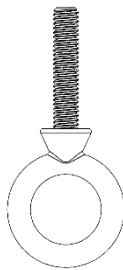
G



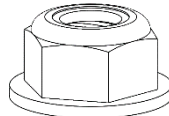
H



I



J



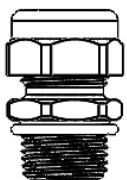
K



L



M



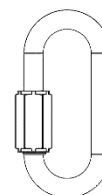
N



O



P



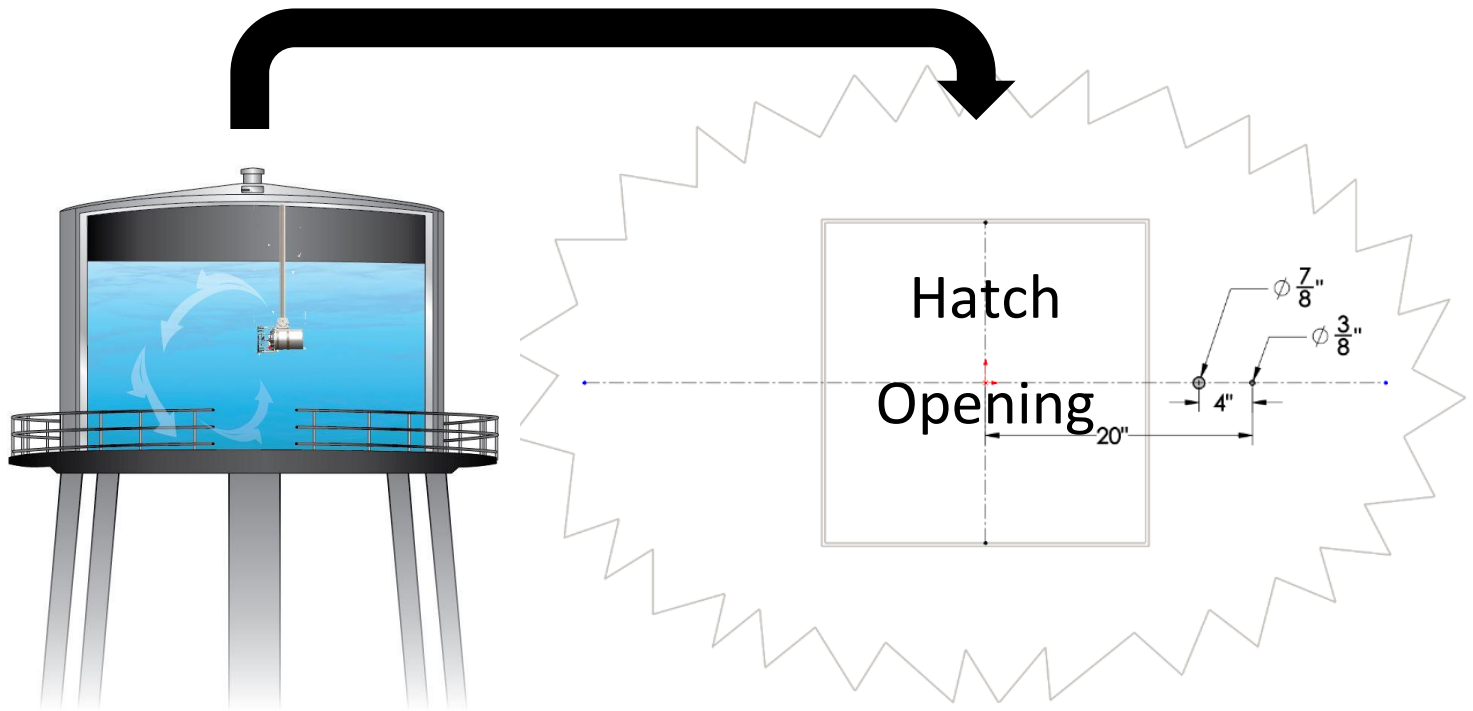
Q



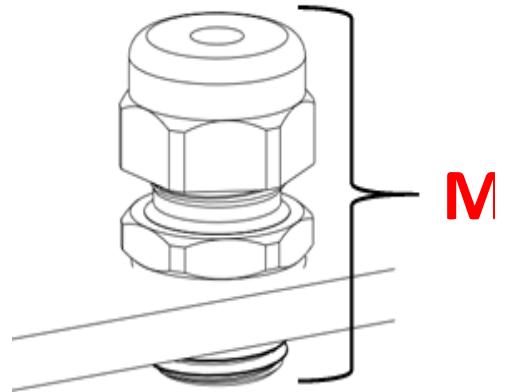
Installation Suggestions:

1. Installation is best attempted with at least 2 people.
2. Consideration should be given to fluctuating water levels inside of tank.
3. Adequate clearance should be given between mixer assembly and fixed objects in the tank.

Tank Penetration



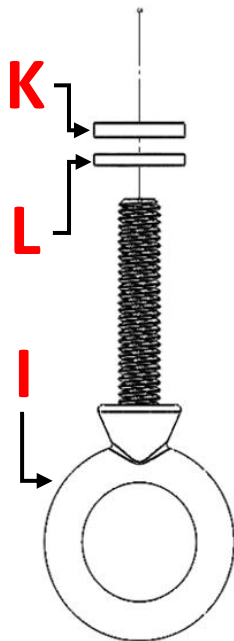
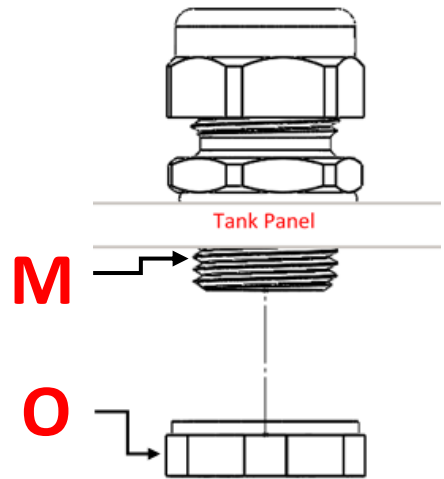
1. Drill 3/8" clearance hole, each direction, 20" from hatch centerline. This is for the eye bolt (**I**).
2. Deburr both sides of the eye bolt hole.
3. Drill a 7/8" clearance hole located approximately 4" nearer the hatch, from the hole drilled in step 1. This is for the cord grip (**M**).
4. Deburr both sides of the cord grip hole.



5. Pass the o-ringed side of the cord grip (**M**) through the larger clearance hole (step 3) from the tank exterior.

6. Fit the cord grip nut (**O**) on the threads protruding into the tank (**M**).

7. Tighten the nut until snug, being careful not to overtighten.



8. Fit the flat washer (**L**) onto the eye bolt (**I**).

9. Fit the sealing washer (**K**) onto the eye bolt (**I**).

10. Insert the eye bolt (**I**) with washers (**K**, **L**) through the eye bolt hole from the tank interior.

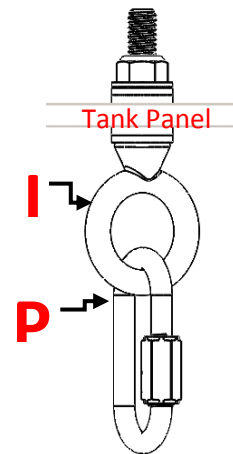
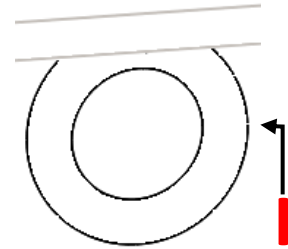
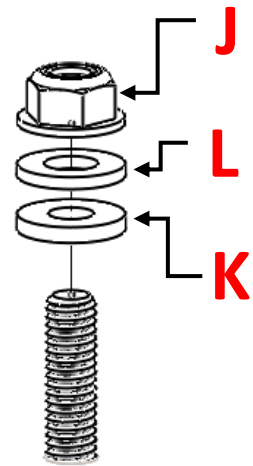
11. Apply the second sealing washer (**K**).

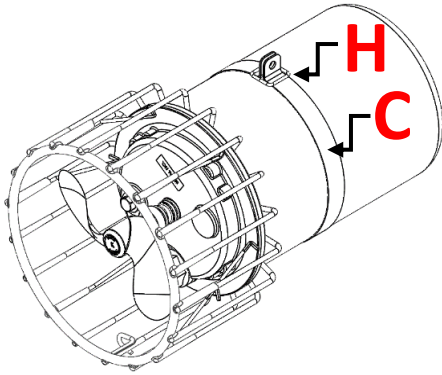
12. Apply the second flat washer (**L**).

13. Fit the nylon locknut (**J**).

14. Tighten the nylon locknut (**J**) until snug, being careful not to damage the sealing washers (**K**).

15. Attach connecting link (**P**) to eyebolt (**I**).

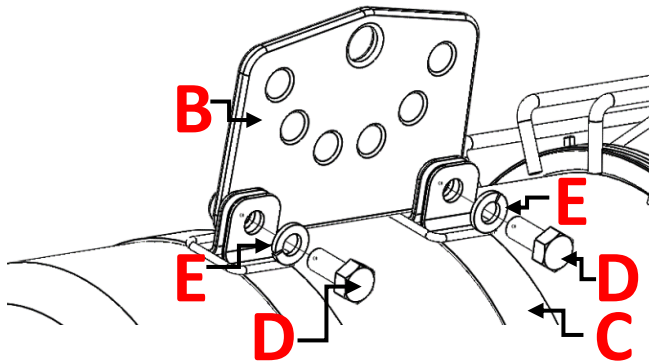
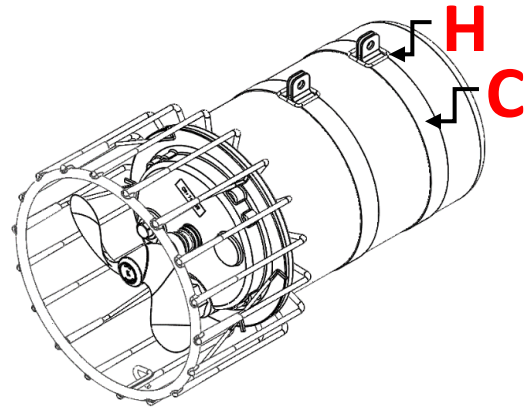




Pipe Mount Assembly

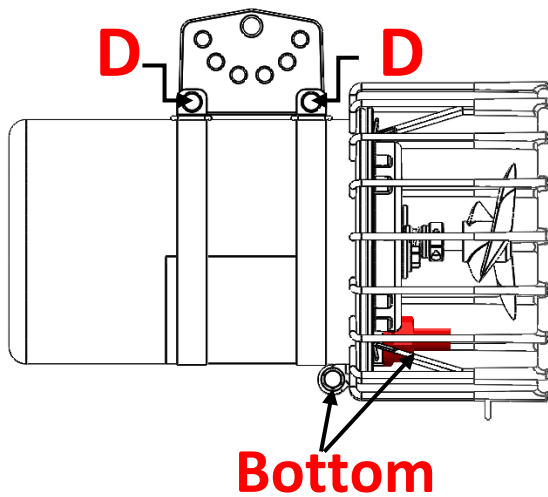
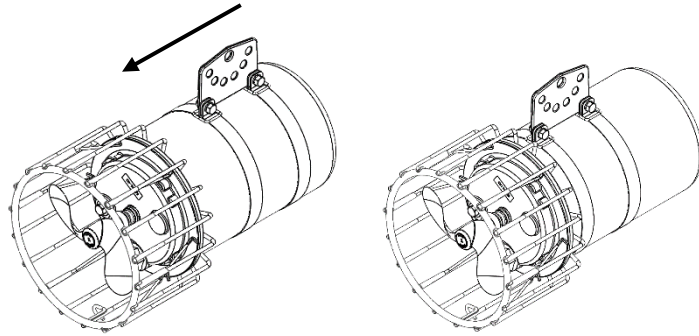
1. Install first mounting strap (C) around can using retaining ring (H).

2. Repeat for second mounting strap (C) and retaining ring (H).



3. Using bolts (D) and lock washers (E), loosely attach 9-hole angle bracket (B) to both mounting straps (C).

4. Slide strap-plate assembly towards the cage, allowing approximately 1" between the front strap and the lip of the can.



5. Rotate mixer that the cord and cage cinch are on the bottom.

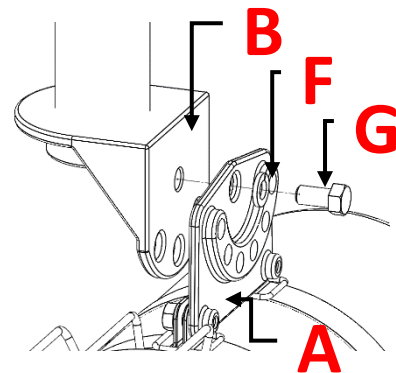
6. Tighten bolts (D) until snug, but don't overtighten.

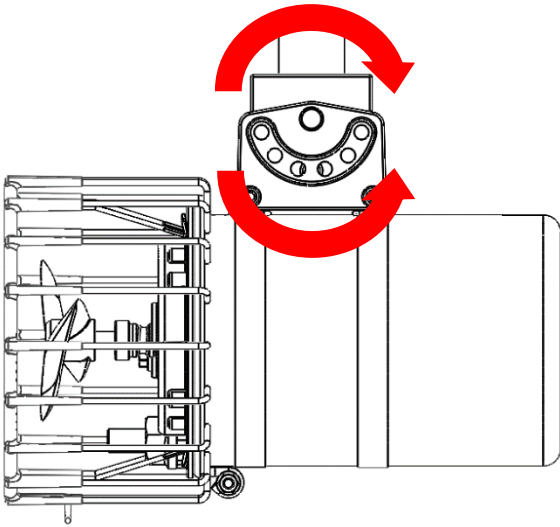


7. Thread 1 1/2" stainless pipe into 4-hole angle bracket (A).

8. Tighten with pipe wrench.

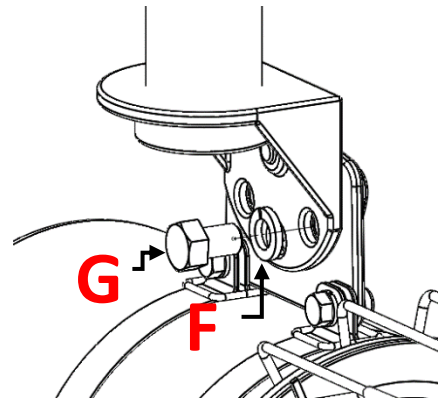
9. Loosely attach 4-hole angle bracket (A) to the 9-hole angle bracket (B) using lock washer (F), and bolt (G).



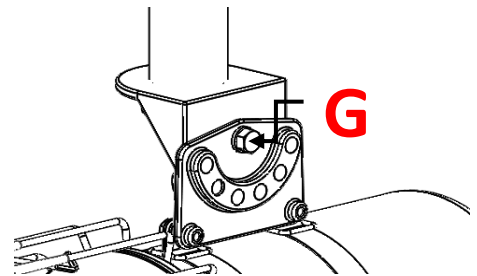


10. Rotate angle bracket (**A** or **B**) for intended mixer position.

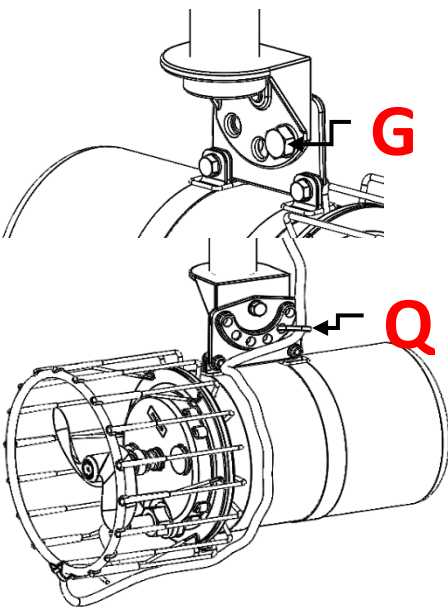
11. Insert lock washer (**F**), and bolt (**G**) into best aligned lower hole in angle brackets (**A** and **B**).



12. Tighten both bolts (**G**) until snug, without overtightening.



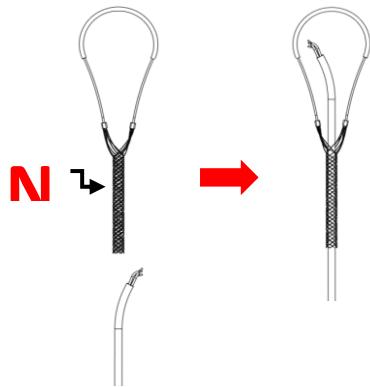
13. Zip tie cord from the mixing unit to one of the empty holes in the angle brackets (**A** and **B**)



Power Cable

1. Attach the cable support (**N**) to the connecting link (**O**).

2. Close and tighten connecting link (**O**).



3. Feed power cable through the cable support (**N**).

4. Continue to feed power cable through cord grip (**M**) to tank exterior until all excess cord length has been taken up, leaving only enough to not put strain on the cable.

5. Tighten top nut on cord grip (**M**) to seal the power cable penetration.

6. Terminate power cable into exterior junction box.

