

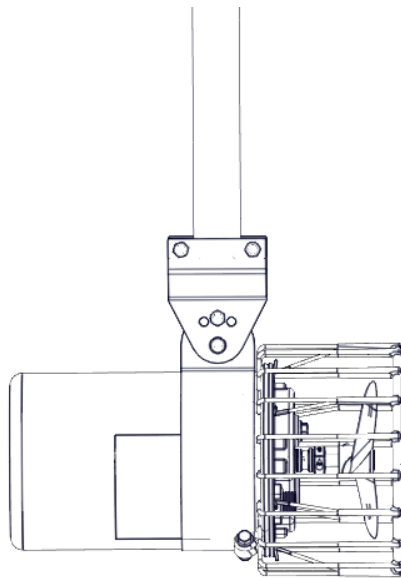
Quick Facts	
<p>Complete Package Includes:</p> <ul style="list-style-type: none"> • Motor Unit • Industrial Dock Mount Kit • UL, CSA & NEC Approved Underwater Rated Cable • Control Panel (Optional with U Models) 	<ul style="list-style-type: none"> • Total Package Listed by ETL to UL/CSA Standards • Salt Water Compatible • Packaged for Convenient Shipping
<p style="text-align: center;">Motor Unit</p> <ul style="list-style-type: none"> • 2HP, Voltage Operating Range of 208-240V, 3 Phase • 1750 RPM • Oil Cooled • Continuous Duty Rated • 17mm Top and 20mm Bottom Bearings • Fully Unitized Heavy-Duty Carbon Ceramic Mechanical Seal • Series 300 Austenitic Stainless-Steel Can • Engineering Grade Thermoplastic Top • Sacrificial Zinc Anode • Custom Engineered UV Resistant Thermoplastic 3-Blade Weedless Propeller • Stainless Steel Mounting Ring 	<p style="text-align: center;">Power Cable</p> <ul style="list-style-type: none"> • UL, CSA & NEC Approved Underwater Rated Cable • 4 Wire (L, L2, N, G) • Quick Disconnect • Stainless Steel Strain Relief • 6' Flex Sleeving Protection • Optional Flex Sleeving for entire cord length available
<p>CA-3235 Control Panel (Optional with U Models)</p> <ul style="list-style-type: none"> • UL Type 3r/4x Thermoplastic Enclosure • UL 508 Listed • GFCI Protection with 5ma Trip Level • Surge Protector • Motor Starter with Adjustable Overload • Hand-Off-Auto Switch • 24 Hour Mechanical Aerator Timer • Terminal Block Wiring • 5 Wire Power Required (L1, L2, L3, N, G) 	<p style="text-align: center;">Industrial Dock Mount - CID</p> <ul style="list-style-type: none"> • Complete 300 Series Stainless Steel Construction • Angling options for both in and out of water parts • User supplies 1.5" pipe, up to 10' long

Model #	HP	Cord Length (Feet)	Cord Gauge	Voltage/Phase/Hz	Running Amps	Lock Rotor Amps	Thrust (Lbs)	Min Depth of Operation (Feet)*	Number of Boxes**
2.3CID050	2	50	14/4	208-240V 3/60	5.6	40	56	4	4
2.3CID100		100	12/4						4
2.3CID150		150	14/4						4
2.3CID200		200	14/4						4
2.3CID250		250	12/4						4
2.3CID300		300	12/4						4
2.3CID400		400	10/4						4***
2.3CID500		500	10/4						4***

*Will operate in less depth, but may cause bottom disturbance

**U Models do not include the controller. Subtract 1 box and 19 lbs. from the total shipment weight.

*** Ships motor freight only.



CID unit with Industrial Mount