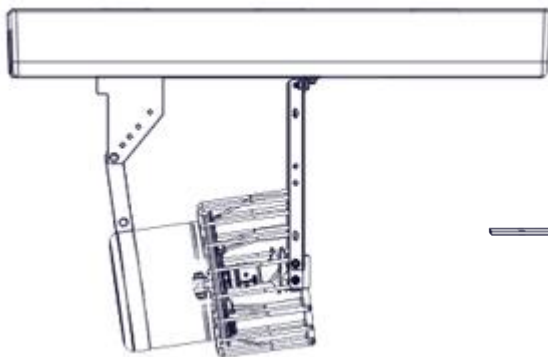


Quick Facts	
<p>Complete Package Includes:</p> <ul style="list-style-type: none"> • Motor Unit • Float with Mooring Lines or Dock Mount Kits • UL, CSA & NEC Approved Underwater Rated Cable 	<ul style="list-style-type: none"> • Total Package Listed by ETL to UL/CSA Standards • Salt Water Compatible • Packaged for Convenient Shipping
<p style="text-align: center;">Motor Unit</p> <ul style="list-style-type: none"> • 3/4HP, Operating Voltage of 120Vac, Single Phase • 1750 RPM • Oil Cooled • Continuous Duty Rated • 17mm Top and Bottom Bearings • Thermal Overload Protection • Fully Unitized Heavy-Duty Carbon Ceramic Mechanical Seal • Series 300 Austenitic Stainless-Steel Can • Engineering Grade Thermoplastic Top • Sacrificial Zinc Anode • Custom Engineered UV Resistant Thermoplastic 2-Blade Propeller • Coated, Stainless Steel Aerator Cage 	<p style="text-align: center;">Power Cable</p> <ul style="list-style-type: none"> • UL, CSA & NEC Approved Underwater Rated Cable • 3 Wire (L, N, G) • Quick Disconnect standard on 12 AWG & Larger Cords, & is optional on smaller gauge cords • Stainless Steel Strain Relief on 12 AWG & Larger Cords • 6' Flex Sleeving Protection • Optional Flex Sleeving for entire cord length available
<p style="text-align: center;">Optional Control Panel</p> <ul style="list-style-type: none"> • UL 508 Listed • UL Type 3r/4x Thermoplastic Enclosure • GFCI Protection with 5ma Trip Level • 24 Hour Mechanical Aerator Timer • 120V Plug on 3' Power Cord 	<p style="text-align: center;">Float - CF</p> <ul style="list-style-type: none"> • UV Resistant Linear Low-Density Polyethylene • Single Piece Float • 300 Series Stainless Steel Hardware • Three 50' Braided Nylon Mooring Ropes
<p style="text-align: center;">Optional Control Panel</p> <ul style="list-style-type: none"> • UL 508 Listed • UL Type 3r/4x Thermoplastic Enclosure • GFCI Protection with 5ma Trip Level • 24 Hour Mechanical Aerator Timer • 120V Plug on 3' Power Cord 	<p style="text-align: center;">Universal Dock Mount -CUD (Optional)</p> <ul style="list-style-type: none"> • Complete 300 Series Stainless Steel Construction • Angling options for both in and out of water parts • User supplies 1" pipe, up to 10' long <p style="text-align: center;">Industrial Dock Mount - CID (Optional)</p> <ul style="list-style-type: none"> • Complete 300 Series Stainless Steel Construction • Angling options for both in and out of water parts • User supplies 1.5" pipe, up to 10' long

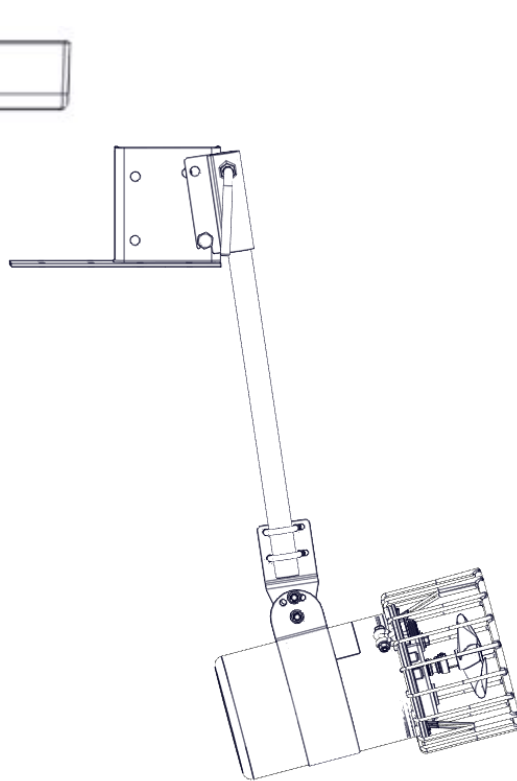
Model #	HP	Cord Length (Feet)	Cord Gauge*	Voltage/Phase/Hz	Running Amps	Lock Rotor Amps	Thrust (Lbs)	Min Depth of Operation (Feet)**	Number of Boxes
3400CF050	3/4	50	16/3	120V 1/60	6.7	18	36	4	2
3400CF100		100	14/3						2
3400CF150		150	12/3						3
3400CF200		200	12/3						3
3400CUD050		50	16/3						2
3400CUD100		100	14/3						2
3400CUD150		150	12/3						3
3400CUD200		200	12/3						3
3400CID050		50	16/3						2
3400CID100		100	14/3						2
3400CID150		150	12/3						3
3400CID200		200	12/3						3

*12AW & larger cords include quick disconnect and stainless steel strain relief.

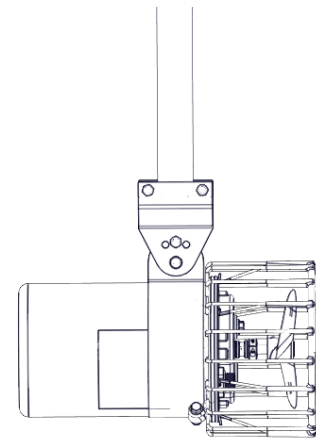
**Will operate in less depth, but may cause bottom disturbance



CF unit with Float



CUD unit with Universal Mount



CID unit with Industrial Mount