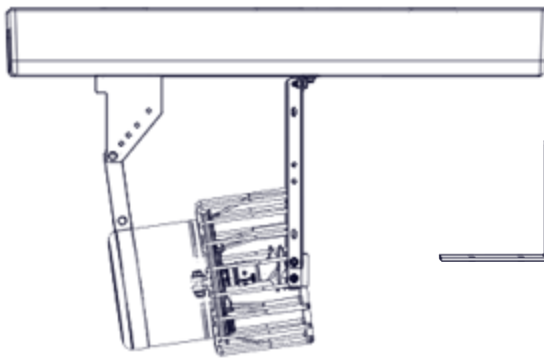


<b>Quick Facts</b>	
<p>Complete Package Includes:</p> <ul style="list-style-type: none"> <li>• Motor Unit</li> <li>• Float with Mooring Lines or Dock Mount Kits</li> <li>• UL, CSA &amp; NEC Approved Underwater Rated Cable</li> </ul>	<ul style="list-style-type: none"> <li>• Total Package Listed by ETL to UL/CSA Standards</li> <li>• Salt Water Compatible</li> <li>• Packaged for Convenient Shipping</li> </ul>
<p style="text-align: center;"><b>Motor Unit</b></p> <ul style="list-style-type: none"> <li>• 1HP, Operating Voltage of 120Vac, Single Phase</li> <li>• 1750 RPM</li> <li>• Oil Cooled</li> <li>• Continuous Duty Rated</li> <li>• 17mm Top and Bottom Bearings</li> <li>• Thermal Overload Protection</li> <li>• Fully Unitized Heavy-Duty Carbon Ceramic Mechanical Seal</li> <li>• Series 300 Austenitic Stainless-Steel Can</li> <li>• Engineering Grade Thermoplastic Top</li> <li>• Sacrificial Zinc Anode</li> <li>• Custom Engineered UV Resistant Thermoplastic 4-Blade Propeller</li> <li>• Coated, Stainless Steel Aerator Cage</li> </ul>	<p style="text-align: center;"><b>Power Cable</b></p> <ul style="list-style-type: none"> <li>• UL, CSA &amp; NEC Approved Underwater Rated Cable</li> <li>• 3 Wire (L, N, G)</li> <li>• Quick Disconnect standard on 12 AWG &amp; Larger Cords, &amp; is optional on smaller gauge cords</li> <li>• Stainless Steel Strain Relief on 12 AWG &amp; Larger Cords</li> <li>• 6' Flex Sleeving Protection</li> <li>• Optional Flex Sleeving for entire cord length available</li> </ul>
<p style="text-align: center;"><b>Optional Control Panel</b></p> <ul style="list-style-type: none"> <li>• UL 508 Listed</li> <li>• UL Type 3r/4x Thermoplastic Enclosure</li> <li>• GFCI Protection with 5ma Trip Level</li> <li>• 24 Hour Mechanical Aerator Timer</li> <li>• 120V Plug on 3' Power Cord</li> </ul>	<p style="text-align: center;"><b>Float - CF</b></p> <ul style="list-style-type: none"> <li>• UV Resistant Linear Low-Density Polyethylene</li> <li>• Single Piece Float</li> <li>• 300 Series Stainless Steel Hardware</li> <li>• Three 50' Braided Nylon Mooring Ropes</li> </ul>
<p style="text-align: center;"><b>Universal Dock Mount -CUD (Optional)</b></p> <ul style="list-style-type: none"> <li>• Complete 300 Series Stainless Steel Construction</li> <li>• Angling options for both in and out of water parts</li> <li>• User supplies 1" pipe, up to 10' long</li> </ul>	<p style="text-align: center;"><b>Industrial Dock Mount - CID (Optional)</b></p> <ul style="list-style-type: none"> <li>• Complete 300 Series Stainless Steel Construction</li> <li>• Angling options for both in and out of water parts</li> <li>• User supplies 1.5" pipe, up to 10' long</li> </ul>

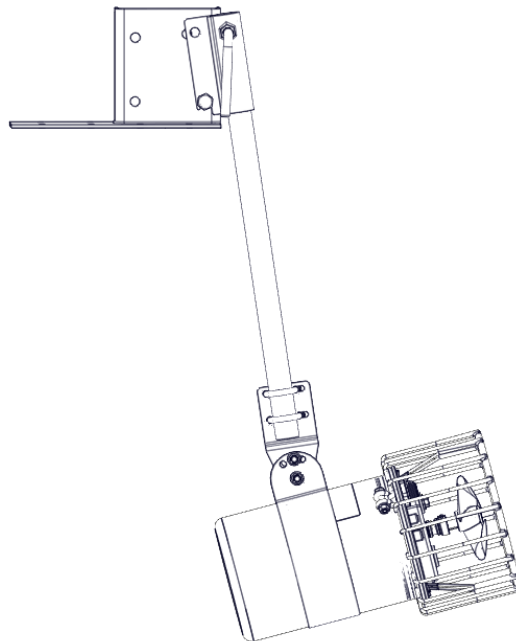
Model #	HP	Cord Length (Feet)	Cord Gauge*	Voltage/Phase/Hz	Running Amps	Lock Rotor Amps	Thrust (Lbs)	Min Depth of Operation (Feet)**	Number of Boxes
4400CF050	1	50	14/3	120V 1/60	9.1	18	44	4	2
4400CF100		100	12/3						3
4400CF150		150	10/3						3
4400CF200		200	10/3						3
4400CUD050		50	14/3						2
4400CUD100		100	12/3						3
4400CUD150		150	10/3						3
4400CUD200		200	10/3						3
4400CID050		50	14/3						2
4400CID100		100	12/3						3
4400CID150		150	10/3						3
4400CID200		200	10/3						3

\*12AW & larger cords include quick disconnect and stainless steel strain relief.

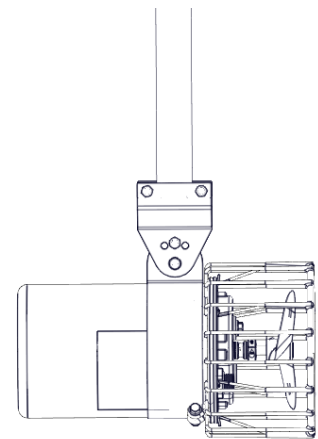
\*\*Will operate in less depth, but may cause bottom disturbance.



CF unit with Float



CUD unit with Universal Mount



CID unit with Industrial Mount