

# MOUNTING BRACKET INSTALLATION

## For RobustAire™ Small Cabinet

### Kit 774300

Attach the mounting bracket to a post or vertical wall (shed) with electrical service.

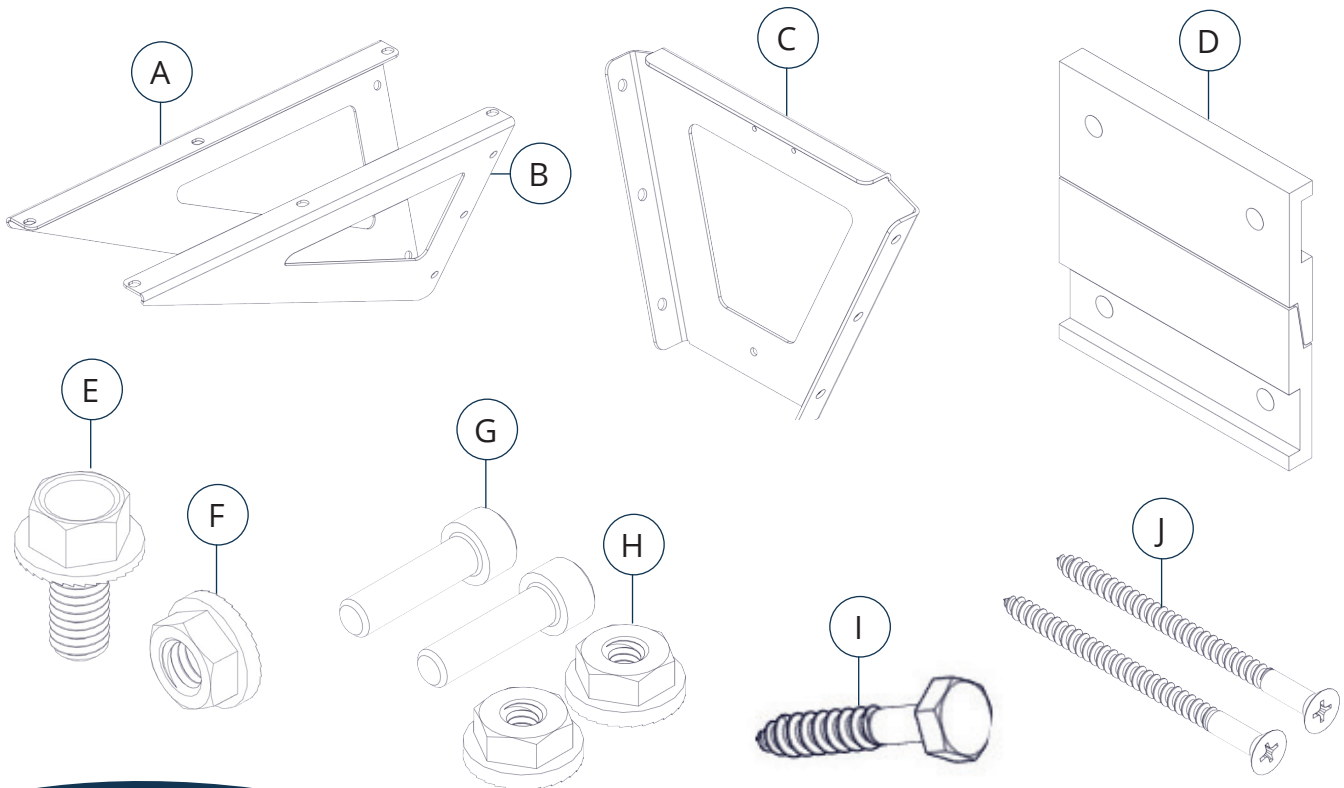
Place the cabinet adjacent to the electrical service which will power the system. The cabinet has a 6-foot power cord with a plug. **DO NOT USE EXTENSION CORDS.**



NOTE For remote manifold installation information, see supplementary instruction sheet.

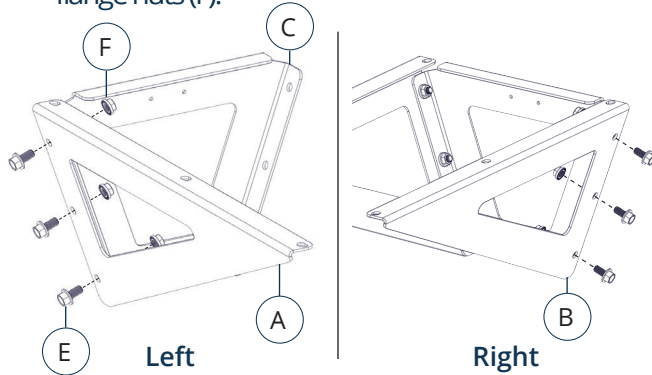
### PARTS INCLUDED

ID	Description	Qty	Part No.
A	Left shelf bracket	1	774301
B	Right shelf bracket	1	774302
C	Wall mount bracket	1	774303
D	Cleat hanger bracket	1	774304
E	3/8-16 x 3/4" serrated flange screw	17	840542
F	3/8-16 serrated flange nut	17	840532
G	8-32 x 5/8" socket head cap screw	2	938563
H	8-32 serrated flange nut	2	840101
I	1/4 x 1-1/2" lag screw	1	774282
J	8 x 2-1/2" wood screw	2	774308

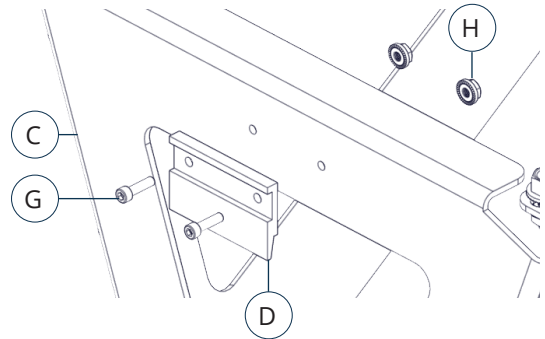


# MOUNTING BRACKET INSTALLATION

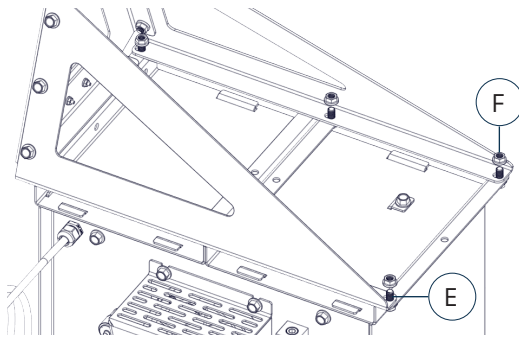
- 1** Use a 9/16" wrench to attach the left shelf bracket (A) to the wall mount bracket (C) using three serrated flange screws (E) and 3/8-16 serrated flange nuts (F).



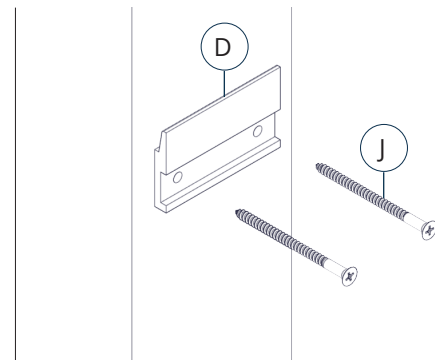
- 2** Use a 9/64 Allen wrench to attach one part of the cleat hanger (D), with the lip down, to the wall mount bracket (C) using the cap screws (G) and 8-32 serrated flange nuts (H).



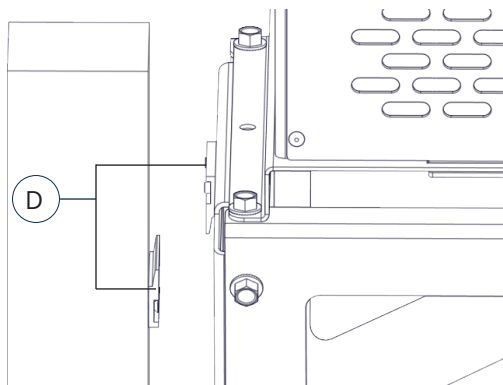
- 3** Place the cabinet upside down. Align the holes on the Post Mount with the holes on the bottom of the cabinet and secure using six serrated flange screws (E) and 3/8-16 serrated flange nuts (F).



- 4** Attach the second part of the cleat hanger (D), with the lip up, to a wall or post using the wood screws (J).



- 5** Attach the mount to the wall or post by interlocking the lips of the cleat hanger (D).



- 6** Secure the bottom of the wall mount bracket (C) to the wall or post using the lag screw (I).

