

INSTRUCTIONS FOR REMOTE MANIFOLD INSTALLATION

RobustAire™ Small Cabinet Systems

RobustAire™ systems with the optional remote manifold have a single air line exiting the compressor. Follow the instructions below to assemble and install the remote manifolds.

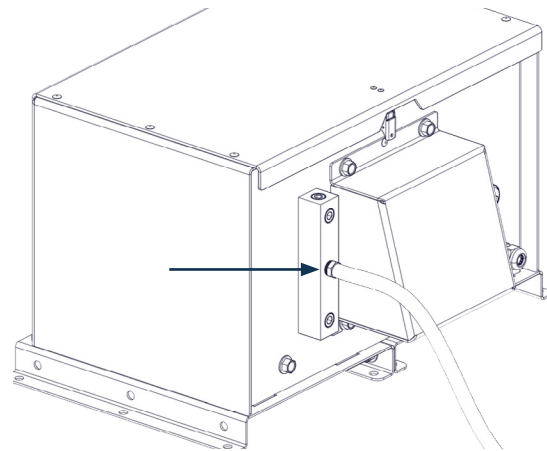
Suggested Tools & Supplies

- Shovel or other trenching tools
- Pliers (for hose clamp installation)
- Valve box (included)

NOTE Both the RobustAire Small Cabinet and remote manifold are equipped with 3/8 in. barb fittings. Installation requires 3/8 in. weighted or poly tubing.

- 1** Place the assembly directly on the ground or attach it to a concrete pad. Use the holes on the bottom flanges to anchor the cabinet.

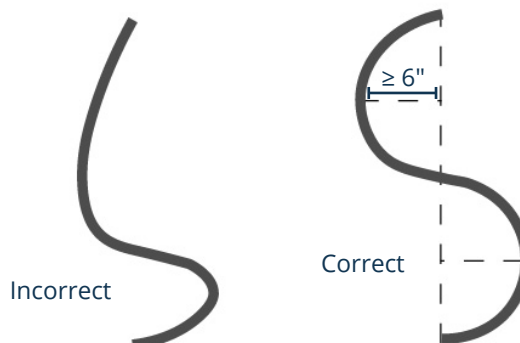
Connect one end of the SureSink tubing to the cabinet fitting on the exhaust manifold located on the back of the cabinet.



- 2** You will need to excavate a trench 6" to 8" deep to bury the CPVC air line. Start by determining the path of the trench from the RobustAire™ system to an area near the shore. The path should be as straight as possible, with a gentle downward slope towards the water.

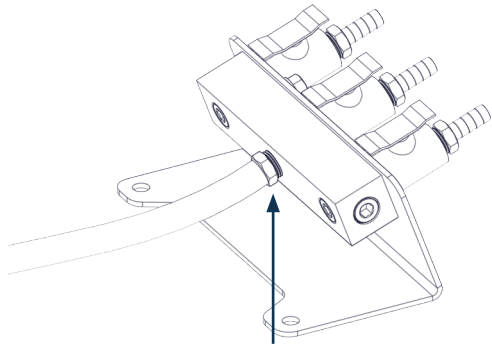
Excavate an area large enough to bury the valve box. Add crushed rock to the bottom of the area to allow for necessary drainage.

NOTE Be sure that the area of excavation does not require tight bends in the tubing. Allow a 6" radius for any bend.

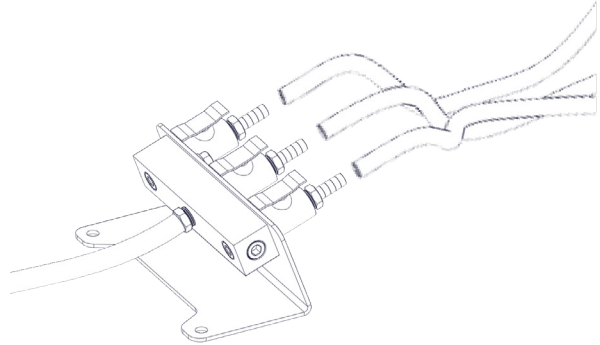


REMOTE MANIFOLD INSTALLATION

- 3 Place the remote manifold inside of the excavated area where the valve box will go. Connect the other end of the SureSink tubing to the back of the manifold.



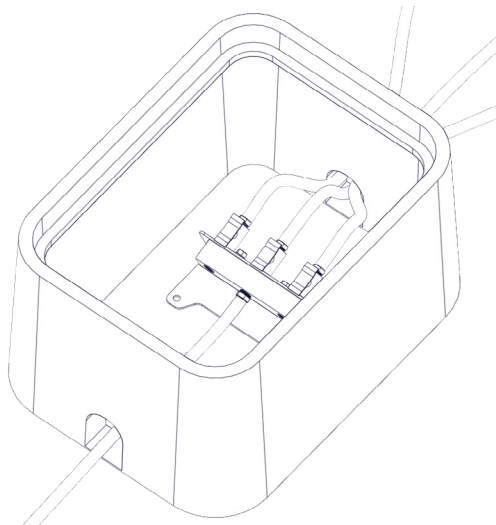
- 4 Connect the free ends of the diffuser tubing to the manifold valves. Run the diffuser lines into the water.



CAUTION: In climates where the ground freezes, be sure there are no high or low spots in the CPVC air line. Condensation in the air line may freeze and block the flow of air to diffusers and/or damage compressors.

The Small Cabinet system requires a single trench to and from the manifold.

- 5 Place the included valve box over the manifold assembly and fill around the box and the entire length of the trench with the excavated dirt. The lid of the valve box should be flush with the ground.



NOTE Following installation of systems with multiple diffusers, use the valves to balance flow to each diffuser.