

MOUNTING BRACKET INSTALLATION

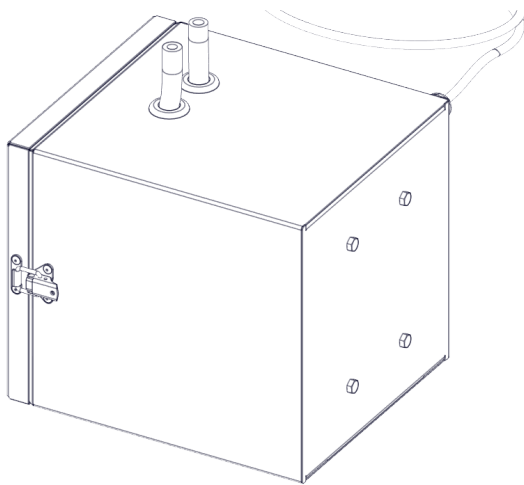
For Home Series Cabinet

Kit 774440

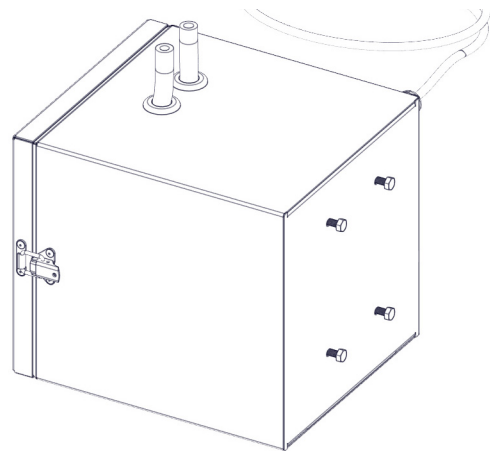
Attach the mounting bracket to a post or vertical wall (shed) with electrical service.

Place the cabinet adjacent to the electrical service which will power the system. The cabinet has a 6-foot power cord with a plug. **DO NOT USE EXTENSION CORDS.**

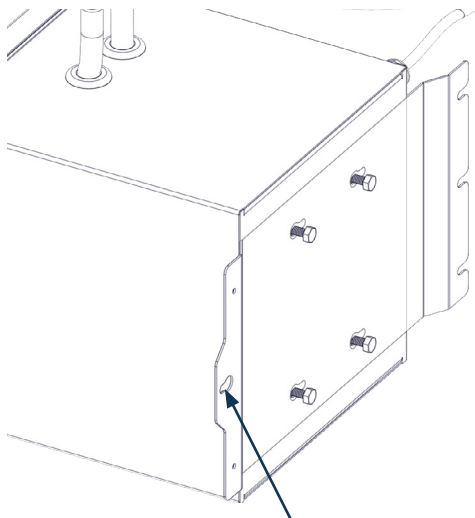
- 1 Place the cabinet on its side with the diffuser tubing connections facing up.



- 2 Use a 7/16" socket or wrench to loosen the four bolts on the bottom of the cabinet until they are sticking out 1/8".

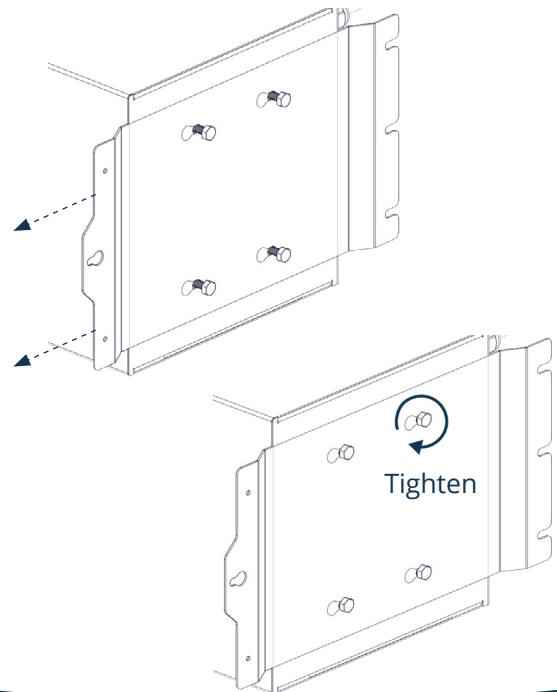


- 3 Place the mounting bracket over the bolt heads.



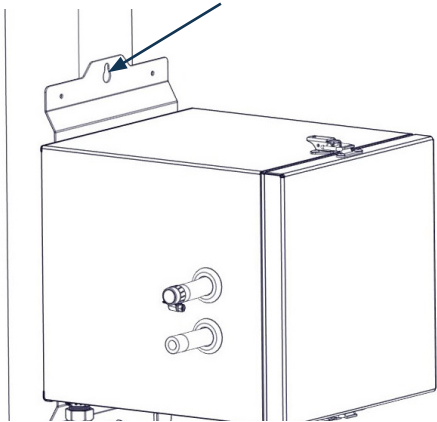
The single mounting hole on the bracket should be on the opposite side of the power cord.

- 4 Slide the bracket until the bolt heads are interlocked with the narrow grooves. Tighten bolts with 7/16" socket or wrench.

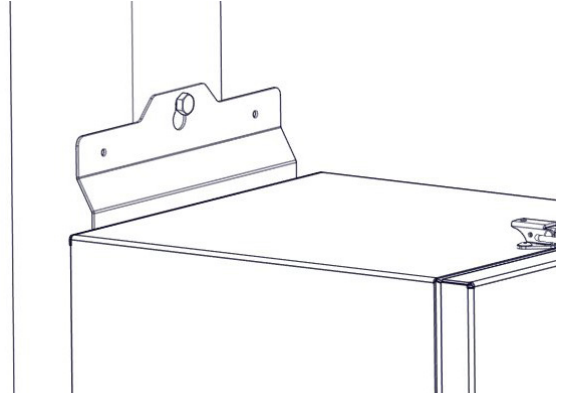


MOUNTING BRACKET INSTALLATION

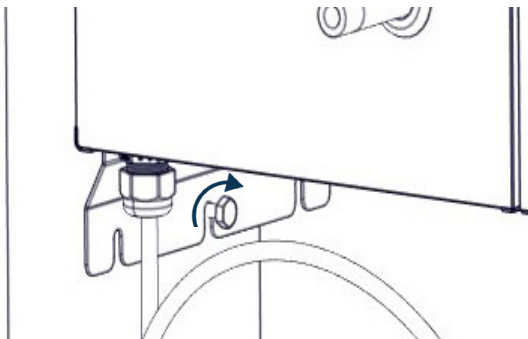
- 5** Level and center the top single mounting hole to mark the lag screw location.



- 6** Predrill a 5/32" hole on the marked location. Insert a lag screw. Do not fully tighten.



- 7** Predrill a second 5/32" hole in the center of the middle notch on the bottom of the bracket. Insert the next lag screw and tighten until the bracket is secure to the post.



- 8** Tighten the top lag screw until the bracket is secure to the post.

