

MOUNTING BRACKET INSTALLATION

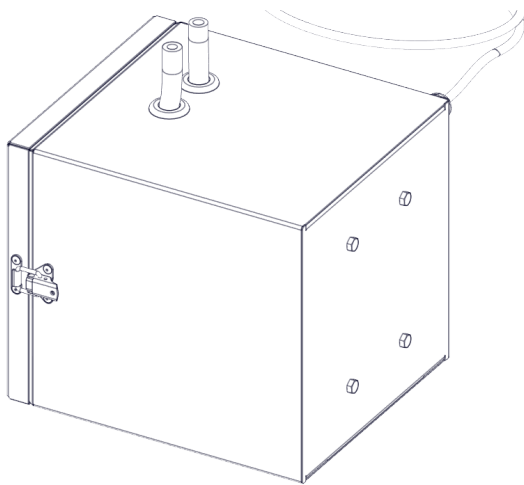
For Stainless Steel Cabinet

Kit 774445

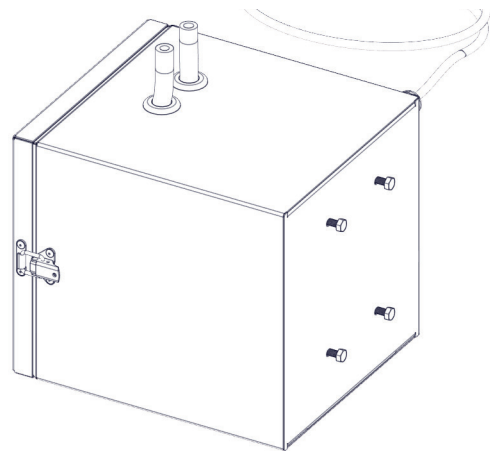
Attach the mounting bracket to a post or vertical wall (shed) with electrical service.

Place the cabinet adjacent to the electrical service which will power the system. The cabinet has a 2 meter power cord with flying leads. **DO NOT USE EXTENSION CORDS.**

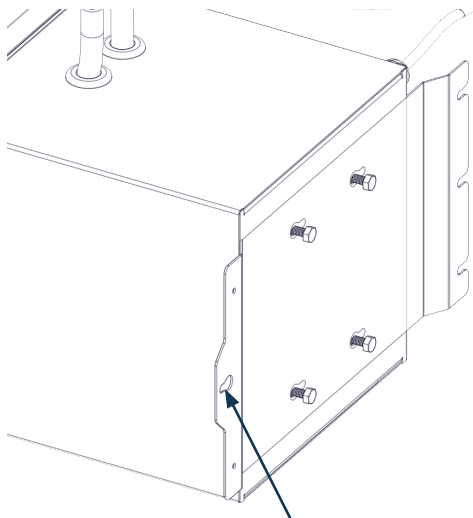
- 1 Place the cabinet on its side with the diffuser tubing connections facing up.



- 2 Use a 7/16" socket or wrench to loosen the four bolts on the bottom of the cabinet until they are sticking out 3.2mm.

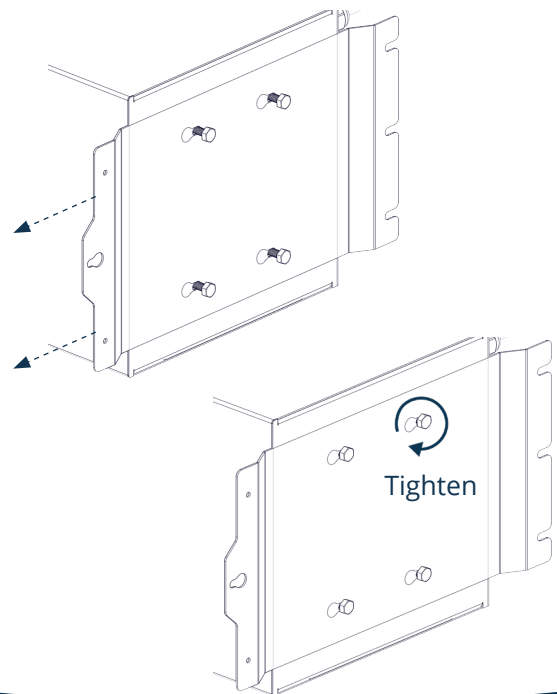


- 3 Place the mounting bracket over the bolt heads.



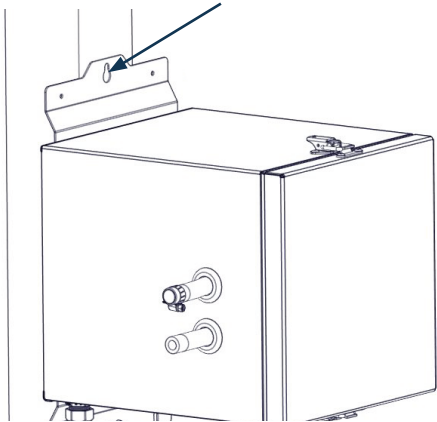
The single mounting hole on the bracket should be on the opposite side of the power cord.

- 4 Slide the bracket until the bolt heads are interlocked with the narrow grooves. Tighten bolts with 7/16" socket or wrench.

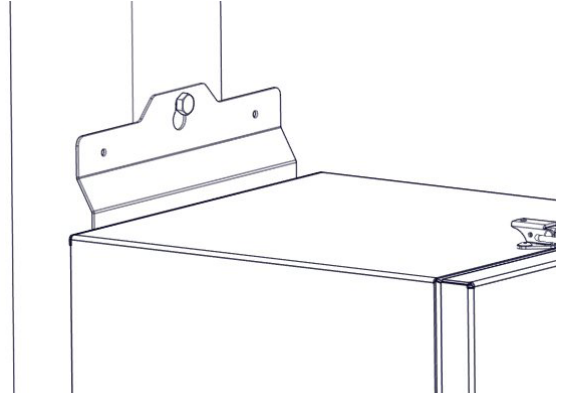


MOUNTING BRACKET INSTALLATION

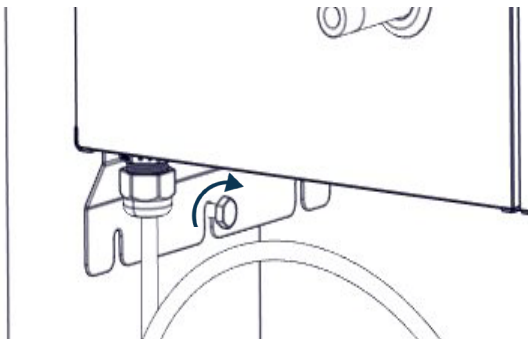
- 5** Level and center the top single mounting hole to mark the lag screw location.



- 6** Pre-drill a 4mm hole on the marked location. Insert a lag screw. Do not fully tighten.



- 7** Pre-drill a second 4mm hole in the center of the middle notch on the bottom of the bracket. Insert the next lag screw and tighten until the bracket is secure to the post.



- 8** Tighten the top lag screw until the bracket is secure to the post.

