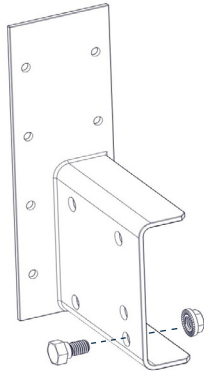


U-bolt Installation Instructions

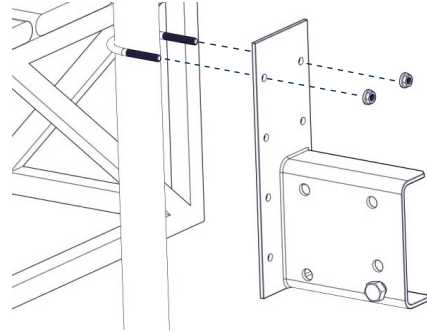
For Kit 997108K

Follow the steps in the main Dock Mount manual up to the installation of the Simple Swivel bracket and/or pipe bracket. Once you have completed those steps, refer to these instructions to assemble the U-bolt kit.

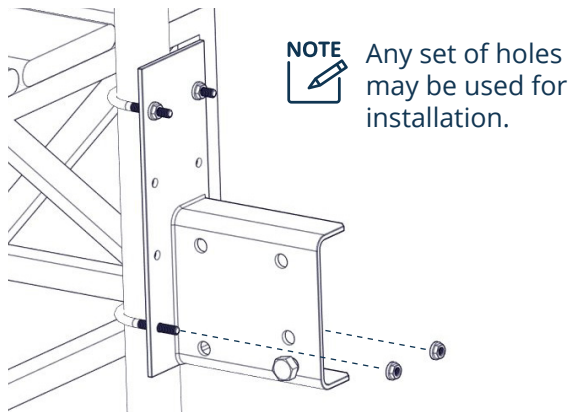
- 1 Using a 3/4" socket or wrench, install one shoulder bolt and one serrated flange nut on the dock mount base.



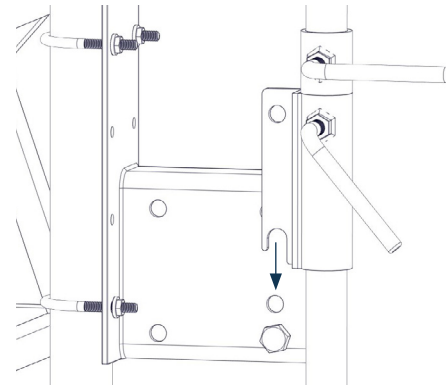
- 2 At the desired location, secure the top of the dock mount base using a U-bolt and two 5/16-18 serrated flange nuts. Tighten with 1/2" socket or wrench.



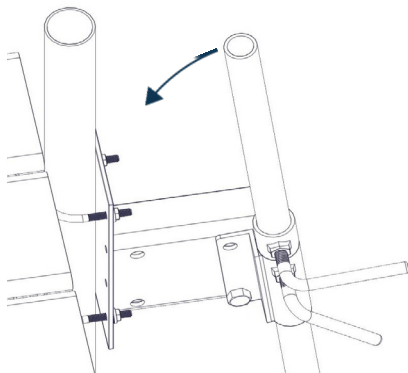
- 3 Repeat step two to secure the bottom of the dock mount base.



- 4 Hang the assembled dock mount and unit on the shoulder bolt using the groove in the pipe bracket.



- 5 Slightly tilt the pole back toward the dock to align the holes on the pipe bracket and dock mount base.



- 6 Secure using a serrated flange screw and nut. Tighten with a 3/4" socket or wrench.

