



C-85 & C-95 Control Panel Installation

Important - Read Carefully Before Installation

Read and follow all instructions provided with this panel and the instructions provided with your Aerator/Fountain. Test ground fault circuit protection devices with the test button after installation and every 30 days thereafter.

STEP ONE:

Inspect the panel for any damage and any components that may have loosened during shipping.

Control panel must be installed a minimum of 5ft (3m in Canada) from the inside wall of the pond, unless separated from the body of water by a fence wall, or other permanent barrier that will make the unit inaccessible to persons in the water.

Install the control panel to a post structure. This structure must support the panel and prevent movement/fl exing of the panel. Use #10 x 1" or longer screws in the mounting points of the control panel to secure to the post structure.

NOTE: The control panel must be hung upright in order to be waterproof. It is also advised to mount the panel out of direct sunlight if possible. Mounting the panel in a North direction will prevent heat buildup inside the panel. Also, mount the panel above the potential fl ood plain to prevent water entry during a possible fl ood event.

STEP TWO:

Electrical wiring:

Follow all local and national electrical codes for this installation and Consult a qualifi ed electrician or service person.

All electrical connections to this panel must be made with proper strain relief cord grip fi ttings or with conduit connections as required by local and national electric codes. The bottom of the enclosure is reserved for fi eld installation of these connections.

Incoming power connection: (Power feed)

This control panel requires a 240V or 208V - 4 wire service (L1, L2, N, & G) and must be fed with a power circuit protected by a circuit breaker or a fused disconnect switch to provide circuit protection and a

disconnection means.

C-85 panel requires at least a 30amp protected circuit feeding the panel.

C-95 panel requires at least a 40amp protected circuit feeding the panel.

Connect your power feed as detailed in the wiring diagram provided with this panel.

| | |
|---------------------------|-----------------------------------|
| L1 connects to Terminal | #1 |
| L2 connects to Terminal N | #2 |
| connects to Terminal G | N |
| connects to Terminal | GROUND - located on chassis plate |

Be sure to provide adequate sized power conductors to prevent excessive voltage drop. Consult with your electrician to properly size power feed conductors. Use copper conductors only.

Aerator power cord connection:

Your aerator (pump) will be provided with a fl exible power cord for connection to this control panel. The power cord conductors (black, white, green) will need to be stripped back 1/2". The outer black jacket should be stripped back at least 3inches.

| | |
|----------------------------|----|
| Black connects to Terminal | #4 |
| White connects to Terminal | #5 |
| Green connects to Terminal | G |

Light Kit connection:

If you purchased a Kasco light kit(s) for your aerator, follow the light kit installation instructions for mounting the light kit(s) to the aerator fl oat.

This control panel requires a hardwire connection for the light kit(s). To connect the light kit(s) you will need to cut off the power cord plug that is molded to the light kit power cord. Strip back the black outer jacket of the light kit power cord at least 3inches to reveal the three internal wires of the power cord. (black, white, and green conductors). These three wires will need to be stripped back 1/2". Follow the connection diagram for terminating these three wires to the terminal blocks in the control panel.

Light kit connections:

Black connects to Terminal #6

White connects to Terminal #7

Green connects to Terminal G

STEP THREE:

Set Time clocks to the desired ON and OFF times per the instructions in the aerator owners manual.

Once all power connections are completed, and the time clocks are set, power can be applied to the panel.

Record the following data while the Aerator is operating in the water under load:

Voltage:

L1-L2 _____

L1-N _____

L2-N _____

Amperage:

L1 _____

L2 _____

Date installed ____/____/____

Any unauthorized modifications to this control panel will void the UL listing and the Kasco warranty.

Kasco Marine, Inc. 800 Deere Rd. Prescott, WI 54021 PH (715) 262-4488 FAX (715) 262-4487
sales@kascomarine.com / www.kascomarine.com

#875205 Rev. 03/07/11

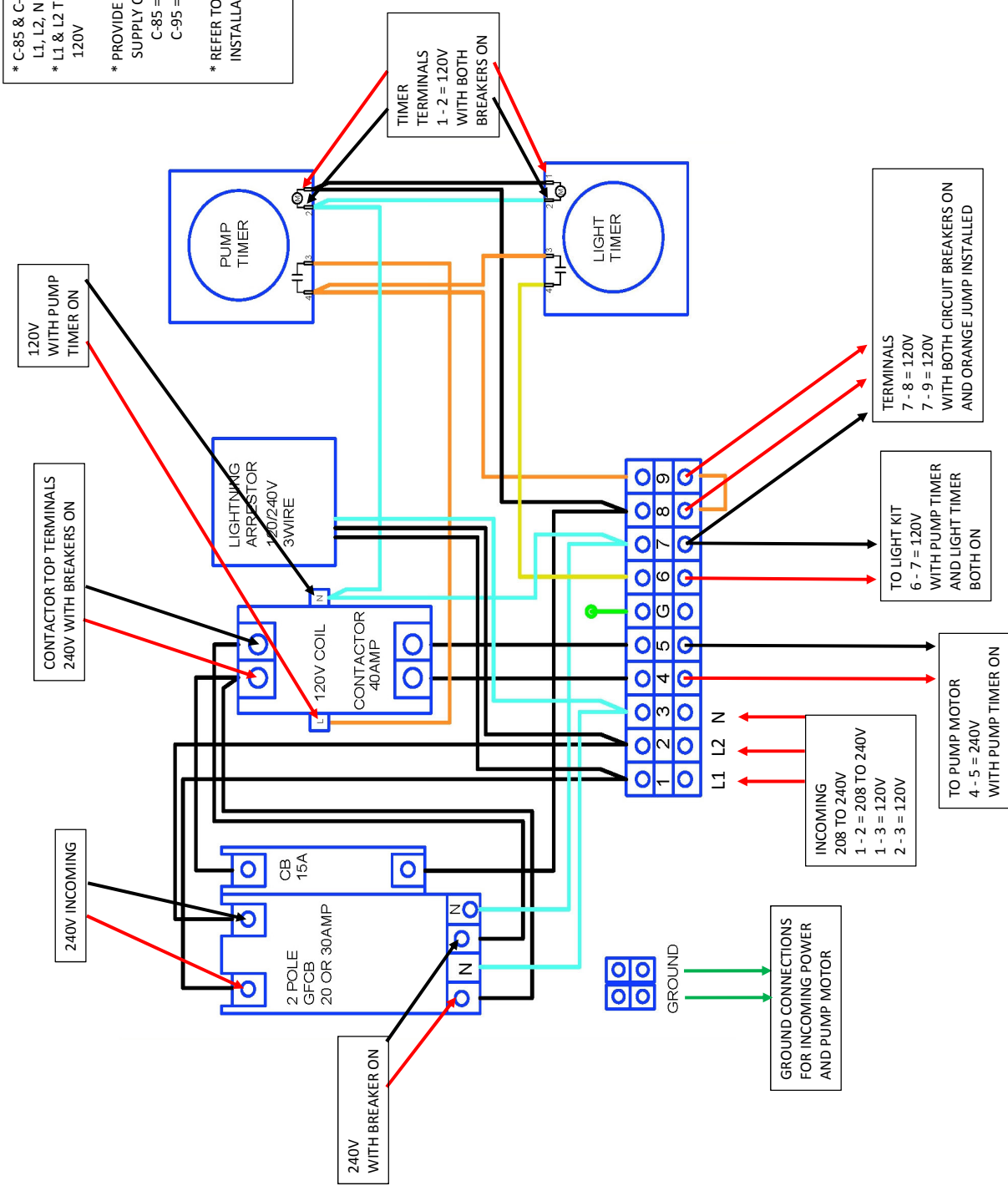
Kasco C-85 & C-95 VOLTAGE MEASUREMENTS

* C-85 & C-95 REQUIRE 4 WIRE SERVICE:
L1, L2, N & G

* L1 & L2 TO NEUTRAL MUST MEASURE 120V

* PROVIDE A NON-GFCI BREAKER ON THE SUPPLY CIRCUIT TO THIS CONTROL PANEL
C-85 = 30AMP BREAKER
C-95 = 40AMP BREAKER

* REFER TO AERATOR OWNER'S MANUAL FOR INSTALLATION INSTRUCTIONS



120V WITH PUMP TIMER ON

CONTACTOR TOP TERMINALS 240V WITH BREAKERS ON

240V INCOMING

240V WITH BREAKER ON

TIMER TERMINALS 1 - 2 = 120V WITH BOTH BREAKERS ON

INCOMING 208 TO 240V
1 - 2 = 208 TO 240V
1 - 3 = 120V
2 - 3 = 120V

TO PUMP MOTOR 4 - 5 = 240V WITH PUMP TIMER ON

TO LIGHT KIT 6 - 7 = 120V WITH PUMP TIMER AND LIGHT TIMER BOTH ON

TERMINALS 7 - 8 = 120V
7 - 9 = 120V WITH BOTH CIRCUIT BREAKERS ON AND ORANGE JUMP INSTALLED

GROUND CONNECTIONS FOR INCOMING POWER AND PUMP MOTOR