

WaterGlow LIGHTING

Instructions for Installation on 3-Piece Sectional Floats

Kit 840303

NOTE This kit includes supplementary hardware required to mount W25, RGBW18, LED3C11, RGB3C5, or LED3S19 light kits to Kasco units with three-piece sectional floats. The W25 is pictured for reference; use the same method to secure the hardware to the mounting brackets on RGBW18, LED3C11, RGBC5, and LED3S19 lights.

PARTS INCLUDED

ID	Description	Qty	Part No.
A	1/4"-20 x 5" hex head screw	3	345046
B	4" spacer	3	345047
C	1/4" flat washer	3	258476
D	1/4" split lock washer	3	840537
E	1/4"-20 nut	3	840536

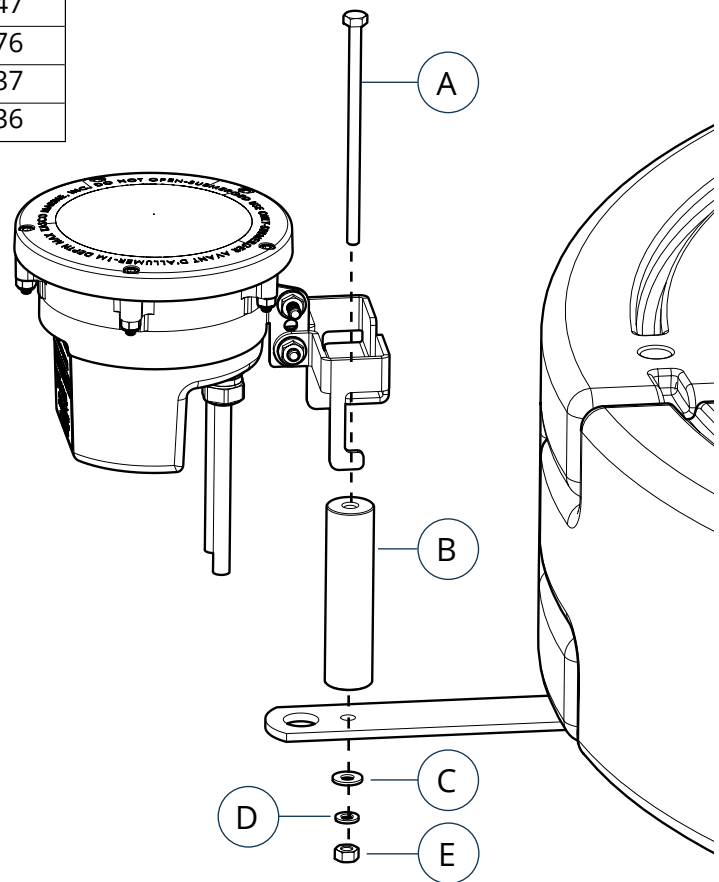
TOOLS REQUIRED



7/16" wrench



7/16" socket and driver



INSTALLATION INSTRUCTIONS

Secure the light fixture to the lower float bracket using the 1/4"-20 x 5" hex screw (A) and 4" spacer (B), 1/4" flat washer (C), 1/4" split lock washer (D), and 1/4"-20 nut (E). 7/16" socket and wrench required. Repeat for all three fixtures and continue with standard installation instructions included with light kit.

