



MOVING WATER FORWARD, SINCE 1968

WaterGlow RGBW18 LED LIGHTING



Operation & Maintenance Manual

Document number 884080
Document version 2026.2.0

800 Deere Rd. Prescott, WI 54021 | 715.262.4488 | support@kascomarine.com | kascomarine.com

TABLE OF CONTENTS

Safety First.....	2
Suggested Tools	2
Parts Included	3
Mounting Orientation Guide - Fountains.....	4
Mounting Orientation Guide - Aerators.....	5
Mounting Instructions.....	6
Alternate Mounting Instructions	8
WBox App Instructions.....	9
Downloading the App.....	9
How to Connect Your Phone to the Control Fixture	10
Version 1: How to Connect the Light Kit to Your Home WiFi Network	11
Version 2: How to Connect the Light Kit to Your Home WiFi Network	12
How to Operate Your Light Kit.....	13
How to Select Preset Effects.....	14
How to Add a New Effect	15
How to Set a Schedule	16
Maintenance Recommendations.....	17
Warranty	18
Non-warranty Repairs.....	18
Troubleshooting Tips.....	19
Repair Contact Form	20

QUESTIONS?



715.262.4488



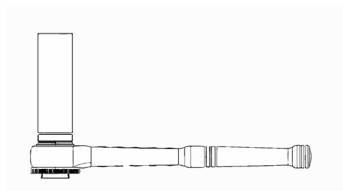
kascomarine.com | support@kascomarine.com

SAFETY FIRST

Caution should be used when dealing with any electrical and/or moving equipment.

- Under NO CIRCUMSTANCE should anyone enter the water with the electrical equipment plugged in and/or in operation.
- Use extreme caution around water, especially cold water, as in Spring, Fall, and Winter, which poses a hazard in and of itself.
- They are intended to be mounted on a floating fountain or aerator for use in a natural or man-made body of water to comply with NEC Article 682.
- Kasco light kits have not been evaluated for use in swimming pools, spas, or stationary fountains.
- RGBW18 kits operate on 120Vac and MUST be connected to a GFCI-protected circuit or panel.
- RGBW18 light fixtures MUST be properly submerged (to mark on housing) to avoid overheating; insufficient submersion or operation out of water will damage fixtures and void warranty.
- NEVER lift or drag the equipment by the power cords. If you need to pull the unit to the side of the pond, use the anchoring ropes.
- Do not use boats that tip easily for light kit or unit installation and follow all boating safety rules and regulations, including wearing a PFD (Personal Flotation Device). Do not use waders in deep ponds/lakes or ponds/lakes with drop-offs, drastic slopes, or soft bottom material.
- For more information regarding control panel instructions, refer to your equipment owner's manual. A control panel must be installed a minimum of 5 feet (3m in Canada) from the body of water unless separated from the body of water by a fence, wall, or other permanent barrier that will make the unit inaccessible to persons in the water. A complete list of control panels can be found in the Accessories section of kascomarine.com.

SUGGESTED TOOLS



7/16" socket & driver

3/8" socket & driver

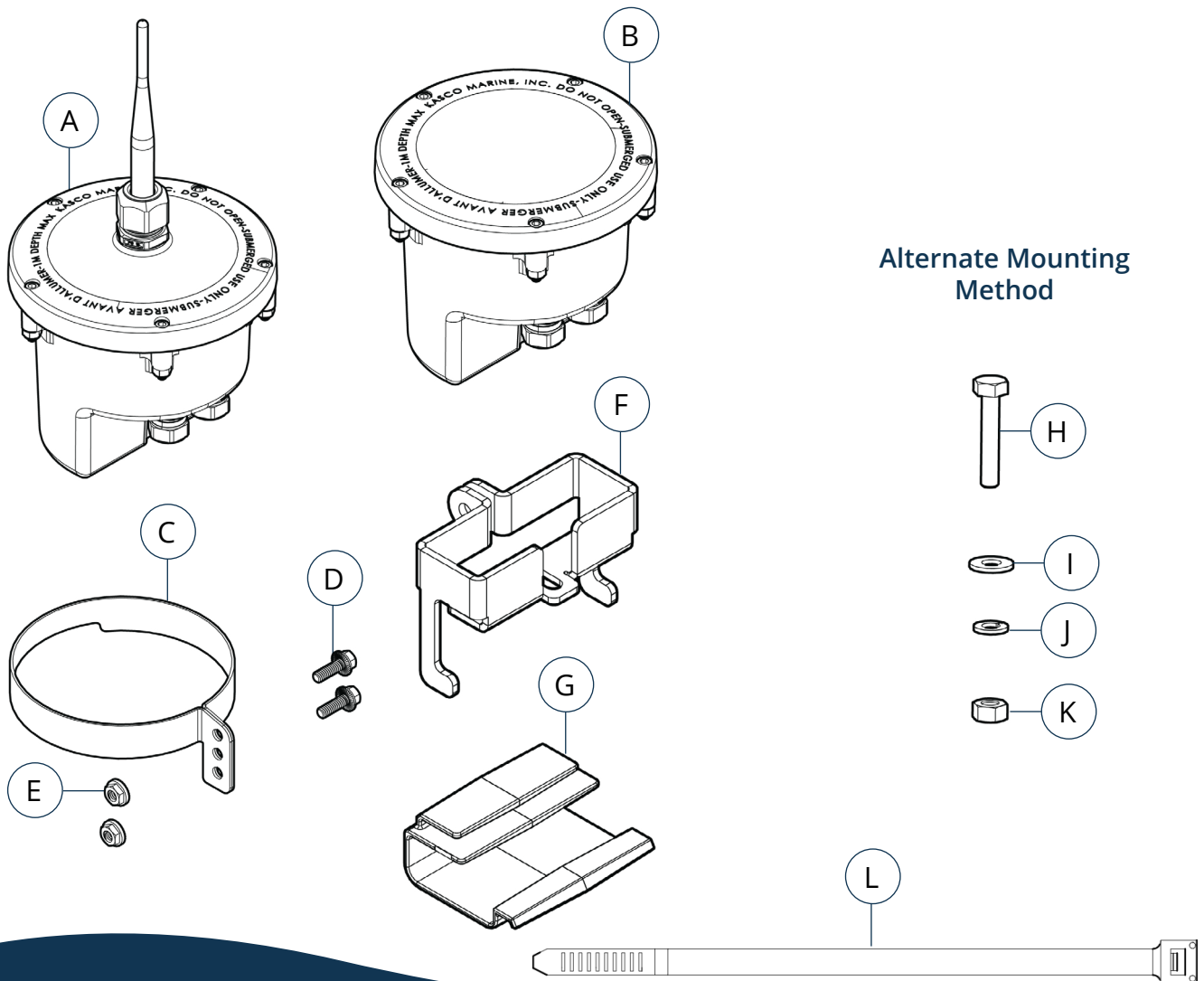


7/16" combination wrench

3/8" combination wrench

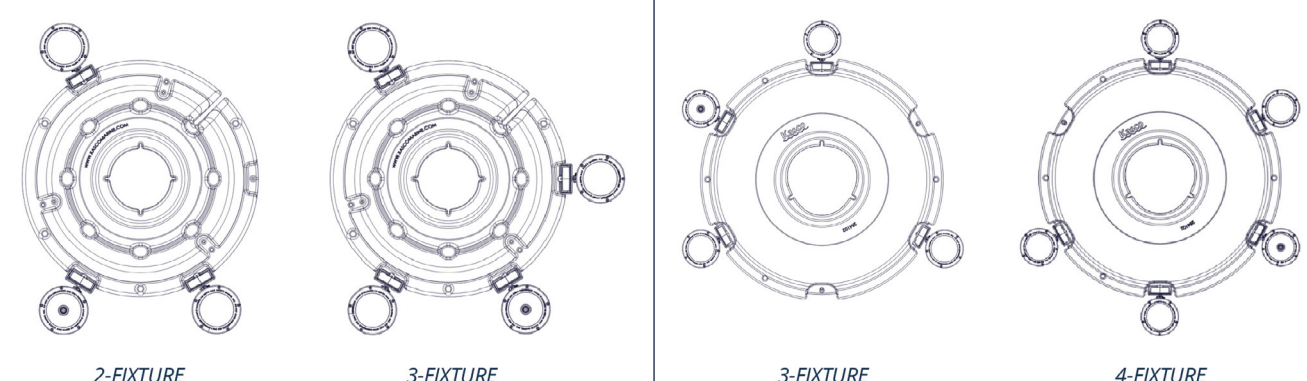
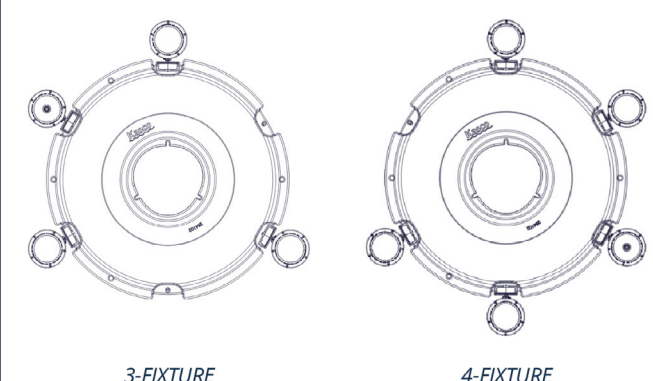
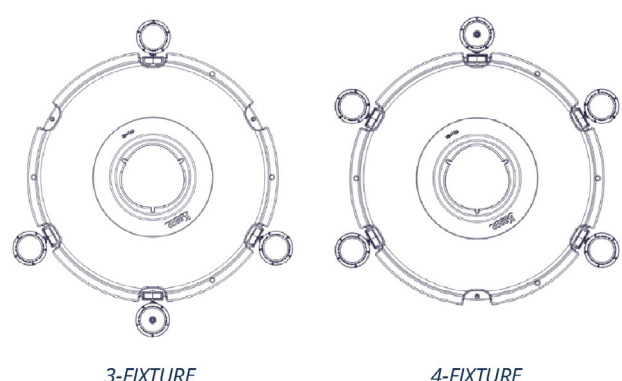
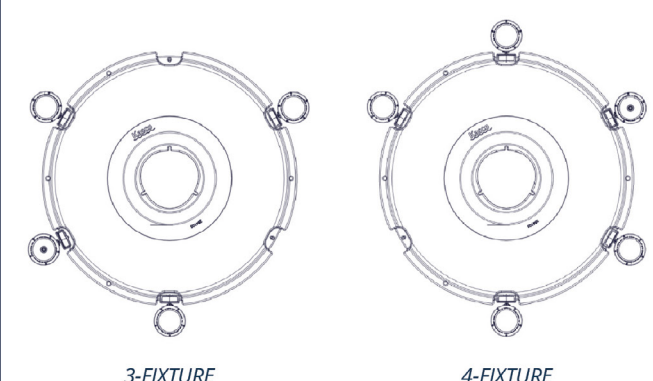
PARTS INCLUDED

Item	Description	Part No.	LED2RGBW18	LED3RGBW18	LED4RGBW18
			Qty.		
A	RGBW, 18W, control fixture	590300	1	1	1
B	RGBW, 18W, light fixture	590350	2	3	4
C	Stainless steel strap	590040	3	4	5
D	1/4"-20 x 3/4" serrated flange bolt	590220	6	8	10
E	1/4"-20 serrated flange nut	840538	6	8	10
F	Stainless steel float bracket	590060	3	4	5
G	Snap-on light clip	361445	3	4	5
H	1/4"-20 x 1-3/8" hex bolt	584692	3	4	5
I	1/4" flat washer	258476	3	4	5
J	1/4" split lock washer	840537	3	4	5
K	1/4-20 nut	840536	3	4	5
L	Cable tie	415050	3	4	5




MOUNTING ORIENTATION GUIDE - FOUNTAINS

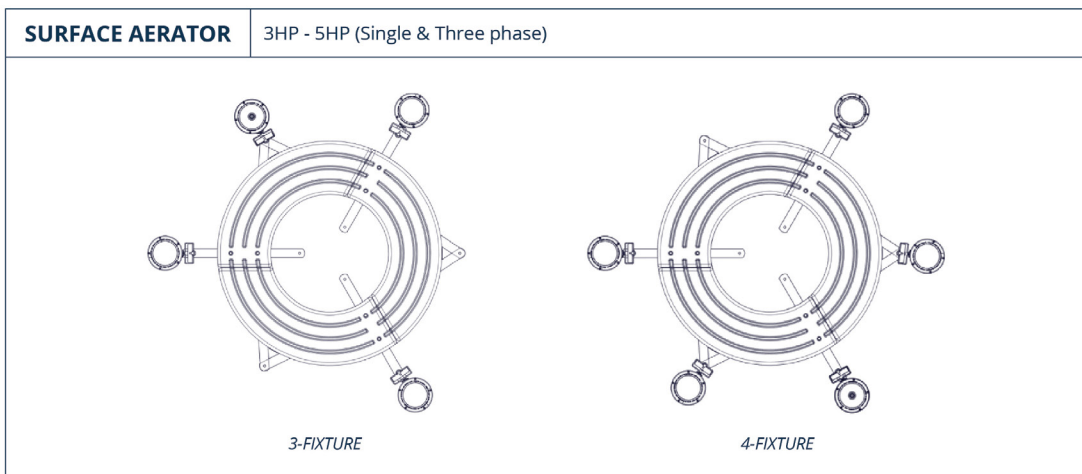
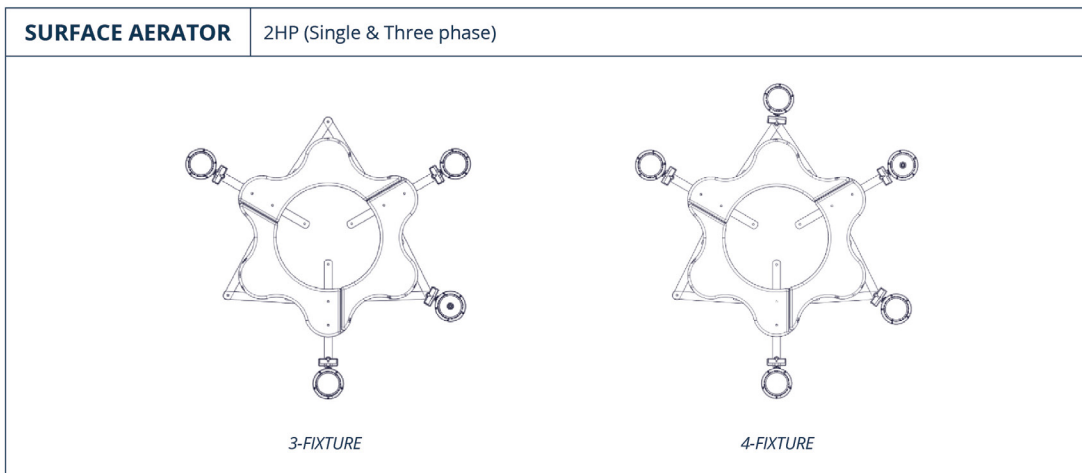
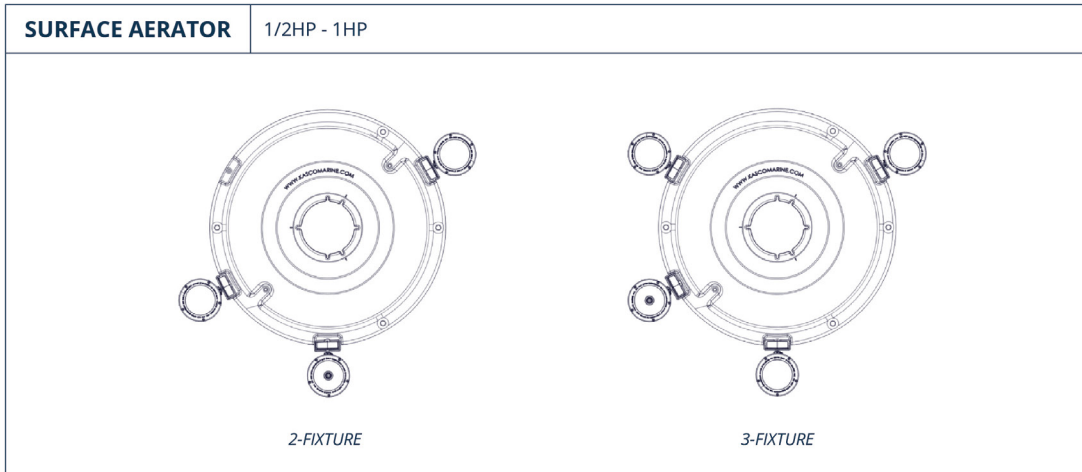
Use the diagrams below to determine the correct orientation of your light kit based on number of fixtures and unit size.

J SERIES	3/4HP - 1HP	J SERIES	2HP (Single & Three phase)
VFX SERIES	1/2HP - 1HP	VFX SERIES	2HP (Single phase)
			
J SERIES	3HP (Single & Three phase)	J SERIES	5HP - 7.5HP (Single & Three phase)
VFX SERIES	2HP (Three phase)	VFX SERIES	5HP (Single & Three phase)
			

MOUNTING ORIENTATION GUIDE - AERATORS

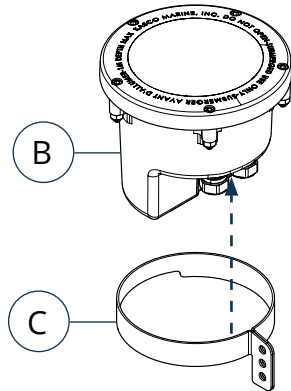
Use the diagrams below to determine the correct orientation of your light kit based on number of fixtures and unit size.

NOTE  When attaching a light kit to a surface aerator without a bottom screen, remove any slack between each light fixture to prevent the cord from being drawn to the prop.

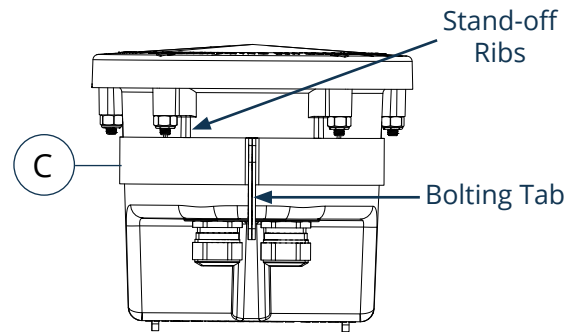


MOUNTING INSTRUCTIONS

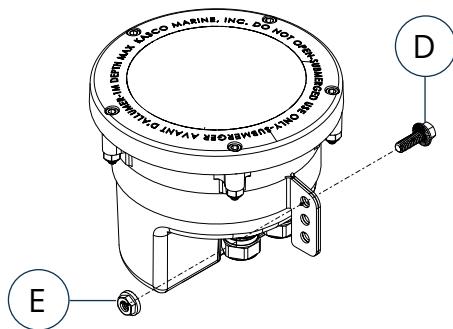
- 1 Place the stainless steel strap (C) around the light fixture (B).



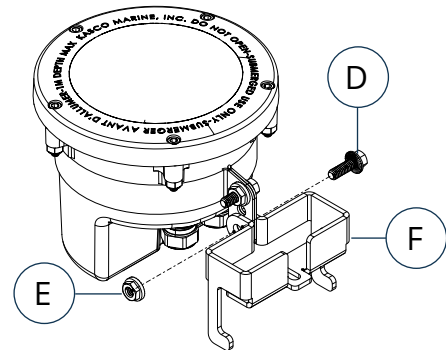
- 2 Ensure the stainless steel strap (C) is seated just under the stand-off ribs and the bolting tab is centered between the cord grips.



- 3 In the top hole of the bolting tab, use one 1/4"-20 x 3/4" serrated flange bolt (D) and one 1/4"-20 serrated flange nut (E) to secure the strap. Tighten with a combination of a 7/16" and 3/8" wrench and socket.

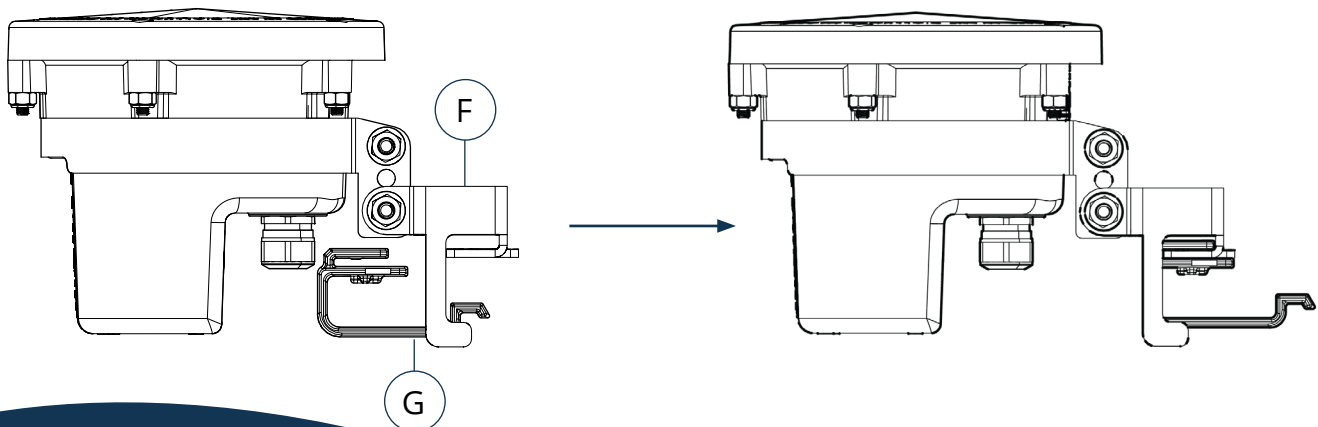


- 4 In the bottom hole of the bolting tab, use one 1/4"-20 x 3/4" serrated flange bolt (D) and one 1/4"-20 serrated flange nut (E) to attach the float bracket (F). Tighten with a combination of a 7/16" and 3/8" wrench and socket.



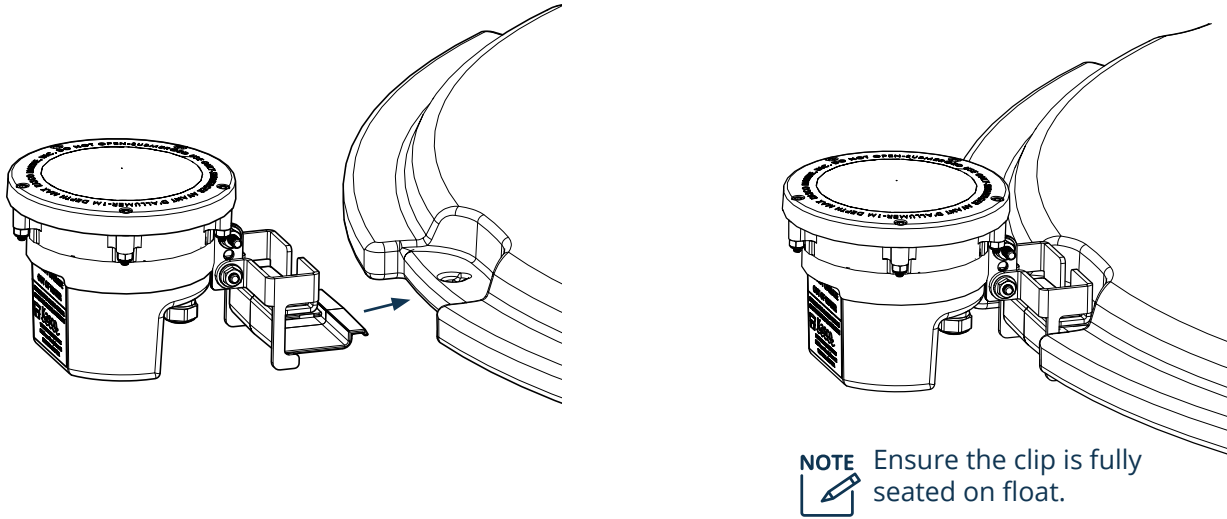
- 5 Slide bracket (F) into the top flange on the snap-on clip (G) until it clicks into place and is secure.

NOTE For 2, 3, & 5HP AF units, use alternate hardware instead of the snap-on light clip, following the directions on page 8.

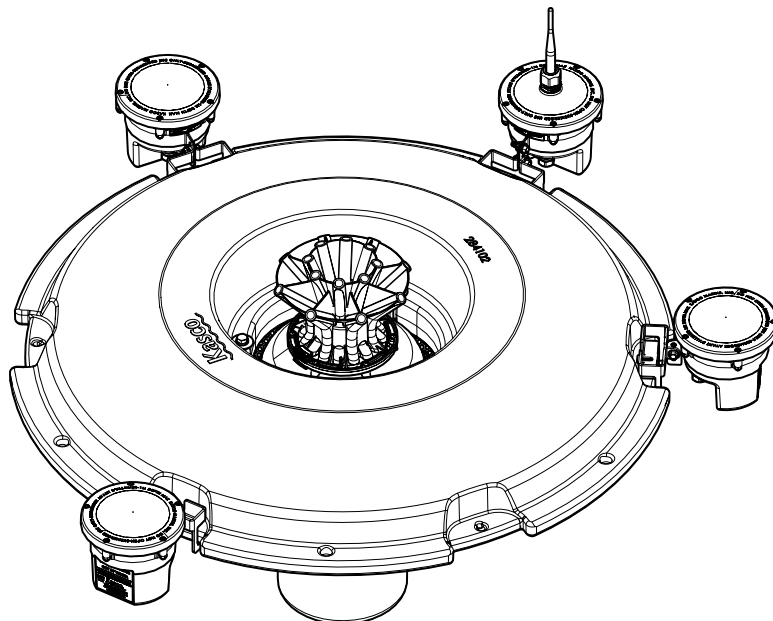


MOUNTING INSTRUCTIONS (CONT.)

- 6 After attaching the unit to the float according to fountain/aerator instructions, push the clips into recesses on the float until you hear an audible click indicating the fixture is secure.



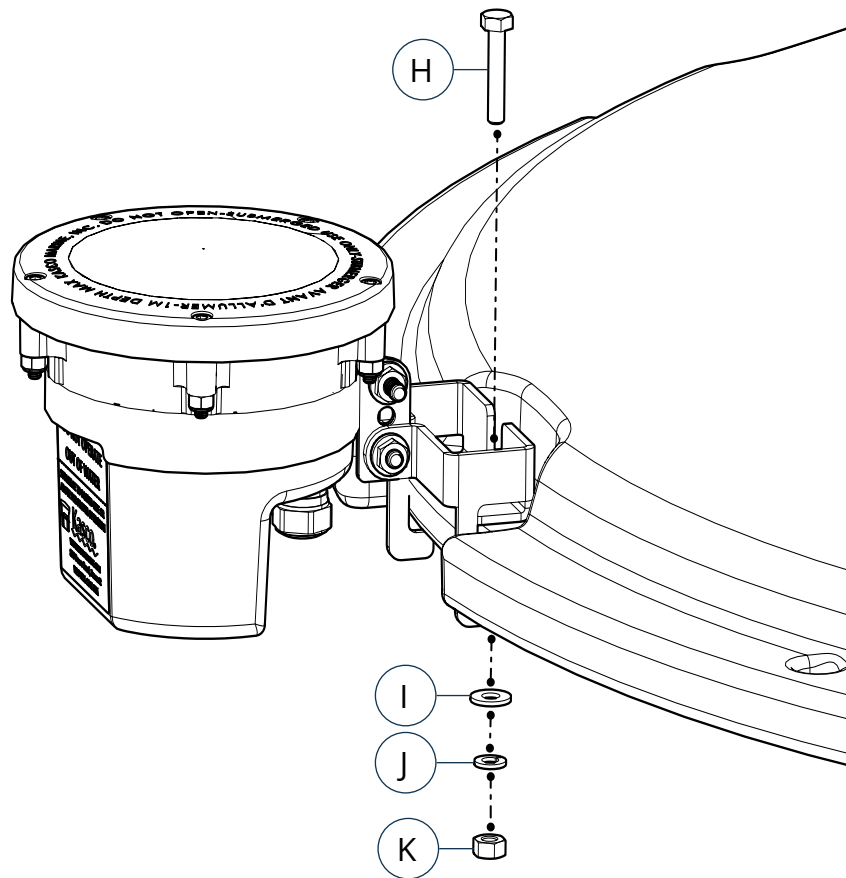
- 7 Repeat steps 1-6 for all fixtures and the control fixture. Ensure fixtures are evenly spaced around the float. The control fixture can be attached to any open recess and will be off centered as shown below. Adjust the angle of the lights if desired, being sure to use the same angle for all fixtures. Cable ties (L) should be used to attach fixture cords to the float to avoid cuts or damages to the cords. Upon installation of the assembled unit, connect the light kit to a field-installed GFCI-protected outlet and or control panel. **Remember: fixtures MUST be properly submerged (to mark on housing) to avoid overheating.**



ALTERNATE MOUNTING INSTRUCTIONS

For J/VFX units (optional) and 2, 3, & 5HP AF units:

Included with the light kit is optional hardware for use instead of the snap-on light clip. Assemble parts I, J, K, and L as shown in the diagram below and tighten until secure. 7/16" socket and wrench required. Continue to step 7 on page 7.

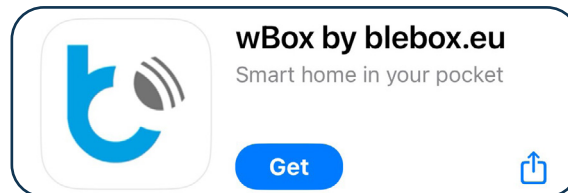


WBOX APP INSTRUCTIONS

Downloading the App

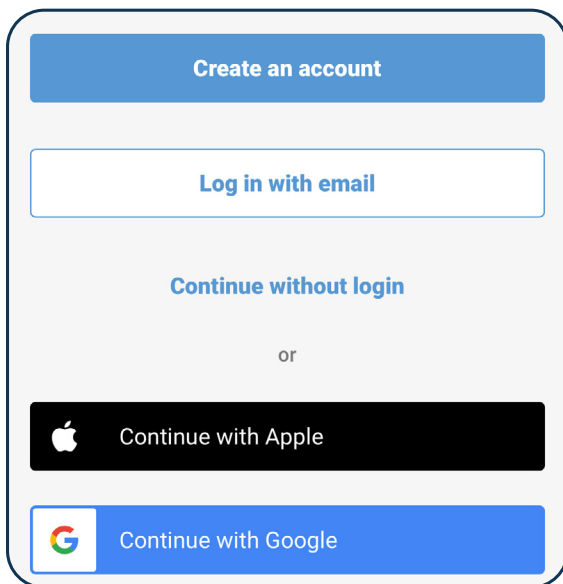
NOTE The mobile app used to control this lighting system has an effective wireless range of around 400 feet from the light kit. Actual range may vary depending on environmental conditions and potential signal obstructions.

- 1 Go to the App Store on your device and download the wBox app.

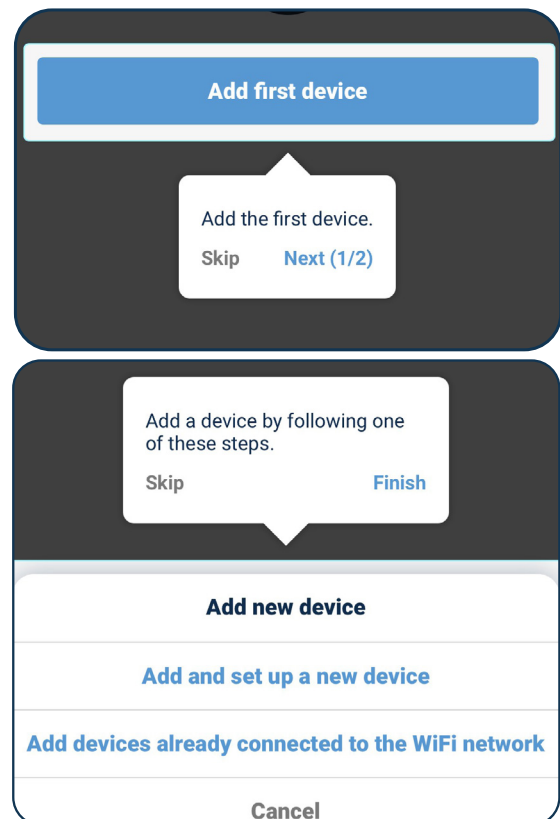


- 2 You can create an account or login using your Google or Apple account.

NOTE You can continue without login (dedicated for installers for one-time connection of the controller), but the features of the app will be limited.



- 3 After logging in, the wBox tutorial will automatically appear. If you don't see the tutorial, click on the menu and select "How to use".



WBOX APP INSTRUCTIONS

How to Connect Your Phone Directly to the Control Fixture

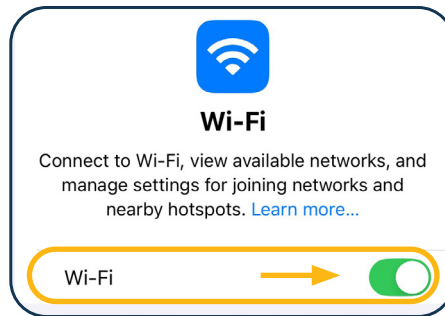
NOTE This is Kasco's recommended way to connect.

1 Plug your RGBW18 lights into your control panel or directly into a GFCI-protected 120V outlet. If you are connecting the lights to a C-25 panel, place a piece of tape over the photo eye.

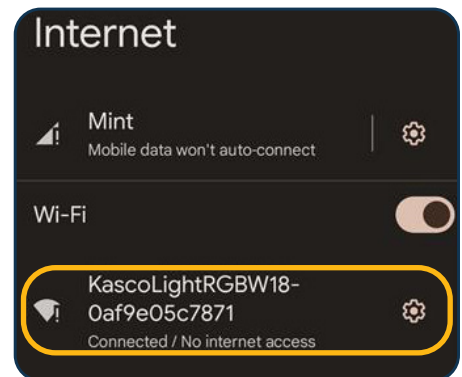
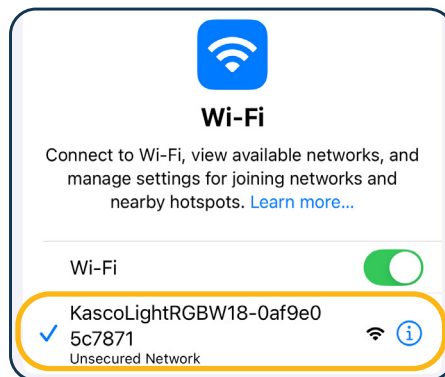
iOS

Android

2 Ensure your lights are plugged in and powered on. Go to the WiFi settings in your phone and turn on WiFi network.



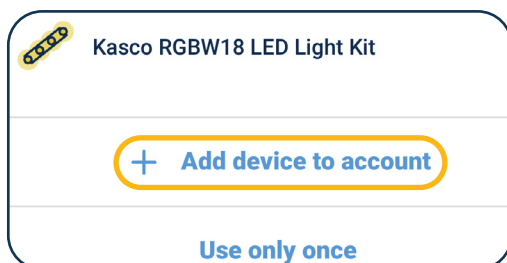
3 Connect to the WiFi network provided by the controller. For example - "device_XXXXXXXXX" where XXXXXXXXXXXX is the unique number of the device.



NOTE Some phones may report that "Internet may not be available" - it's normal, please continue with this WiFi network.

4 After connecting to the WiFi network of the control fixture, return to the wBox application.

5 Click "+ Add device to account" to add the light kit to your account. You are now the owner of the device.



NOTE If light kit does not appear, try closing the app and reopen.

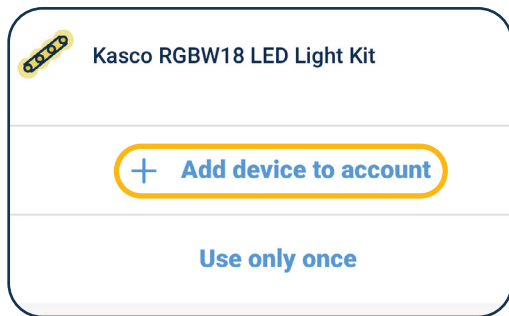


WBOX APP INSTRUCTIONS

Version 1: How to Connect the Light Kit to Your Home WiFi Network

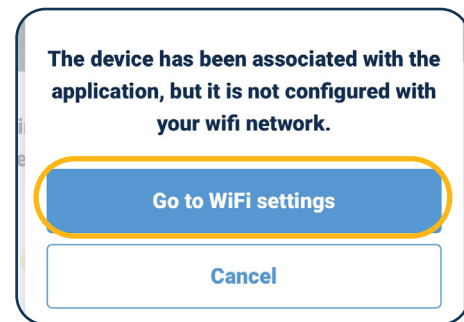
NOTE If you are not in range of your home Wi-Fi, direct connection will be required for operation. See page 10.

- 1 Click "+ Add device to account" to add the light kit to your account. You are now the owner of the device.



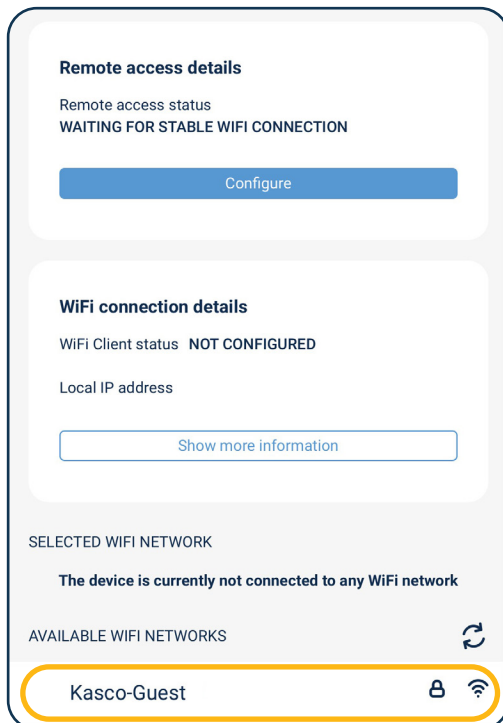
NOTE If light kit does not appear, try closing the app and reopen.

- 2 Click "Go to WiFi settings".

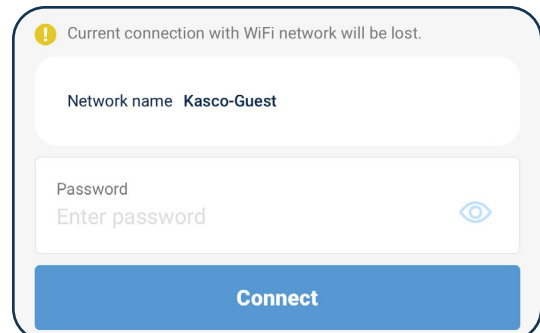


NOTE If this message did not appear or you clicked "Cancel", please refer to version 2 (page 12).

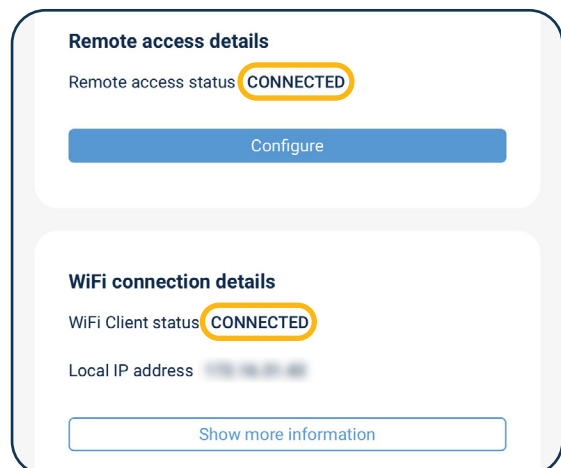
- 3 Select your home WiFi network from the list to connect the control fixture with this network.



- 4 Enter your home WiFi password then click "Connect".



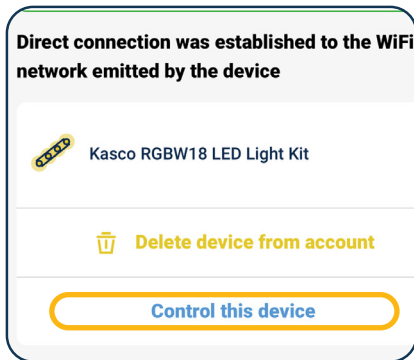
- 5 The control fixture is now connected to your home WiFi network.



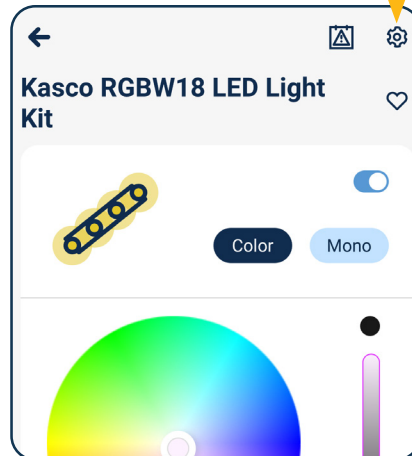
WBOX APP INSTRUCTIONS

Version 2: How to Connect the Light Kit to Your Home WiFi Network

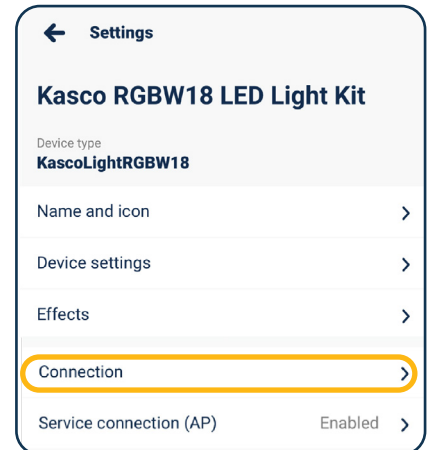
- 1** If you didn't see a message after adding the device to your account or you clicked "Cancel", click "Control this device".



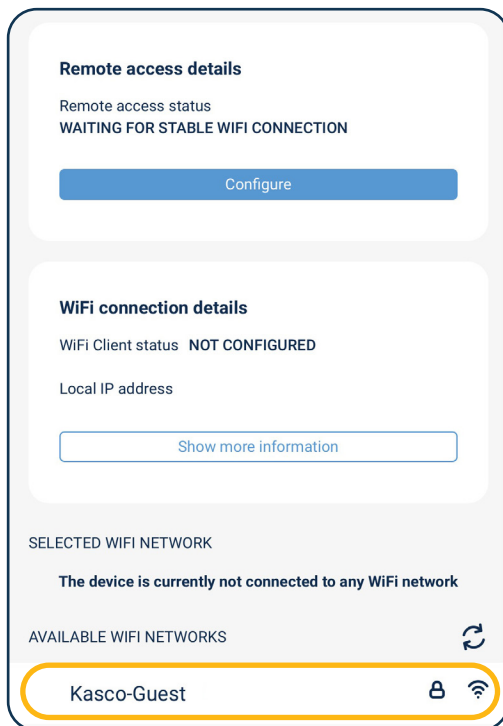
- 2** Find and click the settings icon.



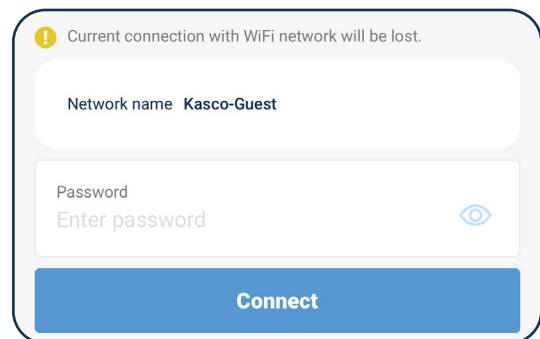
- 3** Click on "Connection".



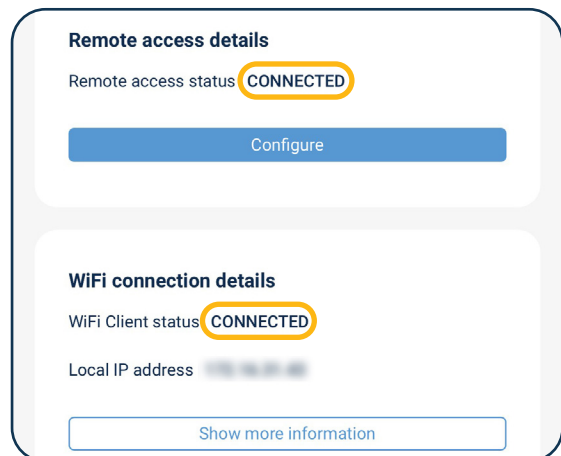
- 4** Select your home WiFi network from the list to connect the control fixture with this network.



- 5** Enter your home WiFi password then click "Connect".



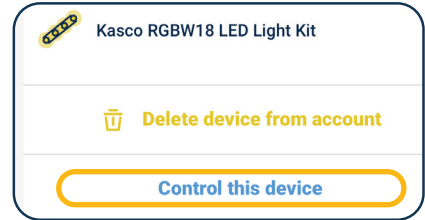
- 6** The control fixture is now connected to your home WiFi network.



WBOX APP INSTRUCTIONS

How to Operate Your Light Kit

To access the home interface shown below, click "Control this device".



Click to turn the lights on and off.

Select a color using the color wheel or choose from the preset shortcut options.

Use the slider bar next to the color wheel to dim the color.

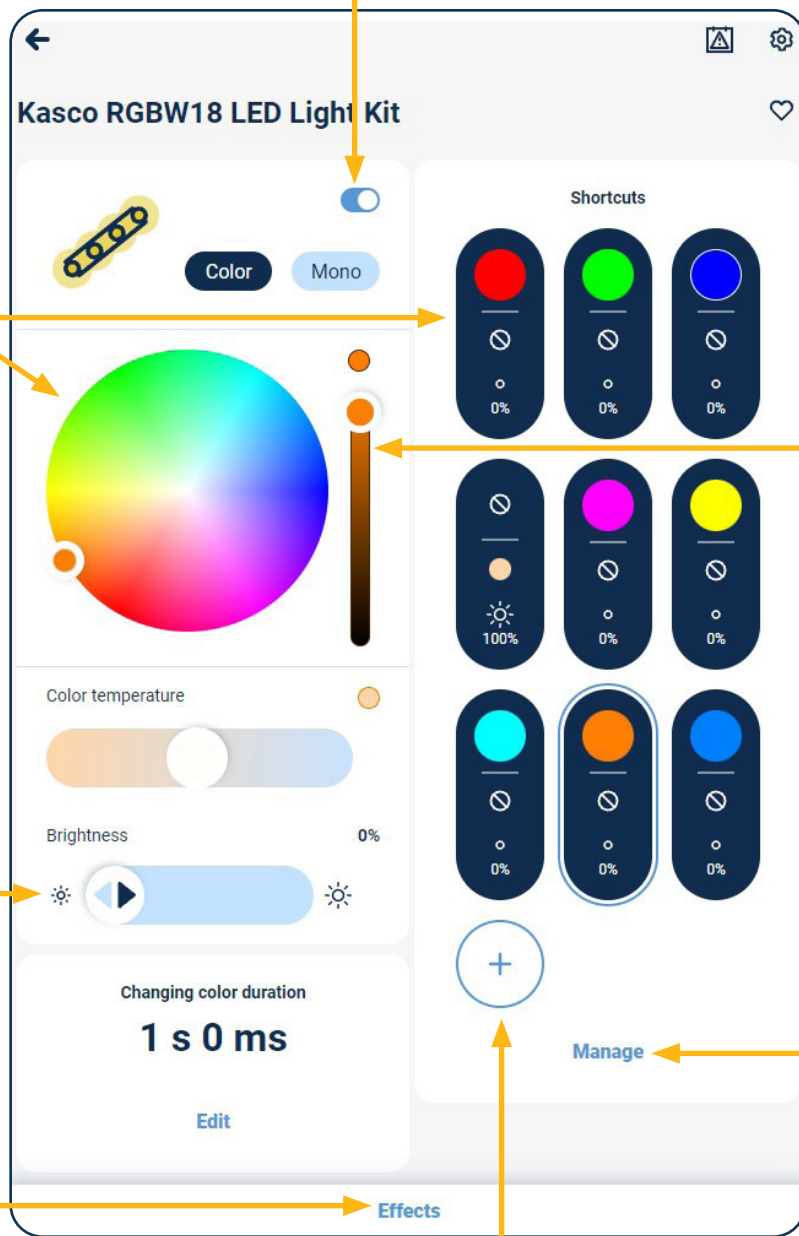
Use the brightness slider bar to add white LED to the selected base color.

Click "Manage" to delete or change any of the shortcut colors.

Click "Effects" to access rhythmic pattern options. See page 14 & 15 for more details.

Click the "+" button to add a new color to the shortcut options.

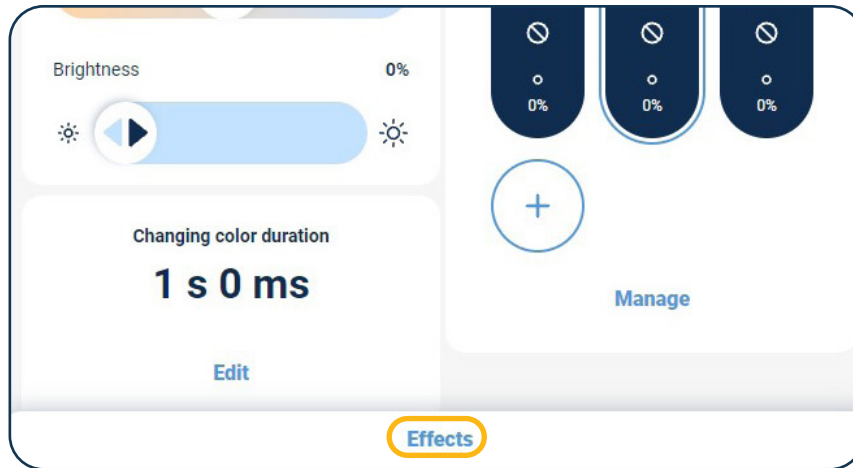
NOTE Only 10 shortcut options can be displayed at a time.



WBOX APP INSTRUCTIONS

How to Select Preset Effects

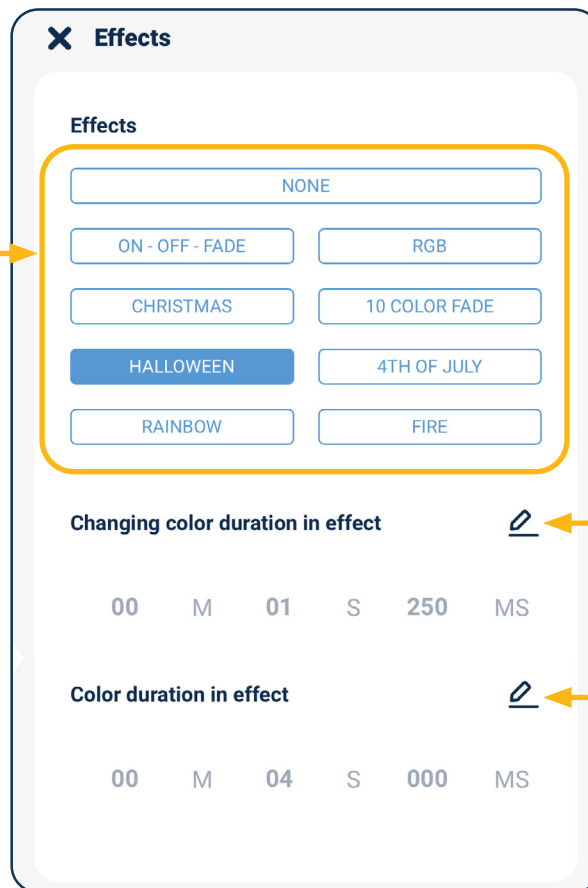
- 1 Click "Effects" at the bottom of the home interface.



- 2 Choose your desired effect.

Select one of the preset effects.

NOTE To learn how to add your own effect, see page 15.



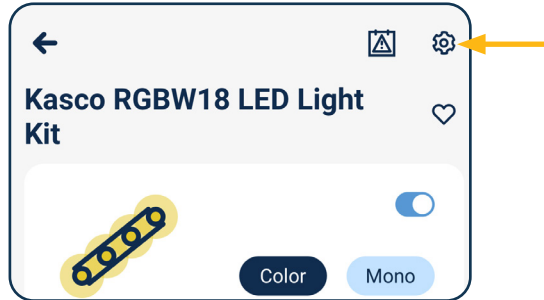
Click to edit the amount of time it takes to transition to a new color.

Click to edit the amount of time a color is displayed.

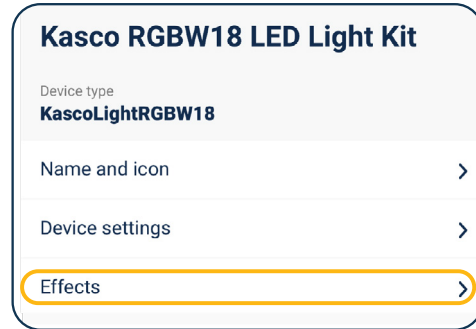
WBOX APP INSTRUCTIONS

How to Add a New Effect

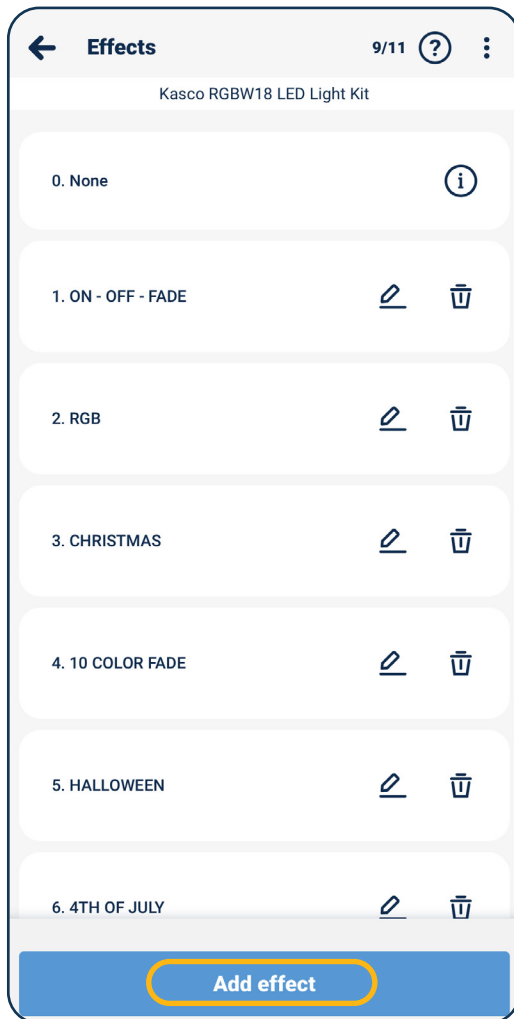
- 1 Find and click the setting icon at the top of the home interface.



- 2 Click on "Effects".

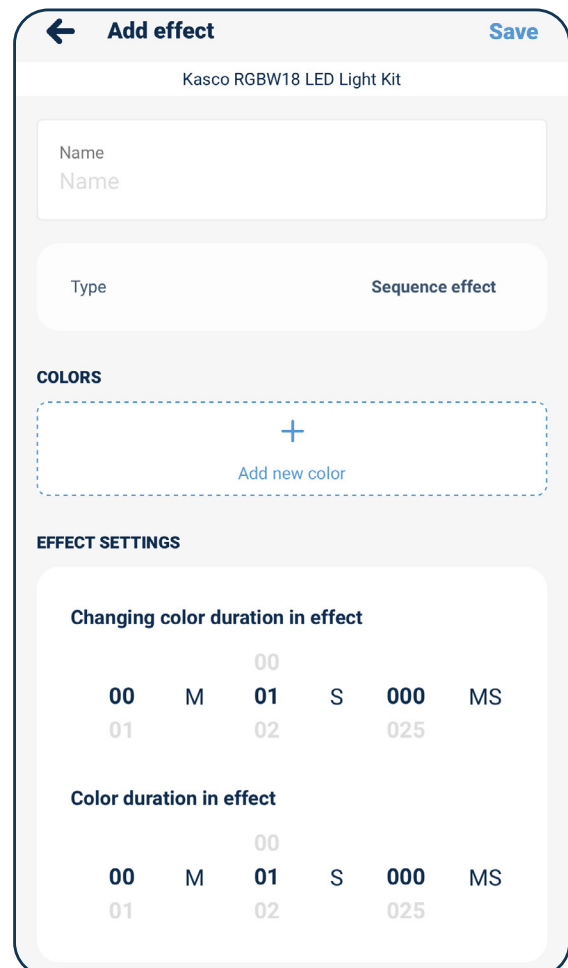


- 3 Click "Add effect".



- 4 Fill out fields and click "Save"

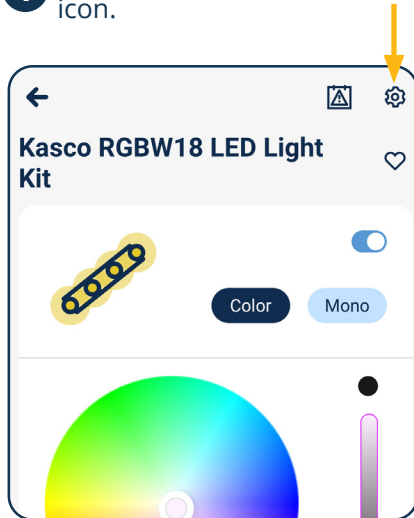
NOTE Only 10 effects can be displayed at a time.



WBOX APP INSTRUCTIONS

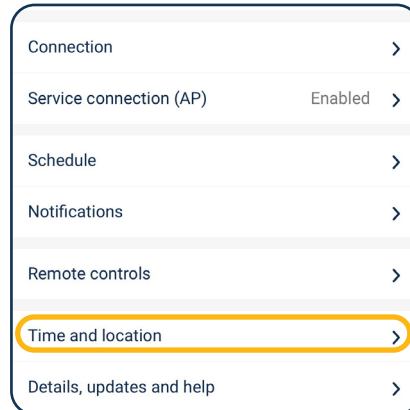
How to Set a Schedule

- 1** Find and click the settings icon.

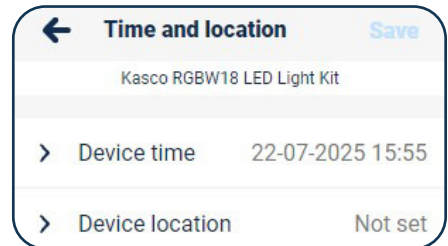


- 2** Click on "Time and location".

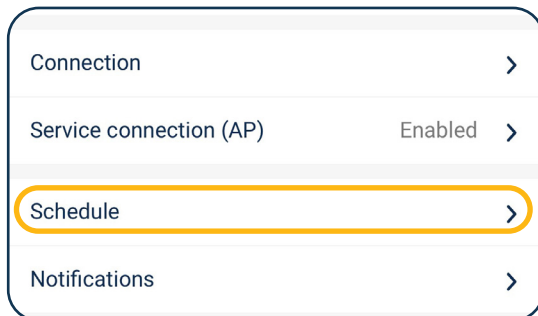
NOTE This must be set before adding a schedule.



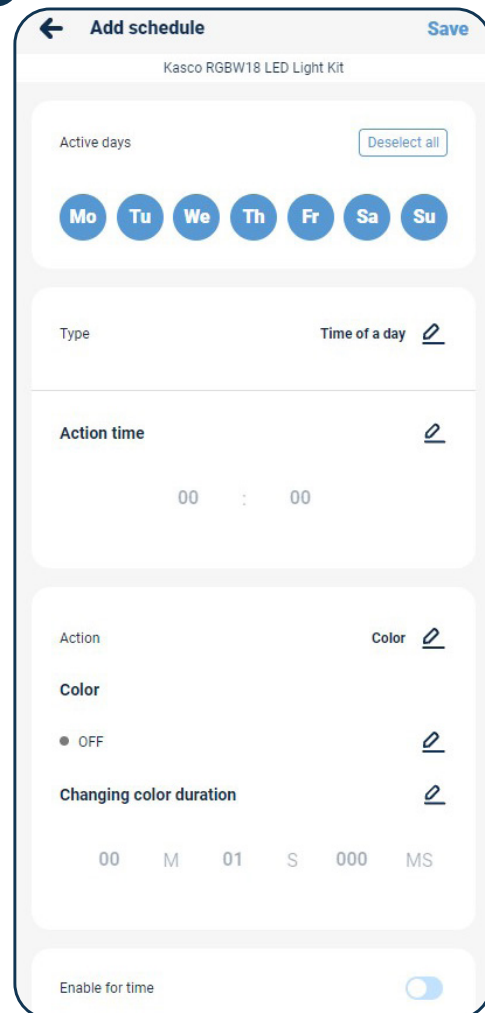
- 3** Set time and location fields. Once set, navigate back to settings page.



- 4** Click on "Schedule".

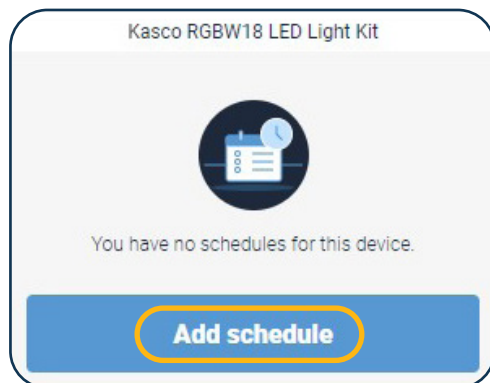


- 6** Fill out fields and click "Save"



- 5** Click "Add schedule".

NOTE Only 10 schedules can be set at a time.



MAINTENANCE RECOMMENDATIONS

Under **NO CIRCUMSTANCE** should anyone enter the water while a fountain is operating.

The following maintenance procedures can be utilized to ensure many years of quality performance from your Kasco fountain and light kit and reduce the need for more costly repair work.

PROPER INSTALLATION: Proper installation of Kasco equipment will include a power source with ground fault protection. The control panel included with the equipment has built-in ground fault protection for both the fountain and the lighting kit. There should only be one GFCI in a circuit. Test the ground fault circuit protection devices with the test button after installation and every 30 days thereafter. Ground fault interrupters are a safety feature that can also alert you to electrical leaks in the equipment. If you have repeat, consistent trips of the ground fault device, the equipment should be disconnected and removed from the water. The power cord should be inspected for damage and you should contact your distributor or contact Kasco Marine at 715-262-4488 or support@kascomarine.com for further instructions. A complete list of control panels can be found in the Accessories section of kascomarine.com. Kasco recommends placing an extra serial number sticker on the inside of the control panel.

OBSERVATION: Operating equipment should be observed on a regular basis (daily, if possible) for any reduction or variation in performance. If a change in performance is observed, the equipment should be disconnected from power and inspected.

WINTER STORAGE: In regions where there is significant freezing in the wintertime, the light kit should be removed from the water to protect it from the expansion pressure of ice. Storage over winter is best in a location that is out of the sun and cool, but above 32° F.

CLEANING: Light kits should be removed from the water at least once per year (at the end of the season in cold climates) to clean the exterior of the system. The light fixture surfaces dissipate heat into the water, and any algae, calcium, or other build-up will become an insulator that blocks heat transfer and may lead to overheating and damage. Keeping the lenses clean will also ensure the brightest light possible. Annually inspect cord grip entries to ensure they are free of oxidation. If buildup is present, clean with a wire brush to maintain proper heat transfer.

KASCO PATENTS

To view a full list of Kasco patent and patent-pending information, visit <https://kascomarine.com/patents/>.

CONTACT US



Kasco Marine
800 Deere Road
Prescott, WI 54021



715.262.4488



kascomarine.com | support@kascomarine.com

WARRANTY

Warranty Policy

Warranty period: 3-year Limited Warranty: Kasco® Marine, Inc. warrants this Light Kit to be free from defects in material or workmanship under normal use and service. The Kasco Marine, Inc. obligation under this warranty is limited to replacing or repairing free of charge any defective part within the warranty period from the date of shipment. Customer shall pay shipping charges for returning the unit to Kasco.

THIS WARRANTY IS IN LIEU OF ANY OTHER WARRANTIES, EXPRESSED OR IMPLIED, AND ANY OTHER OBLIGATION OR LIABILITY WHATEVER ON THE PART OF KASCO MARINE, INC. AND IN NO EVENT SHALL KASCO MARINE, INC. BE LIABLE FOR ANY SPECIAL OR CONSEQUENTIAL DAMAGES.

Warranty is void if:

- The Light Kit is not maintained properly according to the Maintenance Recommendations supplied in this Manual.
- The lights, control fixture, or power cord are altered in any way from original shipment. Cuts in the power cord are not covered under warranty.
- The Light Kit is damaged by unauthorized tampering.

Warranty Claim Procedure

The best method for establishing warranty period is by keeping your original receipt and registering the equipment online at kascomarine.com under the Warranty Information section.

Once warranty coverage has been established, the light kit may be sent to Kasco Marine or any Kasco Authorized Repair Center for evaluation and repair.

NON-WARRANTY REPAIRS

Most failed equipment can be repaired at substantially lower costs than replacement with new. If your light kit requires repair and is no longer covered under warranty, please contact Kasco Marine or your local distributor for available options. Please ship according to the instructions above.

- Kasco Marine does estimates on repairs at the request of the customer. The request for estimate should be included in the letter that accompanies the returned unit and must include a daytime phone number and/or e-mail address. We will contact the customer with a total after the unit has been evaluated, but before the work is performed.
- All estimates that are rejected for repair will be destroyed unless otherwise directed by the customer. Rejected equipment can be returned at the customer's expense for shipping and handling charges.

Billing:

All non-warranty repairs will be returned and billed to the customer unless otherwise directed. Kasco Marine accepts Visa and MasterCard credit card payments. Kasco Marine will call for credit card information upon completion of the estimate at the customer's request.

Please see the Product Support section of kascomarine.com for more information about warranty and repairs. Contact Kasco Marine at the number above or support@kascomarine.com for additional information and your closest Authorized Repair Center.

TROUBLESHOOTING TIPS

The following is provided to help diagnose a probable source of trouble. It is a guideline only and may not show all causes for all problems. For additional troubleshooting help, contact your local distributor or visit kascomarine.com for additional guidance. Note: you may need to refer to your owner's manual that was provided with your fountain for additional control panel settings and adjustments.

"The app isn't working properly."

The app may need to be reset.

- Unplug the lights for 30 seconds. Plug back in and reconnect the lights.
- Close the app for 30 seconds and reopen.

"My light kit is installed and wired but will not turn on."

It may not be dark enough for the photo eye on the control panel to activate.

- Kasco C-25 control panels have a photo eye on the left side of the enclosure exterior. This photo eye measures ambient light. To activate, the photo eye must not measure any ambient light for at least several minutes. Covering the photo eye with black electrical tape will activate the photo eye for testing. The C-25 timer must be turned on (fountain operating) to allow the light circuit to energize.

The timer may not be set properly.

- C-85, or C-95 control panel (and all 3-phase fountain control panels) with terminal connections and timer control for light kit: The control panel has a second timer for controlling the lights (no photo eye). Ensure the light timer is set to operate the lights. Ensure the fountain is turned on. The light timer will not energize the light kit unless the fountain circuit is energized.

The GFCI may be tripped.

- C-25 control panel: Reset the GFCI. If the GFCI does not reset, it could be a ground fault in the fountain wiring, or the light kit wiring. Unplug both the fountain and light kit and reset the GFCI. If it resets, plug the fountain then light kit back in to see which one trips the GFCI. If the GFCI does not reset with both unplugged, then the GFCI may be defective.
- C-85, or C-95 control panel with terminal connections and timer control for light kit: These panels use ground fault circuit breakers (GFCB). Check for any tripped circuit breakers and reset. This will turn the fountain and light kit back on (if the timers are set to on). If it trips again, disconnect the light kit from the terminals and reset. **WARNING!** You must turn off power to the panel before disconnecting any wiring from the terminals. If the breaker(s) trip with the light kit disconnected, then disconnect the fountain as well and reset. If the breaker continues to trip, it may be a defective breaker or panel wiring. If the breaker resets, reconnect the fountain then the light kit to see which one trips the GFCB.
- 3-phase fountain control panels: 3-phase fountain panels have a ground fault sensing module that will trip if either the light kit or fountain has a ground fault. To reset the module, simply press the reset button in the panel. This will turn the fountain and light kit back on if the timers are set to on. If it trips again, disconnect the light kit from the terminals and reset. **WARNING!** You must turn off power to the panel before disconnecting any wiring from the terminals. If the GFI module trips with the light kit disconnected, then disconnect the fountain as well and reset. If the GFI module continues to trip, it may be a defective module or an internal wiring issue with the panel. If the module resets, then reconnect the fountain then the light kit to see which one trips the module.

"My lights work, but they are not as bright as they were when first installed."

Dirty lenses may be to blame.

- Turn off power to the control panel and disconnect power cords to the fountain and the light kit. Bring the fountain to the shore and inspect the light kit lenses. Over time, algae growth and hard water deposits on the lenses can block light output. Clean the lenses with a soft brush and the light should be bright again.

"My lights keep turning on and off but is not tripping the GFCI."

The lights may not be submerged properly.

- Verify that the light is submerged to the indicated mark. If it is not, improper heat transfer may cause the thermal overload to activate. If this occurs, turn off the power to the fountain and lights and adjust the light bracket until proper submersion is achieved.

REPAIR CONTACT FORM

- Kasco requires that all equipment sent for repair **MUST** be accompanied by this form and marked to Repairs attention.
- Unit should be cleaned before shipping.
- Kasco is **NOT** responsible for shipping damage accrued in return shipment.
- It is the responsibility of the customer to ship and pay freight to Kasco.

Kasco Marine
 800 Deere Road
 Prescott, WI 54021
 Attn: Repairs

Note: Contact information should be that of the person or company to contact for repair information.

Company name			
Contact name	First name	Last name	
Address	Street		
	City		
	State		
	ZIP code		
Phone number	Primary	Alternate	
Email address			
Preferred method of contact (circle one)	Phone	Email	
Purchase order number			
Additional product information	Serial Number	Cord Length	
Was this unit used in a chemical treatment or wastewater application? (circle one)	Yes	No	
Additional notes			