



MOVING WATER FORWARD, SINCE 1968

LSTA PUSH-BUTTON CONTROLLER

For RGBW
WaterGlow Lighting

Operation Manual

Document number 884112
Document version 2023.1.0

800 Deere Rd. Prescott, WI 54021 | 715.262.4488 | sales@kascomarine.com | kascomarine.com

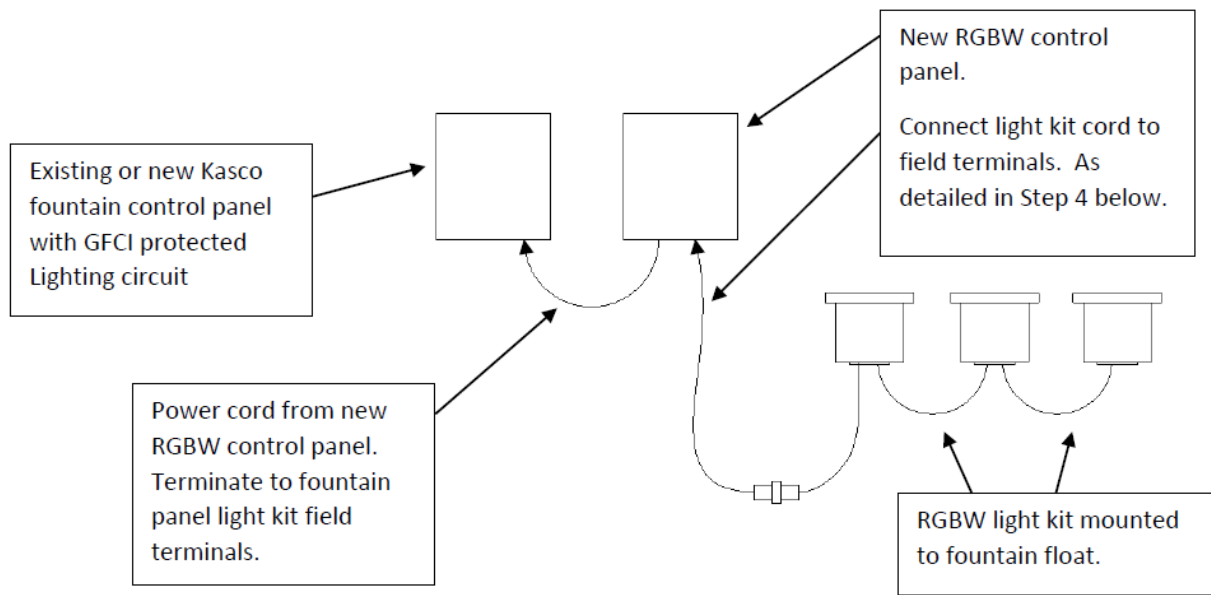
WIRING INSTRUCTIONS

1. Wiring the RGBW control panel to fountain control panel (refer to the RGBW control panel instructions for panel mounting and installation requirements). Connect the RGBW panel power cord to the Kasco Fountain control panel. The RGBW panel has flying leads to connect to the fountain panel terminal blocks used to connect a standard light kit.

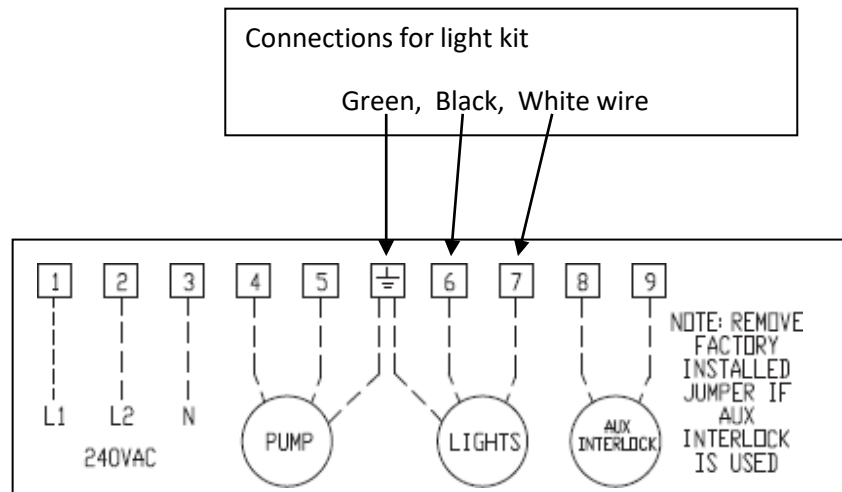
- C-85 and C-95 fountain control panels: Connect to terminal #'s. 6, 7, & Ground
- Green lead to Ground, Black lead to #6, & white lead to #7
- 3 phase CF fountain control panels connect to terminal #'s. 3, 4, & Ground lug
- Green to Gnd lug (ground lug), Black lead to #3, & white lead to #4

Refer to Fountain control panel instructions and schematics for detailed operation and connections.

Block Diagram of Light Kit and Control Panels

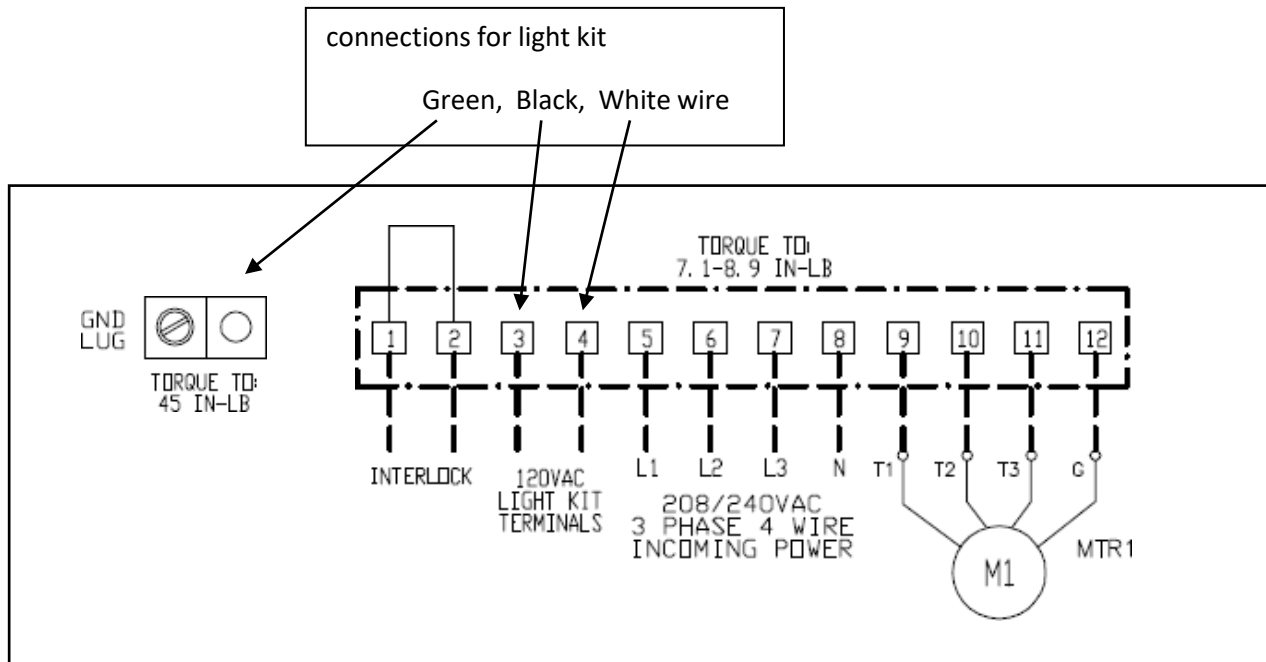


C-85 & C-95 Fountain Control Panel Field Terminal Connections



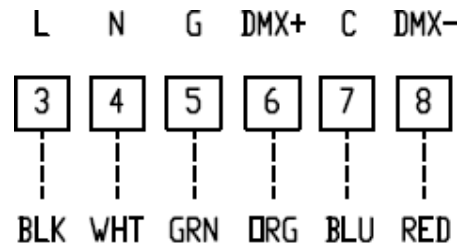
WIRING INSTRUCTIONS (CONT.)

3-Phase Fountain Control Panel Field Terminal Connections



2. Wiring RGBW light kit to RGBW control panel.

- With power disconnected to the RGBW control panel, connect the light kit cord to the RGBW control panel wire terminals
- Terminal #3 to Black wire (line)
- Terminal #4 to white wire (neutral)
- Terminal #5 to Green wire (ground)
- Terminal #6 to Orange wire (DMX+)
- Terminal #7 to Blue wire (DMX common)
- Terminal #8 to Red wire (DMX-)



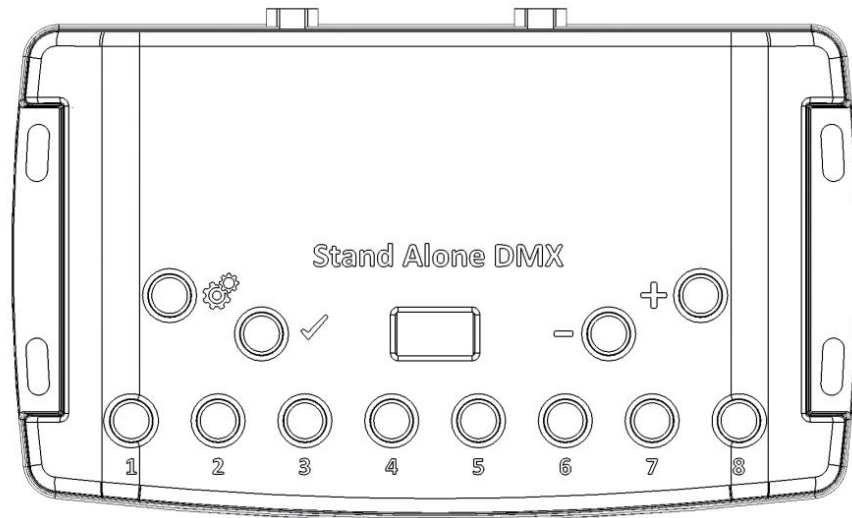
Field connection Terminals in RGBW control panel.

Connect the Light kit cord connections to these terminals.

2. Energizing the RGBW control panel

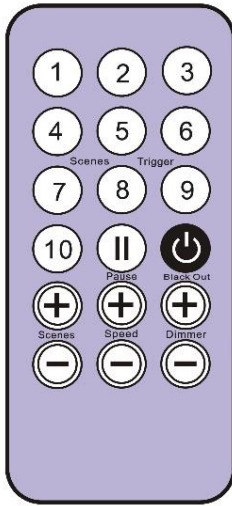
- With all wiring connections made, light kit installed on the fountain, and fountain in the water, it is time to energize the control panels. Energize the fountain panel and set the fountain and light timers to ON. This will start the fountain and energize the RGBW control panel.
- With the RGBW panel now energized you can follow instructions in Step 6 below to control the lights with the RGBW controller.
- NOTE: The RGBW control panel must be powered by a GFCI protected 120Vac 60hz circuit. Kasco fountain control panels provide this GFCI protected circuit as part of their light kit control circuit. Refer to your fountain owner's manual for setting the timers and installation of fountain control panels.

LSTA BUTTON CONTROLLER



1. The Gear button can be used to change setting mode: Pressing the gear button will display one of the following:
 - SA = standalone mode. This is the mode we use to choose scenes on buttons 1-8 or with the -/+ buttons.
 - PA = change scene page. 10 pages (P0, P1, P2....P9) are available for a total of 80 scenes.
 - This will adjust what scenes buttons 1-8 select.
 - Co = Change color. Use the - /+ buttons adjust the color from 0 to 99 this is similar to a color wheel that will change the color from blue to green to red to white with colors in between
 - SP = Change speed of a color changing scene use the -/+ buttons to change speed from -9 - 0 - 9. -9 is slowest, 0 is normal speed, 9 is fastest.
 - dl = Dimmer change how bright the lights are. If you go above -9 to 0 is off to normal full brightness. 1 to 9 will add white light to the color until it is all white at 9
2. The row of buttons 1 through 8 are for choosing scenes. Default (P0) they choose scenes 1-8. That can be shifted to choose 9-16, 17-24, 25-32, 33-40, etc.... depending on which PA (page) is chosen.
 - To change the PA (page) press the gear button until the screen shows PA, then press the + or - button to increment from PA to P0, P1, P2, P3, P4, etc...
 - P0 = scenes 1-8, P1 = 9-16, P2 = 17-24, P3 = 25-32, P4 = 33-37 (37scenes are programmed)
3. You can also manually increment through the scenes in Standalone mode (SA) by pressing the - or + buttons and then the check mark button. This will activate the scene # you choose.

CONTROLLER OPERATION



4. Remote control: you can use the remote to change scenes, speed of a color changing scene, dimmer, and turn off a scene.

- Buttons 1 through 10 will choose scenes 1 through 10 directly.
- Scenes can also be incremented up or down with the +/- scene buttons.
- This is how to set a scene number above 10.
- Speed can be adjusted up or down with the +/- speed buttons. Must be a color changing scene
- Dimmer can be adjusted up or down with the +/- dimmer buttons.
- Turn a scene off with the black out button. To turn back on you must select a scene again.
- Pause will stop a color changing scene, press again at it will resume.

The button controller scenes are as numbered below.

1	White (RGBW)	19	7 color quick fade (RGBYCMO)
2	Red	20	7 color slow fade (RGBYCMO)
3	Green	21	12 color quick fade
4	Blue	22	12 color slow fade
5	Cyan	23	RGB quick jump
6	Magenta	24	RGB slow jump
7	Yellow	25	CMY quick jump
8	White (only white)	26	CMY slow jump
9	Orange	27	7 color quick jump (RGBYCMO)
10	Teal	28	7 color slow jump (RGBYCMO)
11	Lime	29	Christmas (fades between Red and Green)
12	Pink	30	Breast Cancer awareness (fades between pink and Magenta)
13	RGB quick fade (cycles Red - Green - Blue)	31	4th of July jump (jump between Red - White - Blue)
14	RGB slow fade (cycles Red - Green - Blue)	32	4th of July fade (fade between Red - White- Blue)
15	RGBW quick fade (Red - Green - Blue - White)	33	Valentine's day (Red and Pink fade)
16	RGBW slow fade (Red - Green - Blue - White)	34	Flame 1 (orange & yellows dancing around) *
17	CMY quick fade (Cyan - Magenta - Yellow)	35	Flame 2 (faster than flame 1)*
18	CMY slow fade (Cyan - Magenta - Yellow)	36	Rainbow*
		37	Rainbow slow roll*

* Must set each fixture to different starting address OF: 1, 5, 9 for full effect