



# Kasco®

MOVING WATER FORWARD, SINCE 1968



# 2025 PRODUCT CATALOG

50HZ RETAIL

[kascomarine.com](http://kascomarine.com)

Fountains | Lighting | Circulators | De-icers | Surface Aerators | Diffused Aerators | Pond Probiotics | Accessories



# MOVING WATER FORWARD

At Kasco, we help people realize the full potential of the water in their world. Our products are the most efficient and effective solutions for improving, protecting, and beautifying water.

# OUR PEOPLE MAKE KASCO THE BEST IN THE BUSINESS

Superior customer service is in our DNA. From design and development to delivery and support, we provide an unwavering commitment to our customers.



# COMPANY HISTORY

For more than 55 years, Kasco has set the industry benchmark for quality products, personalized service, and fast delivery. Learn more about our story below.



**1968**

Marina owner, Bill Skluzacek, developed a de-icing unit to prevent ice from damaging boats in the water over winter. His innovation catches the attention of marina-goers, and Kasco is born.

**1980**

Operations moved to a phone-switching building in St. Croix Beach, MN, and Kasco hired a full-time staff. This building was used as the main office for 15 years.



**1988**

Kasco traveled to Alaska with our De-icers to help rescue whales stuck underneath the ice. The De-icers were able to keep areas of ice open, allowing the whales to swim to safety. The story gained national media attention.

**1988**

The De-icer was modified by adding a float above the propeller, creating Kasco's first surface aerator.



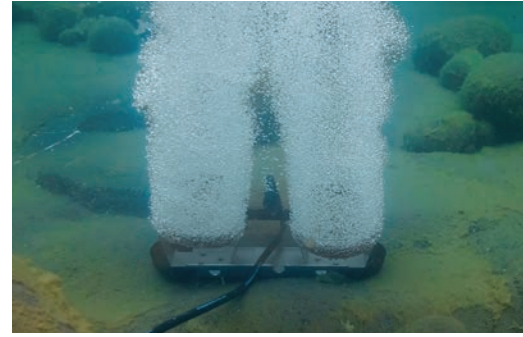
Above: Founder Bill Skluzacek (right) at the Afton Marina demonstrating an early de-icer unit.





**1989**

Kasco modified the surface aerator by adding a nozzle inside the float, creating our first floating fountains.



**2010**

Kasco introduced RobustAire™ Diffused Aeration Systems. 2022-2024 marked an extensive redesign of the product line.

**2022**

Kasco completed remodeling and expansion projects in 2007, 2013, and 2022, which grew our facility to nearly 100,000 sq. ft.



“As always, the staff at Kasco has been great to work with – from order placement to repairs, they have the answers you’re looking for with quick turnaround to boot! Keep up the good work.”

– MIKE





# TABLE OF CONTENTS

Moving Water Forward.....	2
Why Kasco.....	3
History of Kasco .....	4
Table of Contents.....	7
Fountains	
EJ Series .....	8
EJ Series Premium Nozzles.....	12
EVFX Series .....	14
WaterGlow Lighting .....	18
Composite LED.....	19
AquatiClear™ Circulators .....	20
De-icers .....	24
Surface Aerators .....	28
RobustAire™ Diffused Aeration Systems .....	32
TeichAire Compressors .....	38
Unit Mounting Options .....	41
Pond Probiotics.....	42
Warranty .....	44
Product Return & Repair.....	46
Shipping & Patents .....	47



# EJ SERIES

## Elegant Fountain Displays

Kasco EJ Series Fountains offer dramatic, aesthetically pleasing displays at the best value on the market. Designed with both beauty and function in mind, each package includes multiple twist-and-lock nozzles at no extra charge, allowing you to choose patterns ranging from attention-demanding geysers to elegant 3-tier displays.



Packages include motor unit, 15m mooring ropes, multiple nozzles, and power cord.

Available in 1/2 - 5HP sizes and single and three phase options to fit virtually any application.

2HP per 4,000m<sup>2</sup> recommended for proper aeration.





5 Display  
Patterns




Impressive  
Heights & Widths



Easily Change  
Nozzles



Snap-on  
Lights Available



# EJ SERIES FOUNTAINS

- Includes an impeller guard and bottom screen to prevent clogging
- Stub cord includes quick disconnect and stainless steel strain relief
- Customer or installer adds additional length power cord as needed



5 Patterns Available\*



Premium Nozzles Available



Shallow Operating Depths\*\*



Lighting Packages Available



2-Year Warranty



CE Marked

## EJ FOUNTAIN PACKAGES

PART #	HP	VOLT	PHASE	CORD LENGTH (m)
2400EJF000	1/2	220	1	Stub Cord (1m)
2400EJF010	1/2	220	1	10
2400EJF030	1/2	220	1	30
3400EJF000	3/4	220	1	Stub Cord (1m)
3400EJF010	3/4	220	1	10
3400EJF030	3/4	220	1	30
4400EJF000	1	220	1	Stub Cord (1m)
4400EJF010	1	220	1	10
4400EJF030	1	220	1	30
8400EJF000	2	220	1	Stub Cord (1m)
2.3EHJF000	2	380	3	Stub Cord (1m)
3.1EJF000	3	220	1	Stub Cord (1m)
3.3EHJF000	3	380	3	Stub Cord (1m)
5.3EHJF000	5	380	3	Stub Cord (1m)

\*All HP can achieve 5 patterns. 1/2 and 3/4HP units can operate without a nozzle to create the Willow Pattern. 1, 2, 3, and 5HP units arrive from the factory with the Birch Pattern pre-installed. See table below to see which patterns come with each HP.

\*\*1/2HP units operate in as little as 45cm of water. 3/4HP units operate in as little as 49cm of water. 1HP units operate in as little as 51cm of water. 2HP units operate in as little as 61cm of water. 3HP units operate in as little as 67cm of water. 5HP units operate in as little as 72cm of water.

### Product Notes:

1. Custom cord lengths available. Contact Kasco for details.
2. Food grade mineral oil option available. Contact Kasco for pricing.
3. 2.3, 3.1, 3.3, and 5.3 units feature stainless steel motor tops, legs, bottom screen, and flex sleeving on stub cord.



NEVER enter the water with electrical equipment connected and / or in operation.

## PATTERN DIMENSIONS

HP	PATTERN DIMENSIONS (H X W) (m)							
	SEQUOIA	CYPRESS	WILLOW	LINDEN	BIRCH	BALSAM	REDWOOD	SPRUCE
1/2	3.2 x 2.4	1.8 x 4.5	1.6 x 5.2	2.3 x 6.7	1.7 x 1.5	-	-	-
3/4	3.5 x 2.4	2.1 x 5.5	1.9 x 5.8	2.7 x 8.5	2.1 x 2	-	-	-
1	-	-	-	3.4 x 9.4	2.3 x 2.4	2.9 x 7.3	4.9 x 1.5	4.7 x 2.1
2	-	-	-	5.2 x 10.7	3.5 x 3	4.9 x 9.4	6.9 x 1.8	6.6 x 2.7
3	-	-	-	5.5 x 11.9	4.9 x 2.7	3.8 x 7.9	7.2 x 1.8	7 x 2.7
5	-	-	-	6.2 x 12.2	5.8 x 3	4.7 x 9.4	8.1 x 1.8	7.9 x 2.7



**SEQUOIA**



**BIRCH**



**CYPRESS**



**BALSAM**



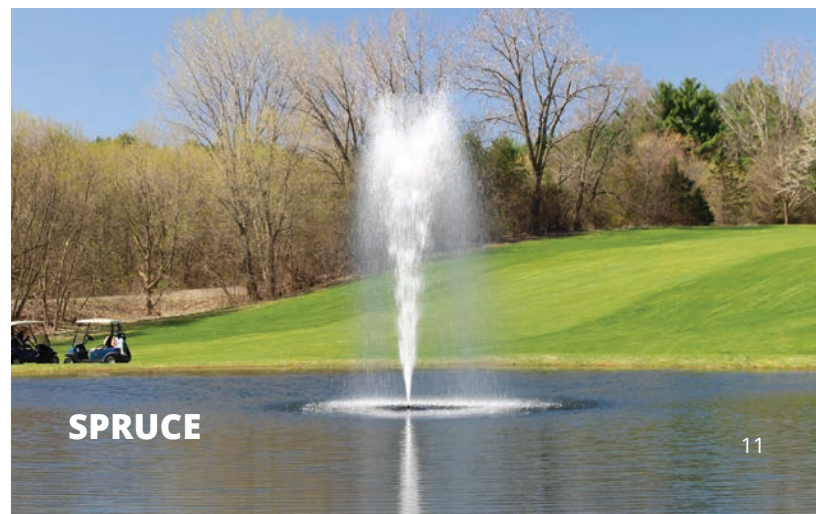
**WILLOW**



**REDWOOD**



**LINDEN**



**SPRUCE**

# PREMIUM NOZZLES

## EJ SERIES FOUNTAINS

Further define your EJ Series experience with a Premium Nozzle, now available for all HP sizes. Purchased separately, Kasco Premium Nozzles provide crisp and distinct streams of water for dramatic and attention-demanding displays.



Fern



Available for ALL EJ Series Fountains



4 Pattern Choices for 1/2 & 3/4HP Units



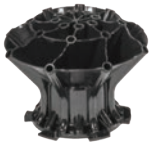
6 Pattern Choices for 1, 2, 3, & 5HP Units



Twist-and-lock Installation



Purchased Separately



Mighty Oak



Magnolia



Mahogany



Madrone



Palm

PATTERN	NEW - 1/2 & 3/4HP PART NUMBERS & DIMENSIONS (H x W) (m)			1, 2, 3 & 5HP PART NUMBERS & DIMENSIONS (H x W) (m)				
	PART #	1/2HP	3/4HP	PART #	1HP	2HP	3HP	5HP
<b>Mighty Oak</b>	431335K	2.1 x 5.3	2.9 x 7.9	841335K	3.4 x 10.4	5 x 14.6	5.9 x 17.1	6.9 x 18.3
<b>Magnolia</b>	431325K	2 x 6.1	2.6 x 8.8	841325K	2.9 x 10.1	4.4 x 15.2	5.3 x 17.1	6.2 x 22.6
<b>Mahogany</b>	431345K	2.4 x 5.5	3.2 x 7.9	841345K	3.2 x 9.1	5 x 13.4	5.9 x 17.1	6.9 x 18.9
<b>Madrone</b>	431330K	2.4 x 6.1	3.4 x 8.5	841330K	3.4 x 9.4	5 x 14.6	6.1 x 17.1	7 x 18.9
<b>Palm</b>	-	-	-	841320K	2.6 x 6.1	3.8 x 8.5	4.7 x 10.1	5.1 x 10.4
<b>Fern</b>	-	-	-	841315K	2.4 x 8.5	4 x 10.4	4.9 x 15.8	6.1 x 19.8



**MIGHTY OAK**



**MAGNOLIA**



**MAHOGANY**



**MADRONE**



**PALM**



**FERN**  
*Best in Narrow Ponds*



# EVFX SERIES

## The Best of Beauty and Aeration

Kasco EVFX Series Fountains is the choice for an elegant display with superior aeration benefits. These high-flow units are efficient, easy to install and operate, and are ideal for many applications.



Packages include motor unit, float, 15m mooring ropes, and power cord.

Available in 1/2 - 3HP sizes and single and three phase options to fit virtually any application.

1.5HP per 4,000m<sup>2</sup> recommended for proper application.




Classic  
V-shaped Pattern

A white line-art icon inside a teal circle, depicting a V-shaped fountain pattern with water spraying outwards from a central point.

Combines  
Beauty & Aeration

A white line-art icon inside a teal circle, showing a fountain with water spraying outwards, with three vertical lines representing aeration or air being pumped into the water.

Snap-on  
Lights Available

A white line-art icon inside a teal circle, showing a hand snapping a light fixture into place.

1-Piece Float  
for Easy Assembly

A white line-art icon inside a teal circle, showing a wrench and a screwdriver crossed, symbolizing assembly.

# EVFX SERIES FOUNTAINS

- 1/2, 3/4, 1, & 3HP available as single phase
- 3HP also available as three phase
- Includes bottom screen to prevent clogging
- Stub cord includes quick disconnect and stainless steel strain relief
- Customer or installer adds additional length power cord as needed



Classic V-shaped Pattern



Shallow Operating Depths\*



Lighting Packages Available



2-Year Warranty



CE Marked

PART #	HP	VOLT	PHASE	CORD LENGTH (M)
2400EVFX000	1/2	220	1	Stub Cord (1m)
2400EVFX010	1/2	220	1	10
2400EVFX030	1/2	220	1	30
3400EVFX000	3/4	220	1	Stub Cord (1m)
3400EVFX010	3/4	220	1	10
3400EVFX030	3/4	220	1	30
4400EVFX000	1	220	1	Stub Cord (1m)
4400EVFX010	1	220	1	10
4400EVFX030	1	220	1	30
3.1EVFX000	3	220	1	Stub Cord (1m)
3.3EHVFX000	3	380	3	Stub Cord (1m)

\*1/2HP units operate in 45cm of water. 3/4HP units operate in 49cm of water. 1HP units operate in 51cm of water. 3HP units operate in 67cm of water.

Product Notes:

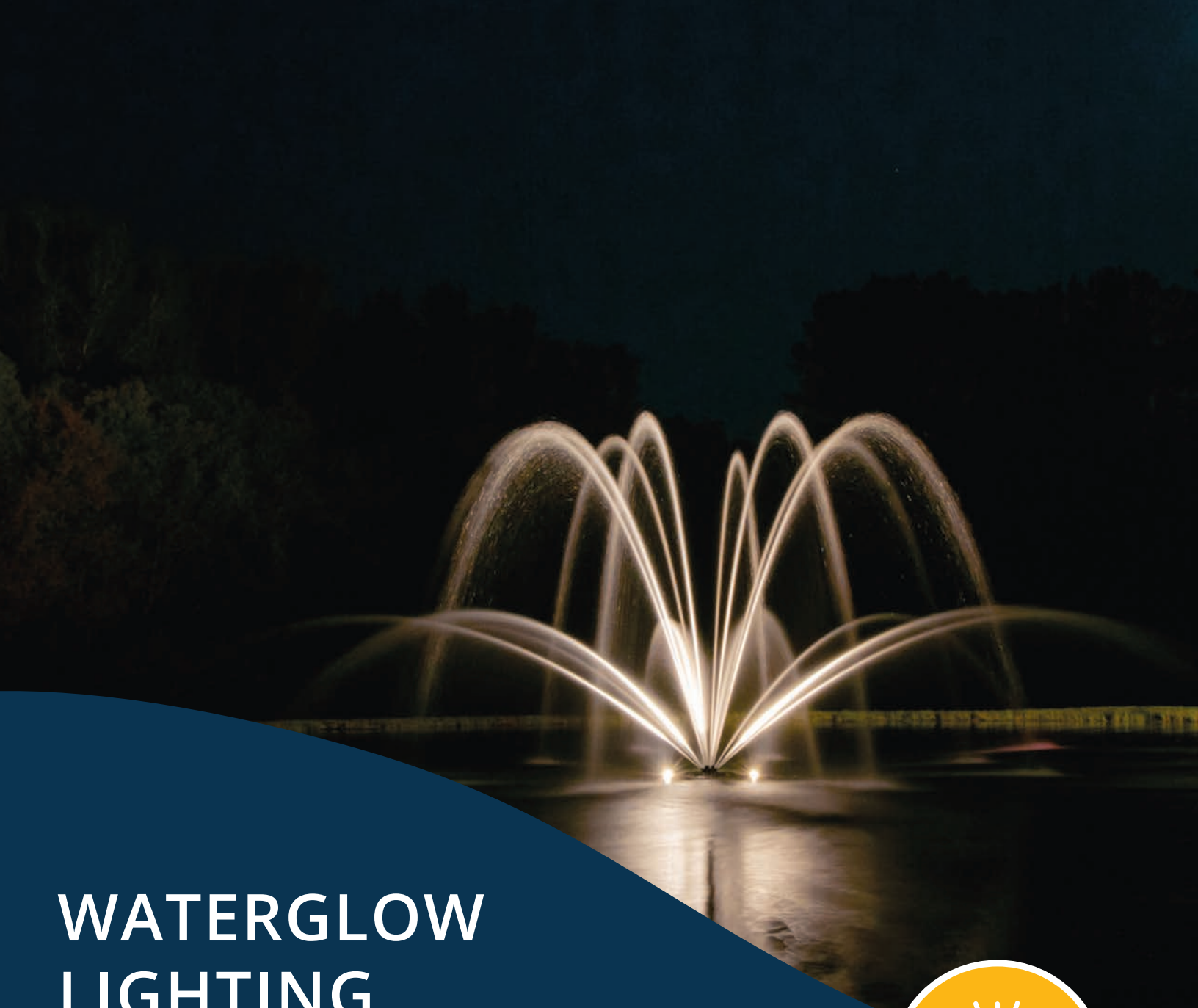
1. Custom cord lengths available. Contact Kasco for details.
2. Food grade mineral oil option available. Contact Kasco for pricing.



NEVER enter the water with electrical equipment connected and / or in operation.







# WATERGLOW LIGHTING

## Add Beauty to Your Evening Displays

Kasco WaterGlow Lighting dramatically illuminates your fountain or surface aerator pattern during the evening hours. Available in composite housings and with several color options, these versatile LED lights are a perfect addition to your display.



Adds breathtaking beauty for extended enjoyment of your water feature.

Several fixture configurations to suit a variety of applications.

Energy efficient with bright technology.

# COMPOSITE NON-CE MARKED

These LED Lighting Systems provide classic elegance and include 4 colored lenses to create the perfect illuminated display.

- Available for fountains and surface aerators
- Includes light fixtures, snap-on clips, stub cord, colored lenses, lens caps, and waterproof disconnect caps
- 3- and 6-fixture kits available



Displays White and Includes Red, Green, Blue, and Amber Lenses



Durable Composite Fixtures for Watertight Operation



11 Watts and 910 Lumens Per Fixture



2-Year Warranty

## LIGHT KIT PACKAGES

PART #	AVAILABLE FOR	CORD LENGTH (m)
3-FIXTURE KITS		
LED3C11-000E	1/2 - 1HP units	Stub Cord (1m)
LED3C11-030E	1/2 - 1HP units	30m
6-FIXTURE KITS		
LED6C11-000E	2 - 5HP units	Stub Cord (1m)
LED6C11-030E	2 - 5HP units	30m

## LIGHT KIT ACCESSORIES

PART #	DESCRIPTION
840303	3-light kit adapter for 3-piece sectional floats
840306	6-light kit adapter for 3-piece sectional floats



# AQUATICLEAR™

## Clog-Resistant Waterfront Management

AquatiClear™ by Kasco is a clog-resistant circulator that keeps water near docks, canals, and shorelines free of floating debris and foul odors. Utilizing patented Clean Current Technology™, AquatiClear features a prop guard with smooth, rounded tines that allow debris to slip by instead of collect around the unit, meaning continuous operation and less maintenance.



Packages include motor unit and power cord. Mounting options available.

Crown-like prop guard with smooth, rounded tines decreases clogging from floating algae and debris.

Versatile mounting options allow AquatiClear to direct the flow of water to address specific areas.



BEFORE

Clears Shorelines  
of Floating Debris

Debris Slips by  
Instead of Clogging

Less Clogging  
Reduces Maintenance



AFTER



Kasco AquatiClear  
Circulators provide a  
strong, directional flow of  
water to clean and clear  
waterfront property.

# AQUATICLEAR™

## CLOG-RESISTANT CIRCULATOR

- 220V, single phase options
- Marine-grade stainless steel for saltwater / brackish water compatibility
- Purchased as stand-alone unit, or as part of a Horizontal Float or Universal Mount package
- Universal Mounts include the Simple Swivel bracket
- Shallow Water Install Kit available



1/2 and 3/4HP  
Available



Crown-like Prop Guard  
Decreases Clogging



2-Year Warranty



CE Marked

### AQUATICLEAR PACKAGES

PART #	HP	VOLT	PHASE	CORD LENGTH (m)
UNIT ONLY PACKAGES - "EC" (NO MOUNT)				
2400EC000	1/2	220	1	Stub Cord (1m)
2400EC010	1/2	220	1	10
2400EC030	1/2	220	1	30
3400EC000	3/4	220	1	Stub Cord (1m)
3400EC010	3/4	220	1	10
3400EC030	3/4	220	1	30
UNIT AND HORIZONTAL FLOAT PACKAGES - "ECFM"				
2400ECFM000	1/2	220	1	Stub Cord (1m)
2400ECFM010	1/2	220	1	10
2400ECFM030	1/2	220	1	30
3400ECFM000	3/4	220	1	Stub Cord (1m)
3400ECFM010	3/4	220	1	10
3400ECFM030	3/4	220	1	30
UNIT AND UNIVERSAL MOUNT PACKAGES - "ECDM" (CUSTOMER MUST SUPPLY PIPE)				
2400ECDM000	1/2	220	1	Stub Cord (1m)
2400ECDM010	1/2	220	1	10
2400ECDM030	1/2	220	1	30
3400ECDM000	3/4	220	1	Stub Cord (1m)
3400ECDM010	3/4	220	1	10
3400ECDM030	3/4	220	1	30

#### Product Notes:

1. If AquatiClear is installed less than .5m below the surface, a Shallow Water Install Kit is recommended. See page 23.
2. Do not install too close to the bottom of waterbody. Improper placement can disturb bottom sediment. Check local regulations for guidelines and restrictions.
3. Custom cord lengths available. Contact Kasco for details.
4. Food grade mineral oil option available. Contact Kasco for pricing.

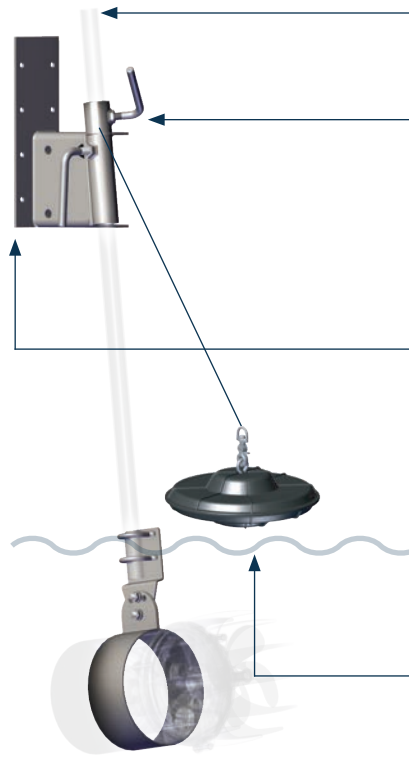
### AQUATICLEAR ACCESSORIES

PART #	DESCRIPTION
243609	Shallow Water Install Kit

# AQUATICLEAR MOUNTING OPTIONS

## Universal Mount

Mount AquatiClear to a dock or similar structure and easily adjust its angle and depth. Adjust rotation with the patented Simple Swivel bracket. Mount includes a lifetime warranty.



### CUSTOMER-SUPPLIED PIPE

1 in. / 25 DN threaded or unthreaded pipe purchased separately.

### SIMPLE SWIVEL BRACKET

Rotate AquatiClear to direct flow of water in desired direction. Included with Universal Mount.

### U-BOLT KIT

Optional U-bolt Kit (PN 997108K) attaches base plate to dock piling without drilling into structure. Use with Universal Mount. See page 41.

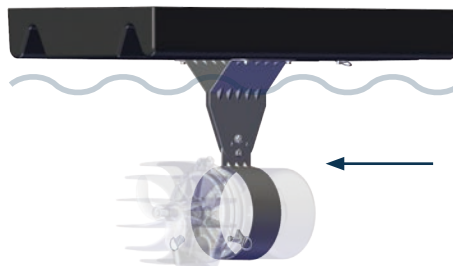


### SHALLOW WATER INSTALL KIT

Optional Shallow Water Install Kit (PN 243609) allows for installation in shallow applications without loud whirlpool noise at the surface. See page 22.

## Horizontal Float

Secure AquatiClear on the surface with three ropes and tie-down loops. Three angles of orientation moves water in desired direction. Float includes a 3-year warranty.



### EASILY SECURE & ADJUST

Secure AquatiClear at the surface with high-strength tie-down loops and several adjustment options.



Pair Kasco AquatiClear Circulators with Pond Probiotics for maximized results. See page 42 for details.



# DE-ICERS

## The Most Ice Protection for Your Property

By pushing warmer water up, Kasco De-icers create an opening at the water's surface, keeping boats and docks safe from damaging ice buildup. De-icers also keep fish and aquatic species healthy throughout the winter by allowing oxygen to enter the open water areas. Whether in a pond, lake, or marina, Kasco De-icers provide a hassle-free solution for maintaining clear, open water.



Packages include motor unit, power cord, and 2 mooring ropes. Mounting options available.

Creates more thrust than any other de-icing product. More thrust means more open water to protect your property.

Optional dock mount kits allow for easy angle and depth adjustments allowing de-icers to fit countless applications.





Creates More  
Open Water for the  
Best Ice Protection



Lightweight and  
Easy to Install



Stainless Steel  
Components for  
Durability



Provides a  
Healthy Aquatic  
Environment



# DE-ICERS

## #1 SELLING, BEST PERFORMING DE-ICER

- 220V, single phase options
- Includes (2) 6m mooring ropes
- Mount with ropes or optional Universal or Industrial Mount Kits



1/2, 3/4, & 1HP  
Available



Prevents Ice Buildup and Improves  
Aquatic Environment



2-Year Warranty



CE Marked

PART #	HP	VOLT	PHASE	CORD LENGTH (m)
UNIT ONLY PACKAGES - "ED" (NO MOUNT)				
2400ED000	1/2	220	1	Stub Cord (1m)
2400ED010	1/2	220	1	10
2400ED030	1/2	220	1	30
3400ED000	3/4	220	1	Stub Cord (1m)
3400ED010	3/4	220	1	10
3400ED030	3/4	220	1	30
4400ED000	1	220	1	Stub Cord (1m)
4400ED010	1	220	1	10
4400ED030	1	220	1	30

**Product Notes:**

1. De-icers should be placed 1.2-1.8m below the surface, and .3m off the bottom.
2. Mounting option sold separately. See page 41 for details.
3. All Kasco De-icers ship completely assembled. No hardware is needed unless using an optional Universal Mounting Kit.



De-icers create areas of open water which could be dangerous to people or animals nearby. Consider posting a warning sign near the area.



NEVER enter the water with electrical equipment connected and / or in operation.

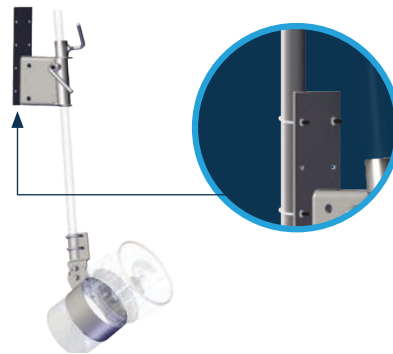
# DE-ICER ACCESSORIES

## MOUNTING OPTIONS

Secure your Kasco De-icer to a dock or similar structure using the included ropes or optional Universal Mount. Choose depth, angle, and flow of water to achieve desired results. Use an optional U-bolt Kit with the Universal Mount to attach the base plate to dock piling without drilling into structure. See page 41.



Mooring Ropes  
(Included)



Universal Mount  
(Purchased Separately)

Optional U-bolt Kit  
(PN 997108K) shown  
attaching mount  
base to dock piling.

PART #	DESCRIPTION
243485	Universal Mount (Customer supplies 1 in. / 25 DN nominal threaded or unthreaded pipe and (8) 5/16 in. lag screws to mount base plate to dock. If a U-bolt Kit is used, these lag screws are not needed. Hardware for mount assembly is included.)
997108K	U-bolt Kit for drill-free installation (Each kit includes 2 u-bolts and associated hardware.)

### Product Notes:

1. Industrial Mounts are available for units in harsh environments.
2. Universal Mounts require (1) U-bolt Kit, Industrial Mounts require (2) U-bolt Kits.



Kasco De-icers create more open water for the most protection against ice buildup. This keeps your boat, dock, or other in-water property safe throughout the winter.





# SURFACE AERATORS

## High Oxygen Transfer at Extreme Value

Kasco Surface Aerators push high volumes of water into the air. This process increases the overall health of your water and keeps it thoroughly mixed. Introducing oxygen and water movement breaks up stratification, eliminates odor, discourages algae growth, and promotes a healthy aquatic environment.



Packages include motor unit, 15m mooring ropes, and power cord.

Available in 1/2 - 3HP, single or three phase options to fit a variety of applications.

Proven aeration performance for continuous, supplemental, or emergency use.

Great for  
Backyard Ponds,  
Fish Farms, and More



For Continuous or  
Supplemental Use



Pair with  
WaterGlow  
Lighting Kit



Ideal in Depths  
Less than 2.4m



# SINGLE PHASE

## SURFACE AERATOR

- 1/2, 3/4, 1, 2, & 3HP available as single phase
- 2 and 3HP also available as three phase
- BTM SCR models include a bottom screen to prevent clogging
- Stub cord includes quick disconnect and strain relief



Lighting Packages Available



Shallow Operating Depths\*



Pair with Pond Probiotics for Maximized Results



2-Year Warranty



CE Marked

MODEL	HP	VOLT	PHASE	CORD LENGTH (m)
2400EAF000	1/2	220	1	Stub Cord (1m)
2400EAF010	1/2	220	1	10
2400EAF030	1/2	220	1	30
2400EAF000 (BTM SCR)	1/2	220	1	Stub Cord (1m)
2400EAF010 (BTM SCR)	1/2	220	1	10
2400EAF030 (BTM SCR)	1/2	220	1	30
3400EAF000	3/4	220	1	Stub Cord (1m)
3400EAF010	3/4	220	1	10
3400EAF030	3/4	220	1	30
3400EAF000 (BTM SCR)	3/4	220	1	Stub Cord (1m)
3400EAF010 (BTM SCR)	3/4	220	1	10
3400EAF030 (BTM SCR)	3/4	220	1	30
4400EAF000	1	220	1	Stub Cord (1m)
4400EAF010	1	220	1	10
4400EAF030	1	220	1	30
4400EAF000 (BTM SCR)	1	220	1	Stub Cord (1m)
4400EAF010 (BTM SCR)	1	220	1	10
4400EAF030 (BTM SCR)	1	220	1	30
8400EAF000	2	220	1	Stub Cord (1m)
8400EAF000 (BTM SCR)	2	220	1	Stub Cord (1m)
2.3EHAF000	2	380	3	Stub Cord (1m)
2.3EHAF000 (BTM SCR)	2	380	3	Stub Cord (1m)
3.1EAF000	3	220	1	Stub Cord (1m)
3.1EAF000 (BTM SCR)	3	220	1	Stub Cord (1m)
3.3EHAF000	3	380	3	Stub Cord (1m)
3.3EHAF000 (BTM SCR)	3	380	3	Stub Cord (1m)

\*1/2HP units operate in 45cm of water. 3/4HP units operate in 49cm of water. 1HP units operate in 51cm of water. 2HP units operate in 61cm of water. 3HP units operate in 67cm of water.

Product Notes:

1. Custom cord lengths available. Contact Kasco for details.
2. Food grade mineral oil option available. Contact Kasco for pricing.



NEVER enter the water with electrical equipment connected and / or in operation.





# ROBUSTAIRE™ DIFFUSED AERATION

## Move & Aerate Large Volumes of Water

Restore your water's natural ecosystem by adding mixing and movement with RobustAire™. A shore-mounted compressor pushes air through self-weighted lines to a dual-loop diffuser at the bottom of the pond, lake, or tank. This induces oxygen transfer and beneficial mixing to prevent weed overgrowth, algae, unpleasant odors, fish kills, and other issues.




Packages include dual-loop diffuser(s), compressor(s), and compressor cabinet.

Patented AireGuard Cabinet Technology revolutionizes air movement for superior cooling and less maintenance.

Dual-loop diffuser assembly will not clog, includes strain relief, and will land right-side up every time.





Dual-action  
Filtering Removes  
Dust and Debris



Reliable in  
Tough Outdoor  
Conditions



Cabinet Design  
Ensures Quiet  
Operation



Filter Minder  
Turns Red When  
Cleaning is Needed



# ROBUSTAIRE™

## SMALL SYSTEMS WITH AIREGUARD CABINET TECHNOLOGY

- Dual-loop diffuser provides high volumes of upward water movement
- Includes 1 - 3 diffuser assemblies, 1 compressor, and small cabinet
- SureSink Weighted Tubing is not included
- Ideal for small to mid-size ponds and lakes



Small Cabinet with Patented AireGuard Cabinet Technology



Dual-loop Diffuser Provides Efficient Water Movement



Filter Maintenance Indicator for Easy Maintenance



Lifetime Warranty - Diffuser & Cabinet  
 15-Year Warranty - Tubing  
 3-Year Warranty - Compressor  
 2-Year Warranty - Compressor Piston Cups & Cylinders

SYSTEMS INCLUDE	NO-CABINET	POST MOUNT CABINET	SMALL CABINET	REMOTE MANIFOLD SYSTEMS Allows remote installation of cabinet, compressors, and valves. Systems include remote valve manifold and valve box.
	220V	220V	220V	
<b>SYSTEM 1</b> (1) Diffuser Assembly (1) 1/4HP Compressor	RAE1-NC	RAE1-PM	RAE1	Allows remote installation of cabinet, compressors, and valves. Systems include remote valve manifold and valve box.
<b>SYSTEM 2</b> (2) Diffuser Assemblies (1) 1/2HP Compressor	RAE2-NC	RAE2-PM	RAE2	
<b>SYSTEM 3</b> (3) Diffuser Assemblies (1) 1/2HP Compressor	RAE3-NC	RAE3-PM	RAE3	

Product Notes:

1. Small Cabinets (ex. RAE1) are ground-mount standard. Mounting Bracket available separately with part number 774300. See page 40 for details.
2. RAE systems do not include tubing. Customer must source tubing or purchase separately from Kasco.
3. For tubing lengths over 100m for one diffuser run, use 5/8 in. (15.9mm) SureSink tubing for that diffuser run.
4. Remote Manifold systems are available for long distance applications. These systems should be purchased when a power source is not available at the water's edge.
5. No-Cabinet systems (RAE-NC) include universal compressor mounting kit with cooling fan.
6. TeichAire Compressor details are included on page 38.

# ROBUSTAIRE™

## MEDIUM SYSTEMS WITH AIREGUARD CABINET TECHNOLOGY

- Dual-loop diffuser provides high volumes of upward water movement
- Includes 4 - 6 diffuser assemblies, 2 compressors, and medium cabinet
- SureSink Weighted Tubing is not included
- Ideal for mid-sized ponds and lakes



Medium Cabinet with Patented AireGuard Cabinet Technology



Dual-loop Diffuser Provides Efficient Water Movement



Filter Maintenance Indicator and External Gauges



Lifetime Warranty - Diffuser & Cabinet  
 15-Year Warranty - Tubing  
 3-Year Warranty - Compressor  
 2-Year Warranty - Compressor Piston Cups & Cylinders

SYSTEMS INCLUDE	MEDIUM CABINET	REMOTE MANIFOLD SYSTEMS
	220V	Allows remote installation of cabinet, compressors, and valves. Systems include remote valve manifold and valve box.
<b>SYSTEM 4</b> (4) Diffuser Assemblies (2) 1/2HP Compressors Medium Cabinet	RAE4	Allows remote installation of cabinet, compressors, and valves. Systems include remote valve manifold and valve box.
<b>SYSTEM 5</b> (5) Diffuser Assemblies (2) 1/2HP Compressors Medium Cabinet	RAE5	
<b>SYSTEM 6</b> (6) Diffuser Assemblies (2) 1/2HP Compressors Medium Cabinet	RAE6	



Kasco's experienced team of experts will help you select the right system for your application.

# ROBUSTAIRE™

## LARGE SYSTEMS WITH AIREGUARD CABINET TECHNOLOGY

- Dual-loop diffuser provides high volumes of upward water movement
- Includes 7 - 12 diffuser assemblies, 3 - 4 compressors, and large cabinet
- SureSink Weighted Tubing not included
- Ideal for large recreational or industrial lakes



Large Cabinet with Patented AireGuard Cabinet Technology



Dual-loop Diffuser Provides Efficient Water Movement



Filter Maintenance Indicator and External Gauges and Valves



Lifetime Warranty - Diffuser & Cabinet  
 15-Year Warranty - Tubing  
 3-Year Warranty - Compressor  
 2-Year Warranty - Compressor Piston Cups & Cylinders

SYSTEMS INCLUDE	LARGE CABINET	REMOTE MANIFOLD SYSTEMS
	220V	Allows remote installation of cabinet, compressors, and valves. Systems include remote valve manifold and valve box.
<b>SYSTEM 7</b> (7) Diffuser Assemblies (3) 1/2HP Compressors Large Cabinet	RAE7	Allows remote installation of cabinet, compressors, and valves. Systems include remote valve manifold and valve box.
<b>SYSTEM 8</b> (8) Diffuser Assemblies (3) 1/2HP Compressors Large Cabinet	RAE8	
<b>SYSTEM 9</b> (9) Diffuser Assemblies (3) 1/2HP Compressors Large Cabinet	RAE9	
<b>SYSTEM 10</b> (10) Diffuser Assemblies (4) 1/2HP Compressors Large Cabinet	RAE10	
<b>SYSTEM 11</b> (11) Diffuser Assemblies (4) 1/2HP Compressors Large Cabinet	RAE11	
<b>SYSTEM 12</b> (12) Diffuser Assemblies (4) 1/2HP Compressors Large Cabinet	RAE12	

# ROBUSTAIRE SYSTEM COMPARISON

## SMALL, MEDIUM, AND LARGE CABINETS

Below is a chart that compares details for Kasco's Small, Medium, and Large Cabinet Systems. Use these details to determine which system is best for your application.

All cabinets feature quiet operation, external maintenance indicators, easy-to-remove panels, and blend seamlessly with the environment.



### SMALL CABINET

RAE 1 - 3

### MEDIUM CABINET

RAE 4 - 6

### LARGE CABINET

RAE 7 - 12

#### CABINET DIMENSIONS

(L) 57cm  
(W) 43.1cm  
(H) 34cm

(L) 66cm  
(W) 52.6cm  
(H) 49.8cm

(L) 106.6cm  
(W) 52.5cm  
(H) 49.8cm

#### NUMBER OF DIFFUSERS

1, 2, or 3

4, 5, or 6

7, 8, 9, 10, 11, or 12

#### NUMBER AND SIZE OF COMPRESSORS

(1) 1/4 or 1/2HP

(2) 1/2HP

(3 or 4) 1/2HP

#### TUBING DIAMETER

Tubing ordered separately.  
Accommodates 0.95cm or  
1.59cm tubing.

Tubing ordered separately.  
Accommodates 0.95cm or  
1.59cm tubing.

Tubing ordered separately.  
Accommodates 0.95cm or  
1.59cm tubing.

#### AIREGUARD CABINET TECHNOLOGY (PATENTED)

✓

✓

✓

#### TYPICAL APPLICATION

Small to mid-size ponds and lakes

Mid-size ponds and lakes

Large recreational or industrial lakes

#### CABINET MOUNTING

Ground-mount standard.  
Mounting bracket available with part number 774300.

Ground-mount only.

Ground-mount only.

# TEICHAIRE

## COMPRESSORS

- 220V
- Quiet, oil-less piston compressors
- Built for continuous-duty, year-round, large aeration applications



### ALL COMPRESSORS INCLUDE:

- Pressure relief valve
- Vibration mounts
- Intake air filter assembly
- Brass hose fittings
- Power cord
- Thermal overload protection
- Ramped internal valve plate allowing for restart under load



1/4, 1/2, & 3/4HP  
Available



2-Year Warranty



UL & CSA Recognized



CE Marked

### COMPRESSOR MODELS

PART #	HP	WEIGHT (KG)	AMP @ 0 PSI	AMP @ 20 PSI
KM-60HC	1/4	7	1.1	1.6
KM-120HC	1/2	9	1.5	2.0
KM-200HC	3/4	13	3.1	3.7

### COMPRESSOR FLOW RATE CHART

DEPTH OF DIFFUSER (m)	KPA	FLOW (M <sup>3</sup> PER 24 HOURS)
2	19.4	5,053
3	26.9	7,580
4	35.8	11,369
5	44.8	17,054
6	62.7	28,821
7	71.7	37,467
8	80.6	48,708
9	89.6	63,320



# DIFFUSED AERATION

## ACCESSORIES

The table below lists accessories and replacement items available for RobustAire and Home Series Diffused Aeration Systems.



PART #	DESCRIPTION	INCLUDES
774300	Small Cabinet Mounting Bracket	(1) Mounting bracket and assembly hardware
771014	Air Filter Paper Element for KM-60 and KM-120 compressors bought before June 2020	-
771018	Air Filter Paper Element for KM-60, KM-120, and KM-200 compressors within RAE systems with remote air intake purchased after June 2020	-
772100	RobustAire™ Diffuser Assembly	(1) Diffuser assembly, (1) 3/8 in. (9.55mm) barbed fitting, and (1) 5/8 in. (15.9mm) barbed fitting
773380	SureSink Weighted Tubing Kit 3/8 in. (9.55mm) (100 ft. roll) (30m)	All necessary fittings for attaching to the compressor, diffuser assembly, and for extending length on tubing runs
773580	SureSink Weighted Tubing Kit 5/8 in. (15.9mm) (100 ft. roll) (30m)	All necessary fittings for attaching to the compressor, diffuser assembly, and for extending length on tubing runs
773385	SureSink Weighted Tubing Kit 3/8 in. (9.55mm) (500 ft. roll) (152m)	Weighted tubing (500 ft. (152m) rolls do not include fittings)
773585	Weighted Tubing Kit 5/8 in. (15.9mm) (500 ft. roll) (152m)	Weighted tubing (500 ft. (152m) rolls do not include fittings)
773300	3/8 in. (9.55mm) Tube Fitting Kit (included with 3/8 in. x 100 ft. tubing kits)	(1) 3/8 in. x 3/8 in. barbed connector and (2) 3/8 in. hose clamps
773500	5/8 in. (15.9mm) Tube Fitting Kit (included with 5/8 in. x 100 ft. tubing kits)	(1) 5/8 in. x 5/8 in. barbed connector, (2) 3/8 in. x 5/8 in. barbed connectors, (2) 5/8 in. hose clamps, and (2) 3/8 in. hose clamps



# UNIT MOUNTING OPTIONS

## MOUNTING KITS

Secure your Kasco unit to a dock, pier, walkway, or other in-water structure. Choose your desired depth, angle, and flow of water to achieve desired results.

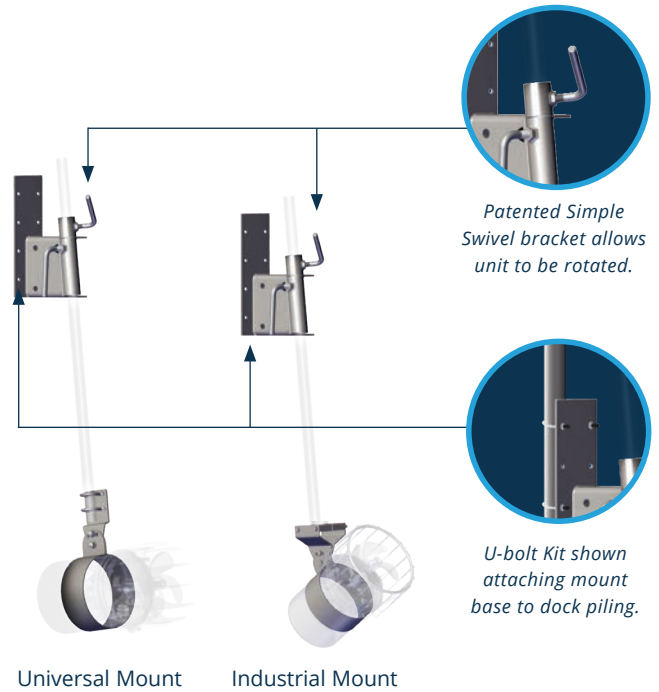
- U-bolt kit prevents drilling into structure
- Simple Swivel bracket direct water to desired area
- Multiple angles of unit orientation

### Universal Mount Kits

- For 1/2 and 3/4HP units
- Requires 1 in. / 25 DN nominal pipe

### Industrial Mount Kits

- For 1/2, 3/4, and 1HP units
- Requires 1.5 in. / 40 DN nominal threaded / unthreaded pipe



PART #	DESCRIPTION	UNITS COMPATIBLE
243478	Universal Mount with patented Simple Swivel bracket (Includes all mount assembly hardware)	1/2 and 3/4HP units
243479	Industrial Mount with patented Simple Swivel bracket (Includes all mount assembly hardware)	1/2, 3/4, 1, and 2HP units
997108K	U-Bolt Kit (each kit includes 2 U-bolts and associated hardware)	1/2, 3/4, and 1HP units

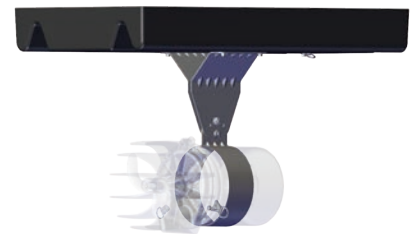
#### Product Notes:

1. For Universal and Industrial Kits, customer-supplied pipe must not exceed 3m.
2. Universal and Industrial Mounts require (8) 5/16 in. lag screws to attach mount base to dock. If using a U-bolt Kit, lag screws are not needed.
3. U-bolt Kit (PN: 997108K) available for Universal and Industrial Kits allowing installation without drilling into structure.

## HORIZONTAL FLOAT

Suspend your AquatiClear Circulator below the water's surface and safely anchor it to shore. Using stainless steel hardware and components, the float accommodates 1/2 and 3/4HP units.

- 3 tie-down loops for secure installation
- Power cord strain relief clip included
- 3 angles of unit orientation



PART #	DESCRIPTION	UNITS COMPATIBLE
213001	Horizontal Float with tie-down loops	1/2 and 3/4HP units

# POND PROBIOTICS

## BENEFICIAL BACTERIA

Pond Probiotics are a safe, non-chemical approach to water quality management and produces a healthy, balanced ecosystem with its highly concentrated, unique blend of naturally occurring bacteria and enzymes. No irrigation restrictions or permit required.



Available as Quick-Dissolving Powder, Pucks, and Time-releasing Blocks



Simply Toss into Water 13° C or Warmer



Removes Pond Scum and Floating Particles



Eliminates Waste, Dead Grass, and Foul Odors



Safe for People, Pets, and Livestock

PART #	DESCRIPTION	CONTENTS TREAT
MZ8	(1) 226g WS bag	8 oz. treats 1/2 acre-ft.
MZ8C	(1) 226g WS bag	Up to 20 acre-ft.
MZ25	11.34kg bag of bulk powder in pail (no WS bags)	Up to 25 acre-ft.
MZMP7	Pond Probiotic Muck Pucks - 3.18kg pail with 266 pucks	Up to 10 ft <sup>2</sup> per puck
MZMB5	Pond Probiotic Muck Block - (1) 2.72kg block	Up to 6 acre-ft.

**Product Notes:**

1. WS = Water soluble bag.
2. One acre-ft. (1 acre of surface area with 1 ft. of depth) = 325,851 gallons.
3. To determine gallons: length (ft.) x width (ft.) x avg. water depth (ft.) x 7.48 = gallons.





BEFORE



AFTER

**Quick-Dissolving Powder**  
 For small ponds and water gardens. Reapply every 2-3 weeks.



**Muck Pucks**  
 For small or medium ponds, as spot treatments. Reapply every 2-3 weeks.



**Muck Blocks**  
 For medium ponds, large ponds, or feeder streams. Reapply every 30 days.




Combine Pond Probiotics with a Kasco aeration or circulation method for maximum water quality results

# WARRANTY INFORMATION

## STANDARD WARRANTY

Kasco Marine, Inc. warrants products to be free from defects in material or workmanship under normal use and service. This warranty excludes damage to the equipment from improper handling or installation as well as damage caused by environmental factors (examples include but are not limited to: cuts in or crushing of the power cord, damage to mooring lines and ropes, foreign objects causing damage to props or motor shafts, and improper power feeds). The Kasco Marine, Inc. obligation under this warranty is limited to replacing or repairing, free of charge, any defective part within the warranty period.

All units sent back to the factory or authorized repair center should be accompanied by the repair form, found at [kascomarine.com](http://kascomarine.com). Customer is responsible to pay shipping charges.

## WARRANTY IS VOID IF

1. The product is not maintained according to the maintenance recommendations supplied in owner's manual.
2. The product is returned for repair without the power cord (cuts in the power cord and field splices are not covered under warranty).
3. The unit, control box, or power cord are altered in any way from original shipment.
4. The product is not used with a GFCI-protected outlet.
5. The product is damaged by unauthorized tampering.
6. The sacrificial anode shows significant deterioration.

# WARRANTY PERIODS

## EJ SERIES FOUNTAINS

- All HP: 2 years

## EVFX SERIES FOUNTAINS

- All HP: 2 years

## WATERGLOW LIGHTING

- Composite LED: 2 years

## AQUATICLEAR™ CIRCULATORS

- All HP: 2 years

## DE-ICERS

- All HP: 2 years

## ROBUSTAIRE™ DIFFUSED AERATION SYSTEMS

- Diffuser: Lifetime
- Cabinet: Lifetime
- Tubing: 15 years
- Compressor:
  - Motor: 3 years
  - Piston Cup: 2 years
  - Cylinder: 2 years

## SURFACE AERATORS

- All HP: 2 years

## REPLACEMENT (R) UNITS

- All HP: 2 years

## DISTRIBUTOR TOOLS



Kasco Website



Distributor Portal



Online Training



Qualified Lead Routing



Dedicated Customer Service

# PRODUCT RETURN, & REPAIR

## NEW OR UNUSED PRODUCT RETURN

If an item has not entered the water, it can be returned to Kasco:

1. Contact Kasco to receive an RMA number and RMA form.
2. Package the item(s) adequately (original packaging preferred) and return to Kasco with completed RMA form and RMA number on the shipping label or written on the box.

## IMPORTANT

- 10% restocking fee will be applied to all returns.
- Additional fees may apply for partial returns.
- An item will not be accepted for return if it has been in the water.
- Kasco will not reimburse for product that was damaged during return shipment.
- Only new, clean, and unused items may be returned for credit.
- Items may not be returned after 6 months from the time of purchase.

## REPAIR

Equipment can be shipped to Kasco or an authorized service center for a repair estimate. Contact us if you'd like to find an authorized repair center near you. Kasco aims to provide a free cost estimate as soon as possible. After customer approval, the repair can be made in just a few days.

- Please include upper pump housing or wire cage for aerators and De-icers.
- Kasco is not responsible for shipping damage from customer to Kasco.
- Do not send floats. Kasco will charge \$200 for float disassembly and cleaning.
- It is the responsibility of the customer to ship and pay freight to Kasco.

# SHIPPING DETAILS

Kasco offers hassle-free logistical support to our customers. While we do accommodate shipment arranged by you or a third party, there are compelling benefits to allowing Kasco's Logistics Team to arrange all your shipments. We have negotiated extremely competitive rates with our preferred carriers and are excited to pass that savings along to you.

Additionally, all shipments arranged by Kasco are FOB destination, insured by us until they reach your location. In the event of loss or damage during shipping, simply notify our Customer Service Team and provide as much detail as possible, including photos of any damage. Once we have confirmed loss or damage, we will ship a replacement and take care of the claim. You can reach our Logistics Team at [logistics@kascomarine.com](mailto:logistics@kascomarine.com).

## FREIGHT QUOTES

Please email freight quotes to [matt.f@kascomarine.com](mailto:matt.f@kascomarine.com) and include:

- Shipping address
- Commercial or residential
- Offload or lift gate requirements
- Delivery notification contact info
- Method of Transportation - Sea Freight, Air Freight, or Ground Freight

## KASCO PATENTS

Scan the QR code below for a full list of Kasco patent and patent-pending information.





**Kasco**<sup>®</sup>

**MOVING WATER FORWARD, SINCE 1968**

[kascomarine.com](http://kascomarine.com) | +1.715.262.4488 | [support@kascomarine.com](mailto:support@kascomarine.com)

800 Deere Road, Prescott, WI U.S.A. 54021