



3400HD DE-ICER

OVERVIEW

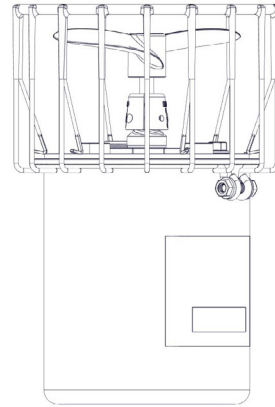
- Complete package includes:
 - Motor unit
 - 20' mooring lines
 - UL, CSA & NEC approved underwater-rated cable
- Total package Listed by ETL to UL/CSA standards
- Saltwater compatible
- Packaged for convenient shipping

MOTOR UNIT

- 3/4HP, operating voltage range of 208-240Vac, single phase
- 1750 RPM
- Oil cooled
- Continuous duty rated
- 17mm top and bottom bearings
- Thermal overload protection
- Fully utilized heavy-duty carbon ceramic mechanical seal
- Series 300 Austenitic stainless steel can
- Engineering grade thermoplastic domed top
- Sacrificial anode installed on 316 stainless steel shaft
- Custom engineered UV-resistant thermoplastic 2-blade propeller
- Coated stainless steel cage

OPTIONAL C-220 CONTROL PANEL

- UL Type 3R/4X thermoplastic enclosure
- 20-Amp breaker
- GFCI protection with 5ma trip level
- 24-hour mechanical aerator timer
- Surge protector



POWER CABLE

- UL, CSA & NEC approved underwater rated cable
- 3 wire (L, N, G)
- Quick Disconnect standard on 12 AWG & larger cords, optional on cords with smaller gauge
- Stainless steel strain relief on 12 AWG & larger cords
- Optional flex sleeving for entire cord length
- Quick Disconnect and stainless steel strain relief included on 12AWG & larger cords


MOUNT OPTIONS

- Universal Dock Mount
 - Complete 300-series stainless steel construction
 - Multiple angling options
 - User supplies 1" pipe, up to 10' long
- Industrial Dock Mount
 - Complete 300-series stainless steel construction
 - Multiple angling options
 - User supplies 1.5" pipe, up to 10' long

3400HD DE-ICER

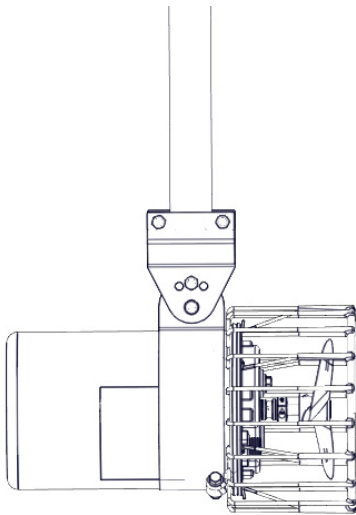
OVERVIEW

HP	Voltage / Phase / Hz	Running Amps	Lock Rotor Amps	Thrust (lbs.)	Min. Depth of Operation (ft.)
3/4	208-240V / 1 / 60	3.1	9	37	4

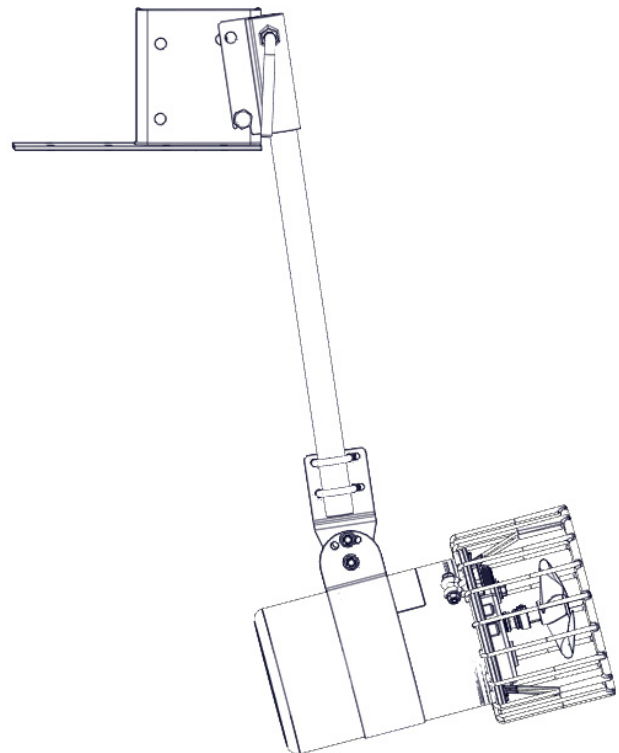
NOTE  De-icer will operate in less depth but may cause bottom disturbance.

MODEL SPECIFICATIONS

Model	Cord Length (ft.)	Cord Gauge
3400HD050	50	14/3
3400HD100	100	14/3
3400HD150	150	12/3
3400HD200	200	12/3
3400HD250	250	12/3
3400HD300	300	12/3
3400HD400	400	12/3
3400HD500	500	12/3



Shown with Industrial Mount



Shown with Universal Mount

