



4400DGEN AGITATOR / DE-ICER

OVERVIEW

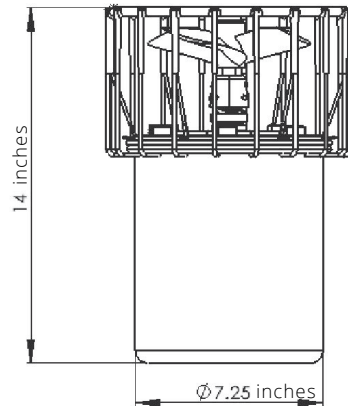
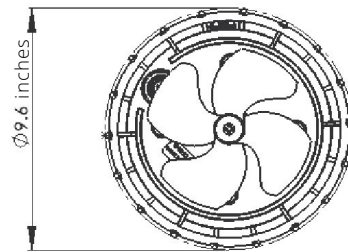
- Complete package includes:
 - Motor unit
 - UL, CSA & NEC approved underwater-rated cable
- Total package Listed by ETL to UL/CSA standards
- Saltwater compatible
- Packaged for convenient shipping

MOTOR UNIT

- 1HP, operating voltage of 120Vac, single phase
- 1750 RPM
- Oil cooled
- Continuous duty rated
- 17mm top and 20mm bottom bearings
- Thermal overload protection
- Fully utilized heavy-duty carbon ceramic mechanical seal
- Series 300 Austenitic stainless steel can
- Engineering grade thermoplastic top
- Sacrificial anode installed on 316 stainless steel shaft
- Custom engineered UV-resistant thermoplastic 4-blade propeller
- Coated stainless steel cage

MOUNT OPTIONS

- Two 20' hollow braid polypropylene sling ropes provided as standard
- Industrial Dock Mount with Simple Swivel (Purchased Separately)
 - Complete 300-series stainless steel construction
 - Multiple angling options
 - User supplies 1.5" pipe, up to 10' long



CONTROL OPTIONS

- C-10 Thermostat Control Panel
 - ANS/UL 514C thermoplastic enclosure
 - 120V plug on 6' power cord
 - Thermostat
- C-20 Timer & Thermostat Control Panel
 - UL 508 listed
 - UL Type 3r/4x thermoplastic enclosure
 - 120V plug on 6' power cord
 - Thermostat
 - 24-hour mechanical timer


POWER CABLE

- UL, CSA & NEC approved underwater rated cable
- 3 wire (L1, L2, G)
- Quick Disconnect and stainless steel strain relief included on stub cord models only
- Additional cord lengths available (see next page)

4400DGEN AGITATOR / DE-ICER

OVERVIEW

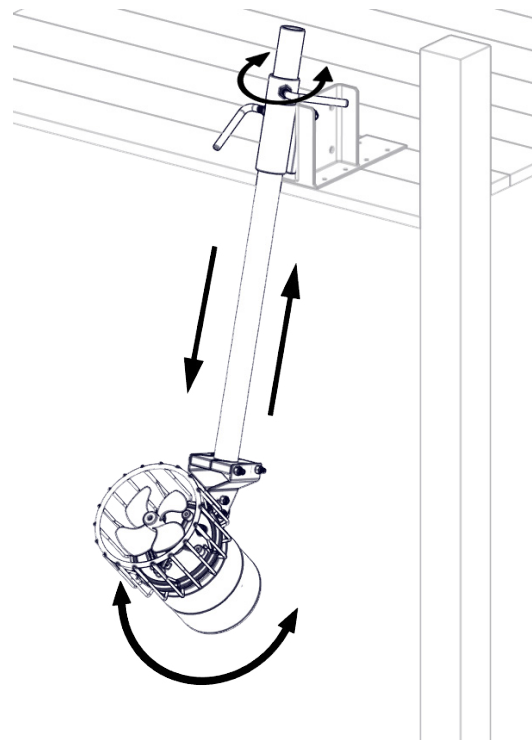
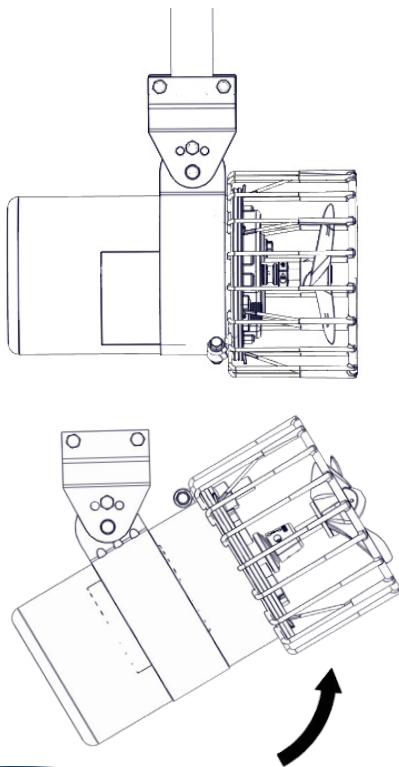
HP	Voltage / Phase / Hz	Running Amps	Lock Rotor Amps	Thrust (lbs.)	Min. Depth of Operation (ft.)
1	120V / 1 / 60	9.1	40	42	4

NOTE  Agitator will operate in less depth but may cause disruption at surface and erosion on pond/lake bottom.

MODEL SPECIFICATIONS

Model	Cord Part No.	Cord Length (ft.)	Cord Gauge	Plug	Quick Disconnect
4400DGEN025	N/A	25	12	NEMA 5-15	N
4400DGEN050	N/A	50	12	NEMA 5-15	N
4400DGEN075	N/A	75	12 </td <td>NEMA 5-15</td> <td>N</td>	NEMA 5-15	N
STUB CORD MODEL SPECIFICATIONS					
4400DGEN000	7002512	25	12	N/A	Y
	7005012	50	12	N/A	Y
	7010012	100	12	N/A	Y

Industrial strength,
adjustable underwater parts.



Adjust depth of unit
and angle of operation.

Kasco[®]

4400DGEN AGITATOR / DE-ICER CUT SHEET

800 Deere Rd. Prescott, WI 54021 | 715.262.4488 | support@kascomarine.com | kascomarine.com