



4400HDGEN AGITATOR / DE-ICER

OVERVIEW

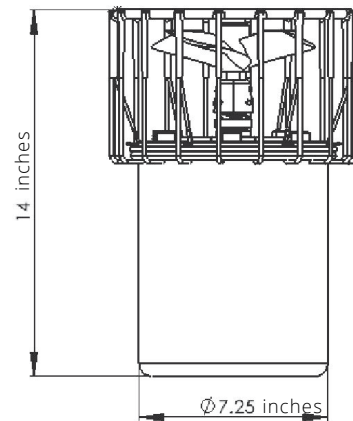
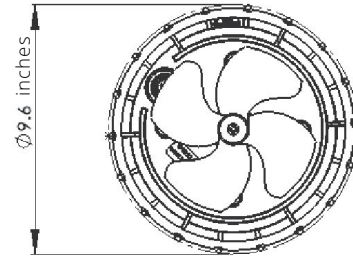
- Complete package includes:
 - Motor unit
 - UL, CSA & NEC approved underwater-rated cable
- Total package Listed by ETL to UL/CSA standards
- Saltwater compatible
- Packaged for convenient shipping

MOTOR UNIT

- 1HP, operating voltage of 208-240Vac, single phase
- 1750 RPM
- Oil cooled
- Continuous duty rated
- 17mm top and 20mm bottom bearings
- Thermal overload protection
- Fully utilized heavy-duty carbon ceramic mechanical seal
- Series 300 Austenitic stainless steel can
- Engineering grade thermoplastic top
- Sacrificial anode installed on 316 stainless steel shaft
- Custom engineered UV-resistant thermoplastic 4-blade weedless propeller
- Coated stainless steel cage

OPTIONAL C-220 CONTROL PANEL

- UL Type 3R/4X thermoplastic enclosure
- 20-Amp breaker
- GFCI protection with 5ma trip level
- 24-hour mechanical aerator timer
- Surge protector



POWER CABLE

- UL, CSA & NEC approved underwater rated cable
- 3 wire (L1, L2, G)
- Quick Disconnect and stainless steel strain relief included on stub cord models only
- Additional cord lengths available (see next page)

MOUNT OPTIONS

- Industrial Dock Mount with Simple Swivel (Purchased Separately)
 - Complete 300-series stainless steel construction
 - Multiple angling options
 - User supplies 1.5" pipe, up to 10' long

4400HDGEN AGITATOR / DE-ICER

OVERVIEW

HP	Voltage / Phase / Hz	Running Amps	Lock Rotor Amps	Thrust (lbs.)	Min. Depth of Operation (ft.)
1	208-240V / 1 / 60	4.5	20	42	4

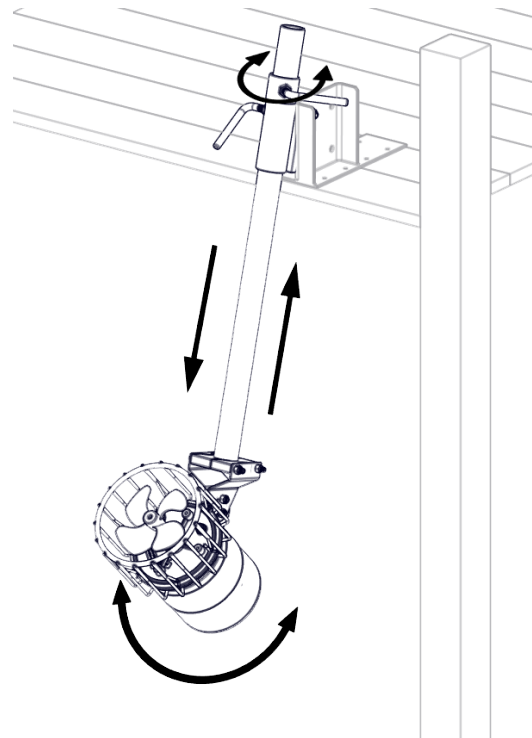
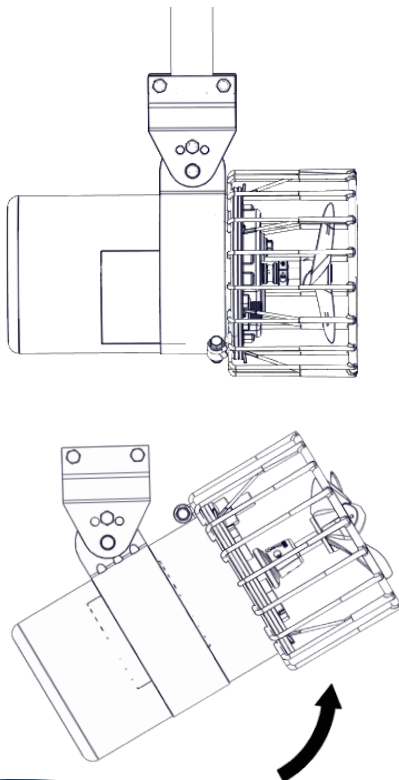


Agitator will operate in less depth but may cause disruption at surface and erosion on pond/lake bottom.

MODEL SPECIFICATIONS

Model	Cord Part No.	Cord Length (ft.)	Cord Gauge	Plug	Quick Disconnect
4400HDGEN025	N/A	25	12	NEMA 6-15	N
4400HDGEN050	N/A	50	12	NEMA 6-15	N
STUB CORD MODEL SPECIFICATIONS					
4400HDGEN000	7002512	25	12	N/A	Y
	7005012	50	12	N/A	Y
	7010012	100	12	N/A	Y

Industrial strength, adjustable underwater parts.



Adjust depth of unit and angle of operation.

