



50 HZ DE-ICER

OVERVIEW

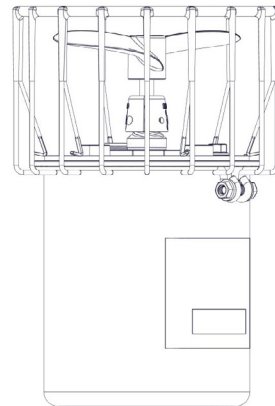
- Complete package includes assembled motor unit, 6m mooring lines, rubber 10m or 30m power cord or 1m stub cord
- CE Marked
- Saltwater compatible
- Packaged for convenient shipping

MOTOR UNIT

- 1/2, 3/4, or 1HP motor, 230V single phase
- 1450 RPM
- Oil cooled
- Continuous duty rated
- Long-life bearings
- Thermal overload protection
- Fully utilized heavy-duty carbon ceramic mechanical seal
- Series 300 stainless steel can
- Engineering grade thermoplastic top
- Sacrificial anode installed on 316 stainless steel shaft
- Custom engineered UV-resistant thermoplastic propeller
- Coated stainless steel cage

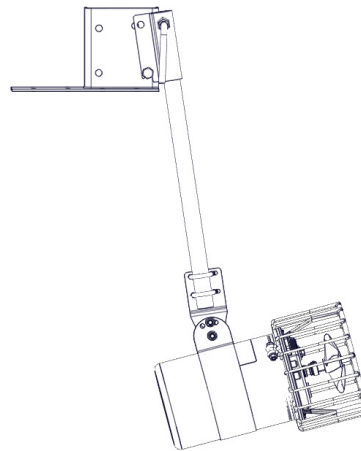
POWER CABLE

- 10m or 30m power cord or 1m stub cord
- Rubber jacket, 3-conductor power cord with earth conductor
- Potted quick disconnect and stainless steel strain relief standard on all stub cords
- Flex sleeve cord protection on stub option

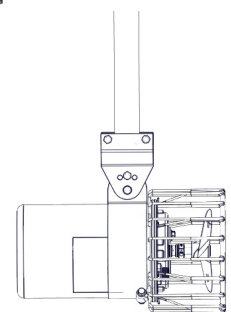


MOUNT OPTIONS

- Universal Dock Mount
 - Complete 300-series stainless steel construction
 - Multiple angling options
 - User supplies 25mm pipe, up to 3m long
- Industrial Dock Mount
 - Complete 300-series stainless steel construction
 - Multiple angling options
 - User supplies 25mm pipe, up to 3m long



Universal Mount



Industrial Mount



50 HZ DE-ICER

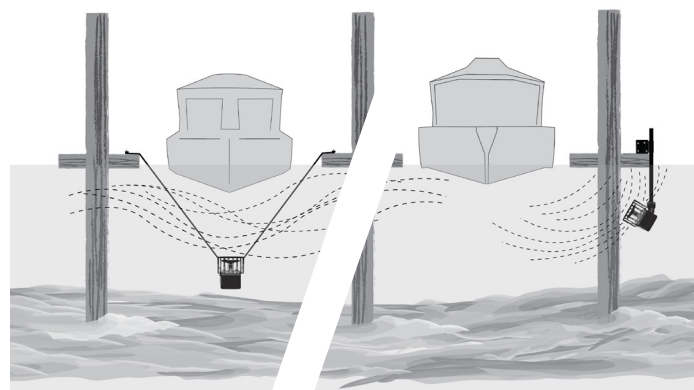
OVERVIEW

| Model | HP | Voltage / Phase / Hz | Amperage | Locked Rotor Amps | Thrust (kg.) | Min. Depth of Operation* |
|--------|-----|----------------------|----------|-------------------|--------------|--------------------------|
| 2400ED | 1/2 | 230 / 1 / 50 | 2.2 | 5.3 | 11.8 | 1.2m |
| 3400ED | 3/4 | 230 / 1 / 50 | 3.5 | 9 | 13.4 | 1.2m |
| 4400ED | 1 | 230 / 1 / 50 | 3.7 | 10 | 16.8 | 1.2m |

*Will operate in less depth but may cause bottom disturbance.

WIRE SIZE

| | Cord Length | | | |
|--------|--------------------|--------------------|--------------------|--------------------|
| | 10m | 30m | 60m | 90m |
| 2400ED | 1.5mm ² | 1.5mm ² | 2.5mm ² | 2.5mm ² |
| 3400ED | 1.5mm ² | 1.5mm ² | 2.5mm ² | 2.5mm ² |
| 4400ED | 1.5mm ² | 1.5mm ² | 2.5mm ² | 4mm ² |



Vertical suspension

Dock & piling mount