



50Hz HOME SERIES DIFFUSED AERATION SYSTEM

OVERVIEW

- System includes rocking piston compressor, cabinet, diffuser(s), and weighted tubing
- Designed for 24-hour operation with minimal maintenance

COMPRESSOR

- Continuous-duty rated
- Ramped reed valve
- Heat-resistant tubing
- Paper air filter element for compressed air
- CE Certified

Teich-Aire KM-60HC

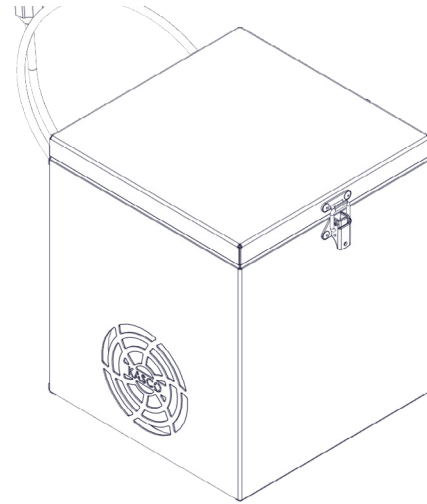
- 1/4HP oil-less piston compressor
- 230V (KM-60HC) 1.6 amps @ 1.38 bar
- 96 LPM @ .34 bar; 76 LPM @ 1.7 bar
- 2.7 bar pressure relief valve
- Can supply up to 2 diffuser heads

SURESINK WEIGHTED TUBING

- Tubing included
- Cabinet equipped with 9.5mm barbs
- 30.48m rolls or 152.4m reels
 - 30.48m packages include all fittings

WARRANTY

- Diffuser(s): Lifetime
- Cabinet: 2 years
- SureSink Tubing: 15 years
- Compressor
 - Motor: 2 years
 - Piston cups and cylinders: 2 years



STAINLESS STEEL CABINET

- Accommodates one 1/4HP compressor
- Uncoated 304 stainless steel cabinet
- Ground pad installation recommended
- Optional Mounting Bracket available
- Cooling air filtered as it's drawn into cabinet
- 27.9cm x 31.8cm x 29.2cm
- 1-compressor cabinet has one power cord with flying leads

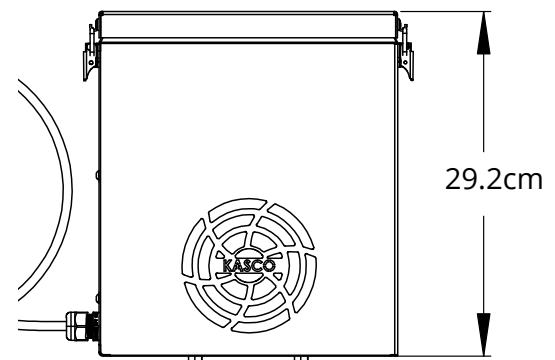
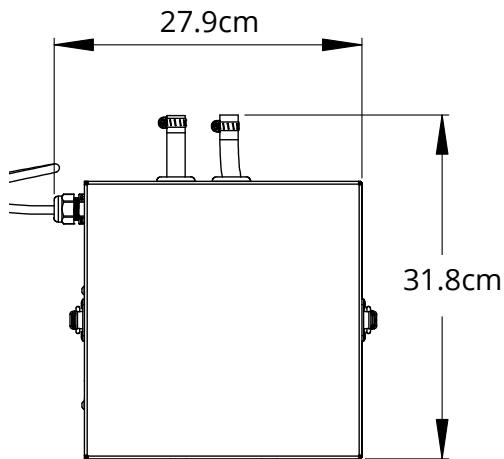
SINGLE-LOOP DIFFUSER

- Self-weighted stainless steel base designed to land upright every time
- Integrated tubing strain relief & rope tie-offs
- Proprietary linear low-density polyethylene & rubber diffuser hose
- 39.4cm x 22.9cm x 14.6cm assembled
- Diffuser hose sits 15.2cm above bottom of base
- Check valve

50Hz HOME SERIES DIFFUSED AERATION SYSTEM

Model	Compressor(s)	# of Diffusers	Voltage/Phase	Amps
Standard Systems				
DAE1	KM-60HC (1/4HP x 1)	1	230V / 1	1.6
DAE2	KM-60HC (1/4HP x 1)	2	230V / 1	1.6

CABINET DIMENSIONS WITHOUT MOUNT



CABINET DIMENSIONS WITH MOUNT

