



# WATERGLOW LIGHTING

## 50Hz LEDC11-000E COMPOSITE LIGHTING

### OVERVIEW

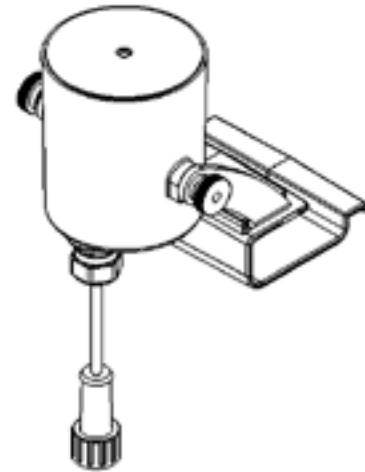
- Composite LED fixtures
- Colored lenses and caps
- Mounting brackets, hardware, & snap-on clips
- Mating quick disconnect included
  - User supplies main power cord
- Saltwater compatible
- Packaged for easy installation and convenient shipping
- 2-year warranty

### FIXTURES

- 230V, 1 phase power
- Ultrasonically welded thermoplastic fixtures
- 11-watt potted LED driver and board in each fixture
- Built-in thermal overload
- Clear plastic light window
- Rubber lens cap
- Set of colored lenses, including red, green, blue, and amber
- IP68 connector
- Flex sleeving on each fixture
- Color temperature: 3,000K

### POWER CABLE

- 1m stub cord
- Rubber jacket, 3-conductor power cord with earth conductor
- Potted quick disconnect and stainless steel strain relief
- Integrated splitter to allow for single cord back to power source
- Flex sleeve cord protection



### BRACKETS

- Coated stainless steel bracket
- Adjustable angling with thumb screws
- Includes hardware for mounting to snap-on clip

### SNAP-ON LIGHT CLIPS

- Molded thermoplastic attachment clips
- Easily snap onto light brackets and then onto molded float locations
- Allow for easy installation and removal of lights on Kasco floats

# WATERGLOW LIGHTING

## 50HZ LEDC11-000E COMPOSITE LIGHTING

Model	Cord Length	Voltage / Phase / Hz	Fixtures	Watts per Fixture	Kit Wattage	Lumens per Fixture	Suggested HP Sizes
LED3C11-000E	1m stub	230 / 1 / 50	3	11	33	910	1/2 - 1HP
LED6C11-000E	1m stub	230 / 1 / 50	6	11	66	910	2 - 5HP

### WIRE SIZE

Model	Cord Length			
	10m	30m	60m	90m
LED3C11-000E	1.5mm <sup>2</sup>	1.5mm <sup>2</sup>	1.5mm <sup>2</sup>	1.5mm <sup>2</sup>
LED6C11-000E	1.5mm <sup>2</sup>	1.5mm <sup>2</sup>	1.5mm <sup>2</sup>	1.5mm <sup>2</sup>

