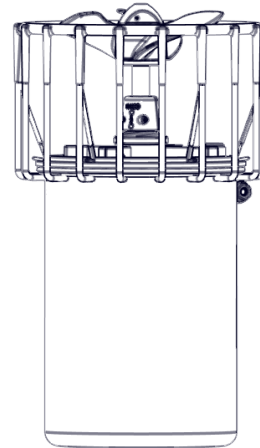




8400AGEN AGITATOR / DE-ICER

OVERVIEW

- Complete package includes:
 - Motor unit
 - UL, CSA & NEC approved underwater-rated cable
- Total package Listed by ETL to UL/CSA standards
- Saltwater compatible
- Packaged for convenient shipping



MOTOR UNIT

- 2HP, operating voltage of 208-240Vac, single phase
- 1750 RPM
- Oil cooled
- Continuous duty rated
- 17mm top and 20mm bottom bearings
- Thermal overload protection
- Fully utilized heavy-duty carbon ceramic mechanical seal
- Series 300 Austentic stainless steel can
- Engineering grade thermoplastic top
- Sacrificial anode installed on 316 stainless steel shaft
- Custom engineered UV-resistant thermoplastic 3-blade weedless propeller
- Coated stainless steel cage

OPTIONAL C220 CONTROL PANEL

- UL Type 3R/4X thermoplastic enclosure
- 20-Amp breaker
- GFCI protection with 5ma trip level
- 24-hour mechanical aerator timer
- Surge protector

POWER CABLE

- UL, CSA & NEC approved underwater rated cable
- 3 wire (L1, L2, G)
- Quick Disconnect standard
- Stainless steel strain relief
- Flex sleeving standard on stub cord, optional on additional cord lengths
- Additional cord lengths available (see next page)

MOUNT OPTIONS


- Industrial Dock Mount with Simple Swivel
 - Complete 300-series stainless steel construction
 - Multiple angling options
 - User supplies 1.5" pipe, up to 10' long



8400AGEN AGITATOR / DE-ICER

OVERVIEW

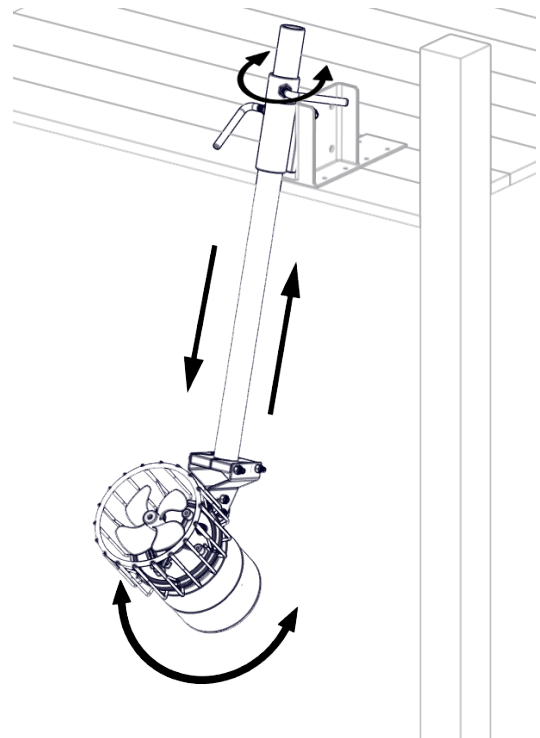
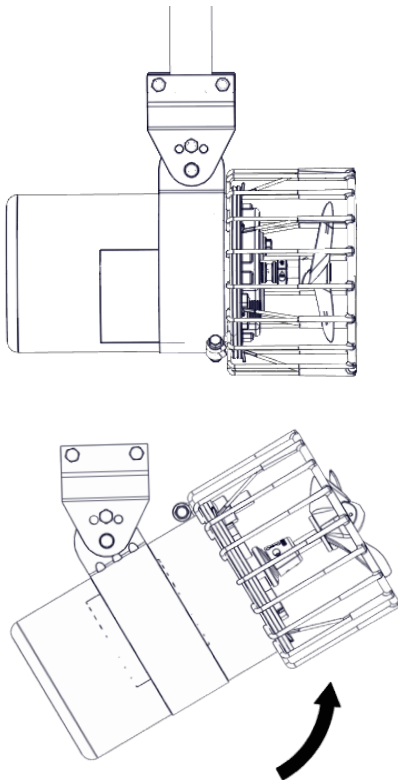
HP	Voltage / Phase / Hz	Running Amps	Lock Rotor Amps	Thrust (lbs.)	Min. Depth of Operation (ft.)
2	208-240V / 1 / 60	9	40	56	4

NOTE  Agitator will operate in less depth but may cause disruption at surface and erosion on pond/lake bottom.

ADDITIONAL CORD LENGTHS AVAILABLE

Cord Part No.	Cord Length (ft.)	Cord Gauge
7002512	25	12
7005012	50	12
7010012	100	12

Industrial strength,
adjustable underwater parts.



Adjust depth of unit
and angle of operation.

Kasco[®]