



HOME SERIES DIFFUSED AERATION SYSTEM

OVERVIEW

- System includes rocking piston compressor, cabinet, diffuser(s), and weighted tubing
- Designed for 24-hour operation with minimal maintenance

COMPRESSOR

- Continuous-duty rated
- Ramped reed valve
- Heat-resistant tubing
- Paper air filter element for compressed air
- UL/CSA Recognized

Teich-Aire KM-60C & KM-60HC

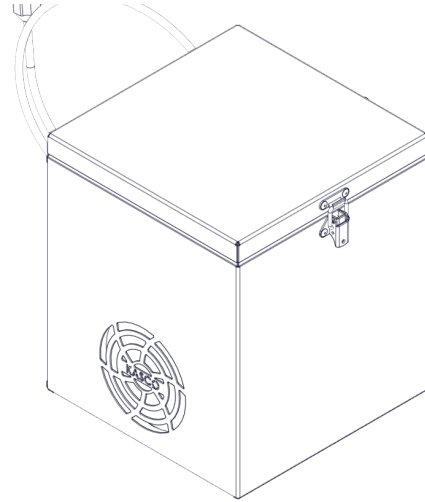
- 1/4HP oil-less piston compressor
- 115V (KM-60C) 3.2 amps @ 20 psi
- 230V (KM-60HC) 1.6 amps @ 20 psi
- 3.4 CFM @ 5 psi; 2.7 CFM @ 25 psi
- 40 psi pressure relief valve
- Can supply up to 2 diffuser heads

SURESINK WEIGHTED TUBING

- Tubing included
- Cabinet equipped with 3/8" barbs
- 100' rolls or 500' reels
 - 100' packages include all fittings

WARRANTY

- Diffuser(s): Lifetime
- Cabinet: 2 years
- SureSink Tubing: 15 years
- Compressor
 - Motor: 2 years
 - Piston cups and cylinders: 2 years



SMALL CABINET

- Accommodates one 1/4HP compressor
- Uncoated 304 stainless steel cabinet
- Ground pad installation recommended
- Optional Mounting Bracket available
- Cooling air filtered as it's drawn into cabinet
- 11" x 12-1/2" x 11-1/2"
- 1-compressor cabinet has one power cord with a plug for inserting into a power receptacle

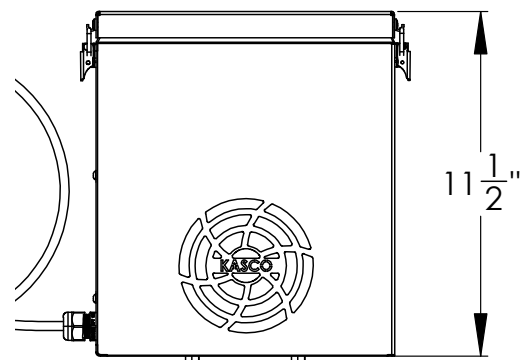
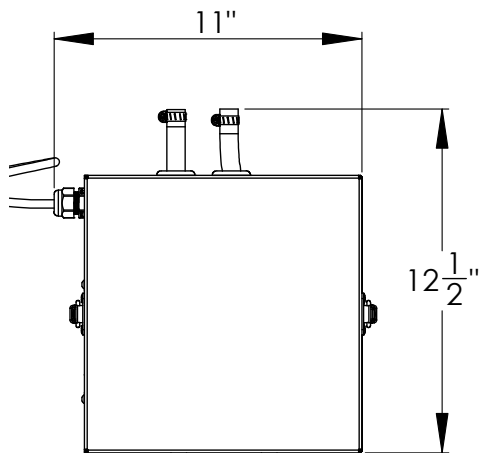
SINGLE-LOOP DIFFUSER

- Self-weighted stainless steel base designed to land upright every time
- Integrated tubing strain relief & rope tie-offs
- Proprietary linear low-density polyethylene & rubber diffuser hose
- 15-1/2" x 9" x 5-3/4" assembled
- Diffuser hose sits 6" above bottom of base
- Check valve

HOME SERIES DIFFUSED AERATION SYSTEM

Model	Compressor(s)	# of Diffusers	Voltage/Phase	Amps
Standard Systems				
DA1	KM-60C (1/4HP x 1)	1	120V / 1	2.5
DAH1	KM-60HC (1/4HP x 1)	1	208-240V / 1	1.25
DA2	KM-60C (1/4HP x 1)	2	120V / 1	2.5
DAH2	KM-60HC (1/4HP x 1)	2	208-240V / 1	1.25

CABINET DIMENSIONS WITHOUT MOUNT



CABINET DIMENSIONS WITH MOUNT

