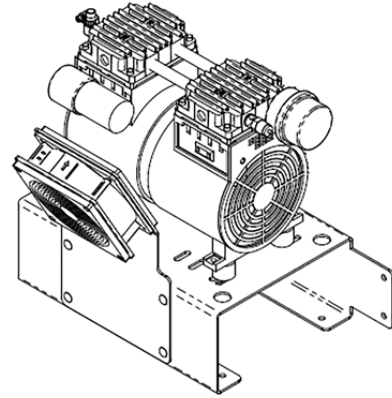


HYDRAFORCE LIFT STATION AGITATOR NO-CABINET SYSTEM

OVERVIEW

- System includes rocking piston compressor, mounting base, diffuser(s)
- Weighted air tubing standard on 1-3 diffuser systems
- Designed for 24-hour operation with minimal maintenance
- Inlet air filter visual maintenance indicator
- Patent-pending noise-cancelling design to dramatically reduce compressor sound



COMPRESSOR

- Continuous-duty rated
- Ramped reed valve
- Heat-resistant tubing
- Paper air filter element
- UL/CSA Recognized
- Can supply up to 3 diffuser heads

Teich-Aire KM-60C

- 1/4HP oilless piston compressor
- 115V (KM-60C) 2.2 amps, 3.8 CFM @ 0 psi
- 40 psi pressure relief valve

Teich-Aire KM-120C

- 1/2HP oilless piston compressor
- 115V (KM-120C) 3.0 amps, 5.5 CFM @ 0 psi
- 40 psi pressure relief valve

INSTALLATION KIT

- 316 stainless steel chain
- 316 stainless steel eyebolts
- 316 stainless steel snap hooks
- Concrete anchors & installation tool
- 25' 316 stainless steel suspension cable
- Brass cable adjuster
- Tube fitting kit

NO-CABINET MOUNT

- Accommodates one 1/4 or 1/2HP compressor
- Galvanized steel mounting bracket
- 16" on-center template
- 110 CFM cooling fan with guard
- Brass barb fittings and stainless steel hose clamps to connect 1-3 diffusers

DIFFUSER

- Independently tested to produce the most flow
- Self-weighted stainless steel base
- Proprietary linear low-density polyethylene & rubber diffuser hose
- 23" x 15.5" assembled
- Diffuser hose sits 6" above bottom of base
- Check valve

SURESINK WEIGHTED TUBING

- 3/8" x 50' roll(s)

WARRANTY

- 2 years



HYDRAFORCE LIFT STATION AGITATOR NO-CABINET SYSTEM

60 Hz STANDARD SYSTEM OVERVIEW

Model Number	Compressor(s)	# of Diffusers	Voltage/Phase	Running Amps @ 5 psi	Number of 50-ft. rolls of 3/8" tubing included
LS-125-NC	KM-60C (1/4HP)	1	120V / 1	2.5	1
LS-225-NC	KM-60C (1/4HP)	2	120V / 1	2.5	2
LS-325-NC	KM-60C (1/4HP)	3	120V / 1	2.5	3
LS-150-NC	KM-120C (1/2HP)	1	120V / 1	3.5	1
LS-250-NC	KM-120C (1/2HP)	2	120V / 1	3.5	2
LS-350-NC	KM-120C (1/2HP)	3	120V / 1	3.5	3

