



HYDRAFORCE LIFT STATION AGITATOR STAINLESS STEEL CABINET SYSTEM

OVERVIEW

- System includes rocking piston compressor, mounting base, diffuser(s)
- Weighted air tubing standard on 1-2 diffuser systems
- Designed for 24-hour operation with minimal maintenance

COMPRESSOR

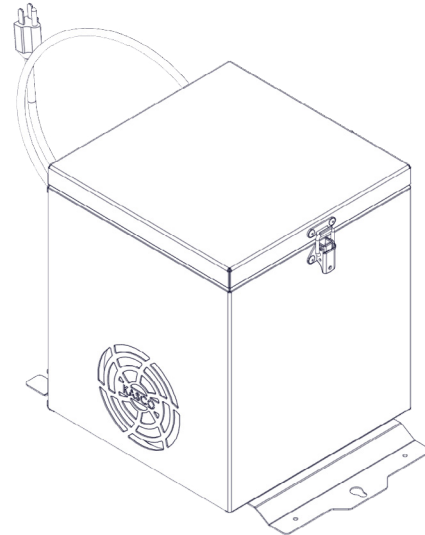
- Continuous-duty rated
- Ramped reed valve
- Heat-resistant tubing
- Paper air filter element
- UL/CSA Recognized
- Can supply up to 2 diffuser heads

Teich-Aire KM-60C

- 1/4HP oilless piston compressor
- 115V (KM-60C) 3.2 amps @ 20 psi
- 230V (KM-60HC) 1.6 amps @ 20 psi
- 3.4 CFM @ 5psi
- 40 psi pressure relief valve
- Can supply up to 2 diffuser heads

INSTALLATION KIT

- 316 stainless steel chain, eyebolts, strain reliefs, and snap hooks
- Concrete anchors & installation tool
- Tube fitting kit
- 3/8" x 50' roll(s) of SureSink weighted tubing



STAINLESS STEEL CABINET

- Accommodates one 1/4HP compressor
- Uncoated 304 stainless steel cabinet
- Ground pad installation recommended
- Mounting bracket included
- Cooling air filtered as it's drawn into cabinet
- 110 CFM cooling fan with guard
- 15" x 12.5" x 12" with included mount
- 6' pigtail with plug
- Brass barb fittings and stainless steel hose clamps to connect 1-3 diffusers

DIFFUSER

- Self-weighted stainless steel base
- Proprietary linear low-density polyethylene & rubber diffuser hose
- 15.5" x 9" x 5.75" assembled
- Check valve

WARRANTY

- 2 years



HYDRAFORCE LIFT STATION AGITATOR POST MOUNT SYSTEM

60 Hz STANDARD SYSTEM OVERVIEW

Model Number	Compressor(s)	# of Diffusers	Voltage/Phase	Running Amps @ 5 psi	Number of 50-ft. rolls of 3/8" tubing included
LS-125	KM-60C (1/4HP)	1	120V / 1	2.5	1
LSH-125	KM-60HC (1/4HP)	1	208-240V / 1	1.25	1
LS-225	KM-60C (1/4HP)	2	120V / 1	2.5	2
LSH-225	KM-60HC (1/4HP)	2	208-240V / 1	1.25	2



HYDRAFORCE LIFT STATION STAINLESS STEEL CABINET CUT SHEET

800 Deere Rd. Prescott, WI 54021 | 715.262.4488 | support@kascomarine.com | kascomarine.com