



2.3JF FOUNTAIN

OVERVIEW

- Complete package includes motor unit, control panel, float with screens, mooring lines, cable, five interchangeable nozzles.
- Cable is UL, CSA & NEC rated for underwater use.
- Total package Listed by ETL to UL/CSA standards.
- Intake near surface allows for shallow operation
- Saltwater compatible
- Packaged for convenient shipping
- Optional lighting available

FLOAT

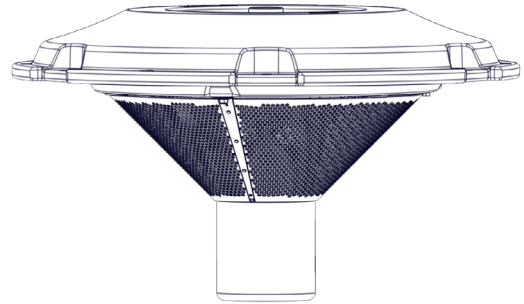
- UV-resistant polyethylene
- Single-piece float
- Series 300 stainless steel hardware
- Series 300 stainless steel bottom screen
- Three 50' braided nylon mooring ropes

FOUNTAIN COMPONENTS

- Custom thermoplastic impeller
- UV-resistant thermoplastic cone and fountain housing
- Stainless-steel base plate
- Series 300 stainless-steel hardware
- Five thermoplastic nozzles
- Twist on/off nozzles for easy pattern changes

POWER CABLE

- 4 wire (L1, L2, L3, G)
- Quick Disconnect standard
- Stainless steel strain relief standard
- 6' flex sleeving protection standard (optional for entire cord length)



Dimensions

Float diameter: 37.5"

Unit height with float: 21.5"

MOTOR UNIT

- 2HP, 208-240Vac operating voltage range, three phase
- Class B insulation
- 1750 RPM
- Oil cooled
- Continuous duty rated
- 17mm top and 20mm bottom bearings
- Thermal overload protection
- Fully unitized heavy-duty carbon-ceramic mechanical seal
- Series 300 stainless steel can
- Cast stainless steel motor top
- Sacrificial anode installed on 316 stainless shaft

CONTROL PANEL

- UL 508 Listed
- NEMA type 3R/4X thermoplastic enclosure
- Human-rated GFCI protection
- Surge protector
- Motor starter with adjustable overload
- Hand-Off-Auto switch
- 24-hour mechanical timers (fountains & lights)
- Terminal block wiring
- 5-wire power required (L1, L2, L3, N, G)

2.3JF FOUNTAIN

OVERVIEW

HP	Voltage / Phase / Hz	Running Amps	Lock Rotor Amps	Suggested Pond Size (SA)	Min. Depth of Operation (in.)
2	208-240V / 3 / 60	7.5	40	Up to 1*	20"

*Surface Acreage; also consider pond shape, depth, and oxygen demand.

MODEL SPECIFICATIONS

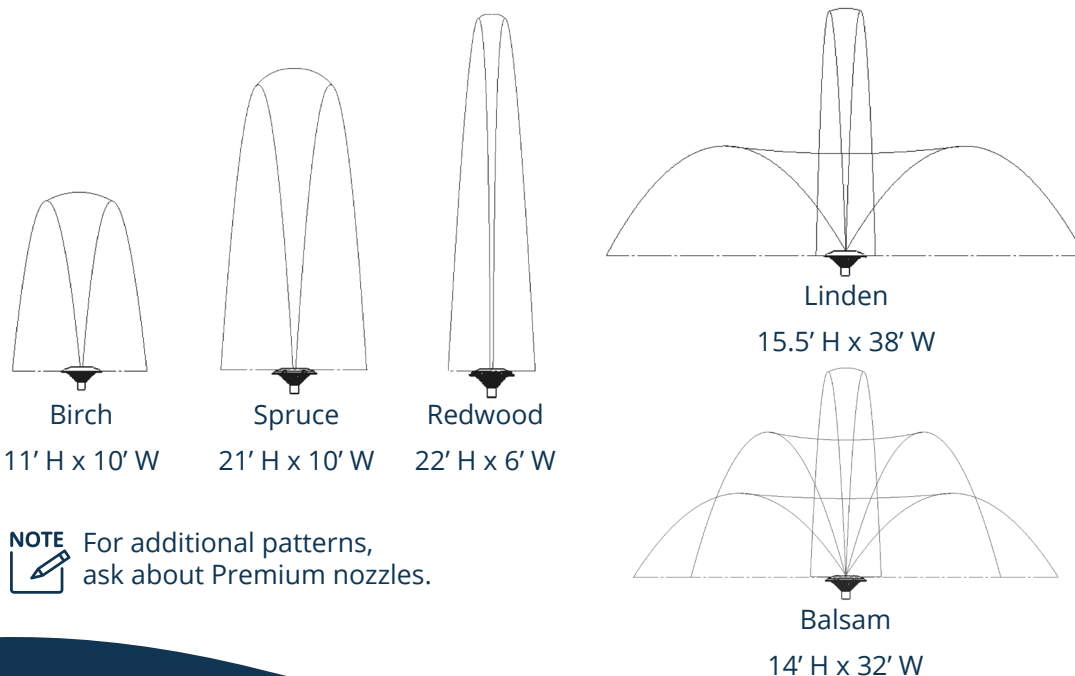
Model	Cord Length (ft.)	Cord Gauge	Number of Boxes
2.3JF050	50	14/4	4
2.3JF100	100	14/4	4
2.3JF150	150	14/4	4
2.3JF200	200	14/4	4
2.3JF250	250	12/4	4
2.3JF300	300	12/4	4
2.3JF400	400	10/4	4**
2.3JF500	500*	10/4	4**

*500' and longer cords available by custom order only.

**Ships motor freight only.



INCLUDED PATTERNS



NOTE For additional patterns, ask about Premium nozzles.

