



# 3.3HJF FOUNTAIN

## OVERVIEW

- Complete package includes motor unit, control panel, float with screens, mooring lines, cable, five interchangeable nozzles.
- Cable is UL, CSA & NEC rated for underwater use.
- Total package Listed by ETL to UL/CSA standards.
- Intake near surface allows for shallow operation
- Saltwater compatible
- Packaged for convenient shipping
- Optional lighting available

## FLOAT

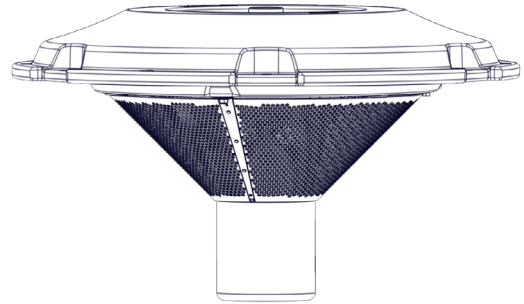
- UV-resistant polyethylene
- Single-piece float
- Series 300 stainless steel hardware
- Series 300 stainless steel bottom screen
- Three 50' braided nylon mooring ropes

## FOUNTAIN COMPONENTS

- Custom thermoplastic impeller
- UV-resistant thermoplastic cone and fountain housing
- Stainless-steel base plate
- Series 300 stainless steel hardware
- Five thermoplastic nozzles
- Twist on/off nozzles for easy pattern changes

## POWER CABLE

- 4 wire (L1, L2, L3, G)
- Quick Disconnect standard
- Stainless steel strain relief standard
- 6' flex sleeving protection standard (optional for entire cord length)



## Dimensions

Float diameter: 43"

Unit height with float: 24"

## MOTOR UNIT

- 3HP, 460Vac operating voltage, three phase
- Class B insulation
- 1750 RPM
- Oil cooled
- Continuous duty rated
- 17mm top and 20mm bottom bearings
- Thermal overload protection
- Fully unitized heavy-duty carbon-ceramic mechanical seal
- Series 300 stainless steel can
- Cast stainless steel motor top
- Sacrificial anode installed on 316 stainless shaft

## CONTROL PANEL

- UL 508 Listed
- NEMA type 3R/4X thermoplastic enclosure
- Equipment-rated GFCI protection
- Surge protector
- Motor starter with adjustable overload
- Hand-Off-Auto switch
- 24-hour mechanical timers (fountains & lights)
- Terminal block wiring
- 5-wire power required (L1, L2, L3, N, G)

# 3.3HJF FOUNTAIN

## OVERVIEW

HP	Voltage / Phase / Hz	Running Amps	Lock Rotor Amps	Suggested Pond Size (SA)	Min. Depth of Operation (in.)
3	460V / 3 / 60	5	31	Up to 1.5*	24"

\*Surface Acreage; also consider pond shape, depth, and oxygen demand.

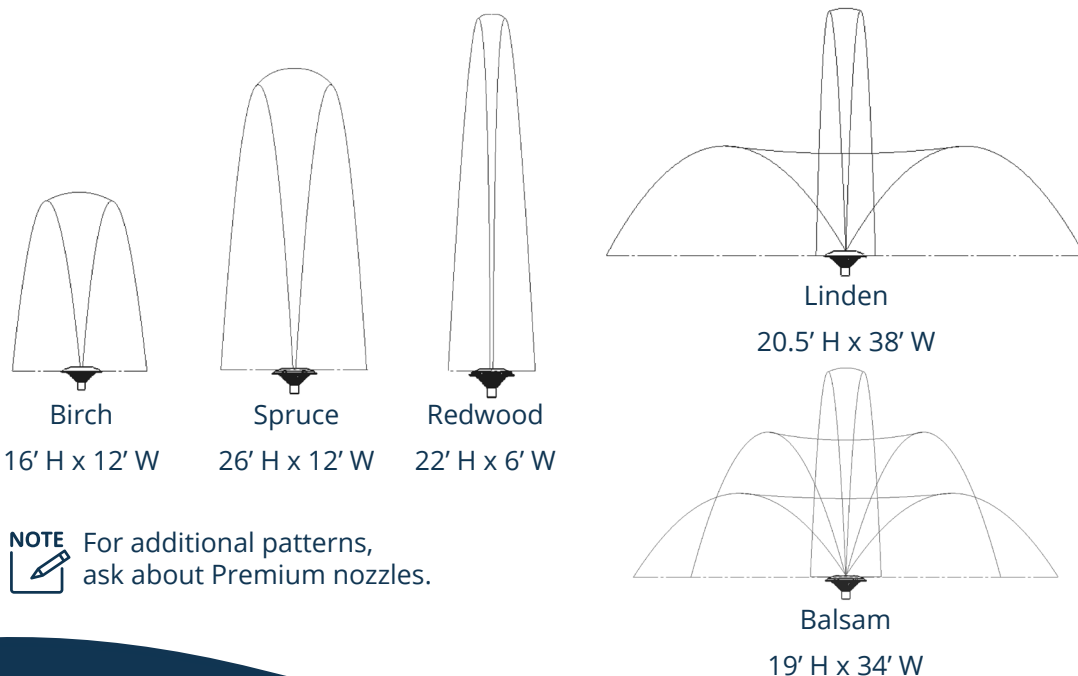
## MODEL SPECIFICATIONS

Model	Cord Length (ft.)	Cord Gauge	Number of Boxes
3.3HJF050	50	14/4	4
3.3HJF100	100	14/4	4
3.3HJF150	150	14/4	4
3.3HJF200	200	14/4	4
3.3HJF250	250	14/4	4
3.3HJF300	300	14/4	4
3.3HJF400	400	14/4	4
3.3HJF500	500*	14/4	4

\*500' and longer cords available by custom order only.



## INCLUDED PATTERNS



**NOTE** For additional patterns, ask about Premium nozzles.

