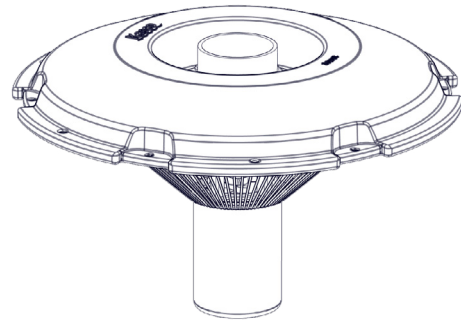




LARGE 50 HZ EVFX FOUNTAIN

OVERVIEW

- Complete package includes motor unit, float with screens, mooring lines, cable.
- Rubber 1m stub cord
- CE Marked
- Intake near surface allows for shallow operation
- Saltwater compatible
- Packaged for convenient shipping
- Optional lighting available



FLOAT

- UV-resistant polyethylene
- Single-piece float
- Series 300 stainless steel hardware
- Series 300 stainless steel top & bottom screens
- Three 15m braided mooring ropes

FOUNTAIN COMPONENTS

- Custom thermoplastic propeller
- UV-resistant thermoplastic draft tube
- UV-resistant thermoplastic deflector disc
- Series 300 stainless steel hardware

POWER CABLE

- 1m stub cord
- Rubber jacket, 3-conductor power cord with earth conductor
- Potted quick disconnect and stainless steel strain relief standard on all stub cords
- Flex sleeve cord protection

MOTOR UNIT

- 3HP, 230V single phase or 380V 3-phase
- Class B insulation
- 1450 RPM
- Oil cooled
- Continuous duty rated
- Long-life bearings
- Thermal overload protection
- Fully unitized heavy-duty carbon-ceramic mechanical seal
- Series 300 stainless steel can
- Engineering grade thermoplastic top
- Sacrificial anode installed on 316 stainless shaft

OPTIONAL LIGHTS

- 230V, 50Hz compatible
- Ultrasonic welded watertight composite housing with 5 colored lenses
- Includes light fixtures and stub cord

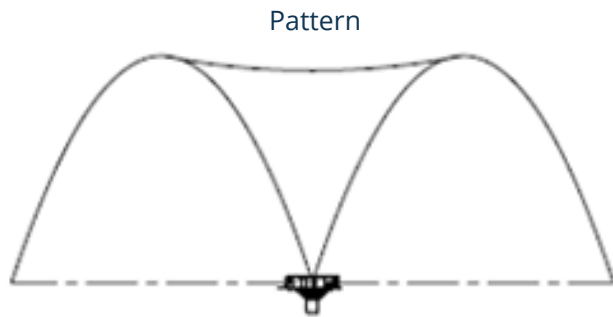
LARGE 50 HZ EVFX FOUNTAIN

OVERVIEW

Model	HP	Voltage / Phase / Hz	Amperage	Locked Rotor Amps	Suggested Pond Size (m ²)	Min. Depth of Operation
3.1EVFX	3	230 / 1 / 50	12.6	59.7	8,000	61cm
3.3EHVFX	3	380 / 3 / 50	5	23	8,000	61cm

WIRE SIZE

	Cord Length			
	10m	30m	60m	90m
3.1EVFX	1.5mm ²	2.5mm ²	6mm ²	6mm ²
3.3EHVFX	2.5mm ²	2.5mm ²	2.5mm ²	2.5mm ²



Pattern size: 2m high x 7.3m wide

