



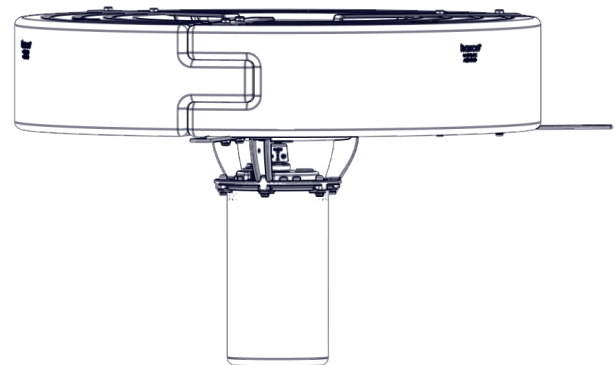
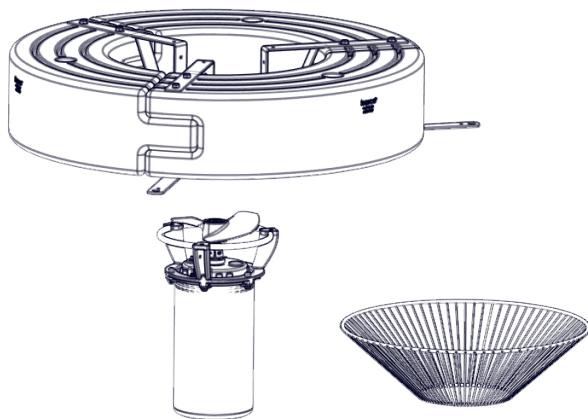
# LARGE 50 HZ SURFACE AERATOR

## OVERVIEW

- Complete package includes assembled motor unit, float, three mooring lines, and power cable.
- Operates in 66cm of water.
- CE Marked
- Corrosion protection for saltwater applications
- Intake near surface allows for shallow operation
- Optional lighting

## MOTOR UNIT

- Available models:
  - 2HP, 230V single phase or 380V 3-phase
  - 3HP, 230V single phase or 380V 3-phase
- 1450 RPM
- Oil cooled, continuous duty rated
- Long-life bearings
- Thermal overload protection
- Fully unitized heavy-duty carbon ceramic mechanical seal
- Series 300 stainless steel can
- Cast stainless steel motor top
- Sacrificial anode
- Custom-engineered UV-resistant thermoplastic propeller



## FLOAT

- UV-resistant high-density thermoplastic
- Three-piece float
- Series 300 coated stainless steel hardware
- Three 15m braided mooring ropes
- Optional coated stainless steel bottom screen

## POWER CABLE

- 1m stub cord
- Rubber jacket, 3-conductor power cord with earth conductor
- Potted quick disconnect and stainless steel strain relief standard on all stub cords
- Flex sleeve cord protection

## OPTIONAL LIGHTS

- 230V, 50 Hz compatible
- Ultrasonic welded watertight composite housing with 5 colored lenses
- Includes light fixtures and stub cord

**Kasco**<sup>®</sup>

# LARGE 50 HZ SURFACE AERATOR

## OVERVIEW

Model	HP	Voltage / Phase / Hz	Amperage	Locked Rotor Amps	Suggested Pond Size (m <sup>2</sup> )	Min. Depth of Operation
8400EAF	2	230 / 1 / 50	8	40	8,000	51cm
2.3EHAF	2	380 / 3 / 50	3.3	12	8,000	51cm
3.1EAF	3	230 / 1 / 50	12.6	59	12,000	61cm
3.3EHAF	3	380 / 3 / 50	5	20	12,000	61cm

## WIRE SIZE

	Cord Length			
	10m	30m	60m	90m
8400EAF	1.5mm <sup>2</sup>	2.5mm <sup>2</sup>	4mm <sup>2</sup>	6mm <sup>2</sup>
2.3EHAF	2.5mm <sup>2</sup>	2.5mm <sup>2</sup>	2.5mm <sup>2</sup>	2.5mm <sup>2</sup>
3.1EAF	1.5mm <sup>2</sup>	2.5mm <sup>2</sup>	6mm <sup>2</sup>	6mm <sup>2</sup>
3.3EHAF	2.5mm <sup>2</sup>	2.5mm <sup>2</sup>	2.5mm <sup>2</sup>	2.5mm <sup>2</sup>

