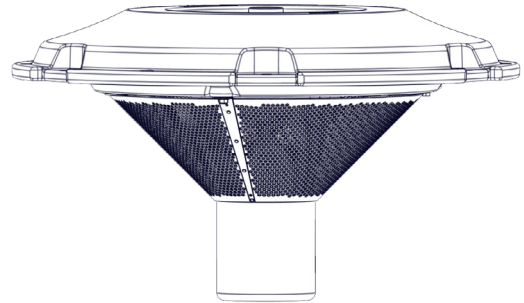




MID-SIZE 50 HZ EJ SERIES FOUNTAIN

OVERVIEW

- Complete package includes motor unit, float with screens, mooring lines, power cable, and four interchangeable nozzles.
- CE Marked
- Intake near surface allows for shallow operation
- Saltwater compatible
- Packaged for convenient shipping
- Optional lighting available



FLOAT

- UV-resistant polyethylene
- Single-piece float
- Series 300 stainless steel hardware
- Series 300 stainless steel bottom screen
- Three 15m braided mooring ropes

FOUNTAIN COMPONENTS

- Custom thermoplastic impeller
- UV-resistant thermoplastic cone and fountain housing
- Series 300 stainless steel hardware
- Four thermoplastic nozzles (five patterns)
- Twist on/off nozzles for easy pattern changes

POWER CABLE

- 10m power cord or 1m stub cord for 2HP & 3HP units
- 10m or 30m power cord or 1m stub cord for 1HP units
- Rubber jacket, 3-conductor power cord with earth conductor
- Potted quick disconnect and stainless steel strain relief standard on all stub cords
- Flex sleeve cord protection

MOTOR UNIT

- Available models:
 - 1 HP, 230V, single phase
 - 2HP, 230V single phase or 380V 3-phase
 - 3HP, 230V single phase or 380V 3-phase
- Class B insulation
- 1450 RPM
- Oil cooled
- Continuous duty rated
- Long-life bearings
- Thermal overload protection
- Fully unitized heavy-duty carbon-ceramic mechanical seal
- Series 300 stainless steel can
- Engineering grade thermoplastic top
- Sacrificial anode installed on 316 stainless shaft

OPTIONAL LIGHTS

- 230V, 50Hz compatible
- Ultrasonic welded watertight composite housing with 5 colored lenses
- Includes light fixtures and stub cord

Kasco[®]

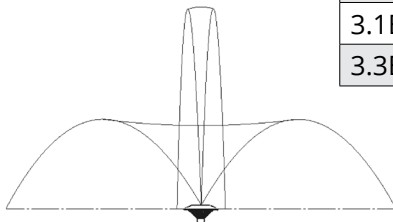
MID-SIZE 50 HZ EJ SERIES FOUNTAIN

OVERVIEW

Model	HP	Voltage / Phase / Hz	Amperage	Locked Rotor Amps	Suggested Pond Size (m ²)	Min. Depth of Operation
4400EJF	1	230 / 1 / 50	6.5	19.6	2,000	49cm
8400EJF	2	230 / 1 / 50	9.5	46.5	4,000	51cm
2.3EHJF	2	380 / 3 / 50	3.3	15.5	4,000	51cm
3.1EJF	3	230 / 1 / 50	12.6	59.7	6,000	61cm
3.3EHJF	3	380 / 3 / 50	5	20	6,000	61cm

WIRE SIZE

	Cord Length			
	10m	30m	60m	90m
4400EJF	1.5mm ²	1.5mm ²	2.5mm ²	4mm ²
8400EJF	1.5mm ²	2.5mm ²	4mm ²	6mm ²
2.3EHJF	2.5mm ²	2.5mm ²	2.5mm ²	2.5mm ²
3.1EJF	1.5mm ²	2.5mm ²	6mm ²	6mm ²
3.3EHJ	2.5mm ²	2.5mm ²	2.5mm ²	2.5mm ²

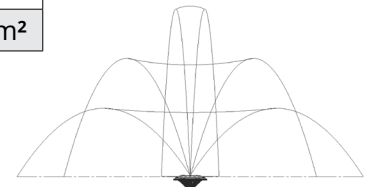


Linden

HP	Height	Width
1	3.4m	9.4m
2	5.2m	10.7m
3	5.5m	11.9m

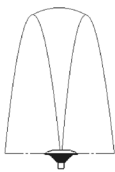


INCLUDED PATTERNS



Balsam

HP	Height	Width
1	2.9	7.3
2	4.9m	9.4m
3	3.8m	7.9m



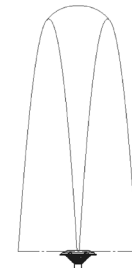
Birch

HP	Height	Width
1	2.3m	2.4m
2	3.5m	3m
3	4.9m	2.7m



Redwood

HP	Height	Width
1	4.9m	1.5m
2	6.9m	1.8m
3	7.2m	1.8m



Spruce

HP	Height	Width
1	4.7m	2.1m
2	6.6m	2.7m
3	7m	2.7m

