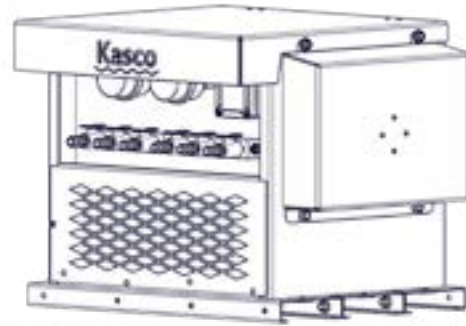




ROBUST-AIRE DIFFUSED AERATION MEDIUM CABINET SYSTEM

OVERVIEW

- System includes rocking piston compressors, cabinet, diffusers
- Designed for 24-hour operation with minimal maintenance
- Compressed air inlet filter visual maintenance indicator
- Patent-pending noise-canceling design to dramatically reduce compressor sound



COMPRESSOR

- Continuous-duty rated
- Ramped reed valve
- Heat-resistant tubing
- Paper air filter element for compressed air
- UL/CSA Recognized

Teich-Aire KM-120C

- 1/2HP oilless piston compressor
- 115V (KM-120C) 4.0 amps @ 20 psi
- 230V (KM-120HC) 2.0 amps @ 20 psi
- 4.9 CFM @ 5 psi; 4.0 CFM @ 25 psi
- 25 psi pressure relief valve
- Can supply up to 3 diffuser heads

SURESINK WEIGHTED TUBING

- Sold separately
- Cabinet equipped with 3/8" barbs, 5/8" barb kit available
- 100' rolls or 500' reels
 - 100' packages include all fittings

OPTIONAL REMOTE MANIFOLD

- Aluminum manifold with brass valves

MEDIUM CABINET

- Accommodates two 1/2HP compressors
- Powder-coated aluminum cabinet
- Ground pad installation recommended
- Cooling air filtered as it's drawn into cabinet
- 25-7/8" x 20-11/16" x 19-5/8"
- 2 - compressor cabinet has one power cord with plug for inserting into a power receptacle

DIFFUSER

- Self-weighted stainless steel base designed to land upright every time
- Integrated tubing strain relief & rope tie-offs
- Molded plastic edge guards protect pond lining
- Proprietary linear low-density polyethylene & rubber diffuser hose
- 23" x 15.5" assembled
- Diffuser hose sits 6" above bottom of base
- Check valve

WARRANTY

- Diffusers: Lifetime
- Cabinet: Lifetime
 - Exhaust fans: 3 years
- SureSink Tubing: 15 years
- Compressor
 - Motor: 3 years
 - Piston cups and cylinders: 2 years



ROBUST-AIRE DIFFUSED AERATION MEDIUM CABINET SYSTEM

Model	Compressor	# of Diffusers	Voltage/Phase	Amps
RA4	2 x KM-120C	4	120V / 1	7
RAH4	2 x KM-120HC	4	208-240V / 1	3.5
RA5	2 x KM-120C	5	120V / 1	7
RAH5	2 x KM-120HC	5	208-240V / 1	3.5
RA6	2 x KM-120C	6	120V / 1	7
RAH6	2 x KM-120HC	6	208-240V / 1	3.5

CABINET DIMENSIONS

