



# ROBUSTAIRE DIFFUSED AERATION SMALL CABINET SYSTEM

## OVERVIEW

- System includes rocking piston compressor, cabinet, diffuser(s), weighted tubing
- Designed for 24-hour operation with minimal maintenance
- Compressed air inlet filter visual maintenance indicator
- Patent-pending noise-canceling design to dramatically reduce compressor sound

## COMPRESSOR

- Continuous-duty rated
- Ramped reed valve
- Heat-resistant tubing
- Paper air filter element for compressed air
- UL/CSA Recognized

### Teich-Aire KM-60C

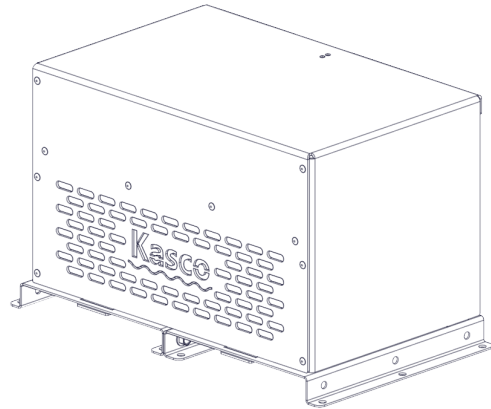
- 1/4HP oilless piston compressor
- 115V (KM-60C) 3.2 amps @ 20 psi
- 230V (KM-60HC) 1.6 amps @ 20 psi
- 3.4 CFM @ 5 psi; 2.7 CFM @ 25 psi
- 25 psi pressure relief valve
- Can supply up to 2 diffuser heads

### Teich-Aire KM-120C

- 1/2HP oilless piston compressor
- 115V (KM-120C) 4.0 amps @ 20 psi
- 230V (KM-120HC) 2.0 amps @ 20 psi
- 4.9 CFM @ 5 psi; 4.0 CFM @ 25 psi
- 25 psi pressure relief valve
- Can supply up to 3 diffuser heads

## SURESINK WEIGHTED TUBING

- Tubing included
- Cabinet equipped with 3/8" barbs, 5/8" barb kit available
- 100' rolls or 500' reels
  - 100' packages include all fittings



## OPTIONAL REMOTE MANIFOLD

- Aluminum manifold with brass valves

## SMALL CABINET

- Accommodates one 1/4 or 1/2HP compressor
- Powder-coated aluminum cabinet
- Ground pad installation recommended
- Optional Mounting Bracket available
- Cooling air filtered as it's drawn into cabinet
- 22-1/2" x 17" x 13-3/8"
- 1 - compressor cabinet has one power cord with a plug for inserting into a power receptacle

## DIFFUSER

- Self-weighted stainless steel base designed to land upright every time
- Integrated tubing strain relief & rope tie-offs
- Molded plastic edge guards protect pond lining
- Proprietary linear low-density polyethylene & rubber diffuser hose
- 23" x 15.5" assembled
- Diffuser hose sits 6" above bottom of base
- Check valve

## WARRANTY

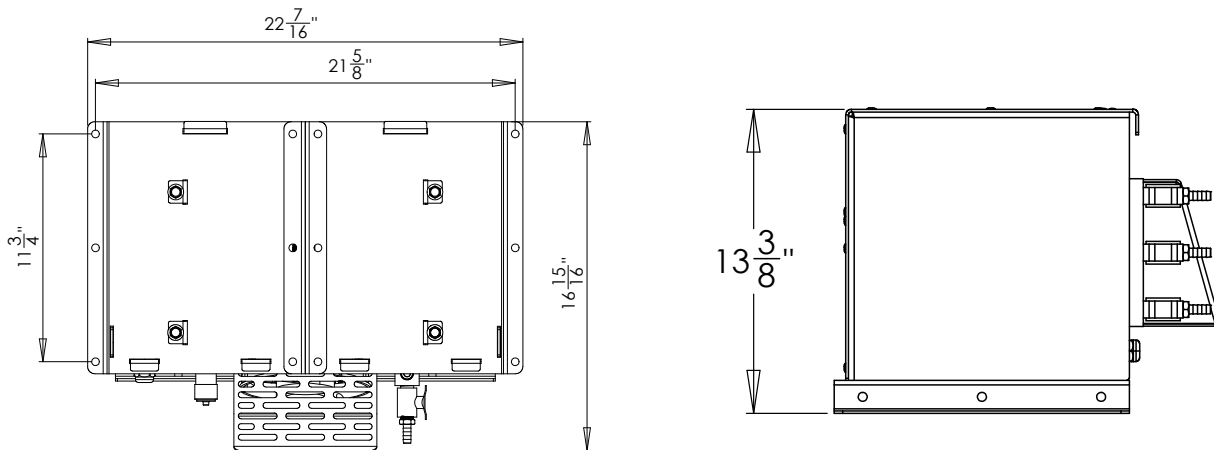
- Diffusers: Lifetime
- Cabinet: Lifetime
  - Exhaust fans: 3 years
- SureSink Tubing: 15 years
- Compressor
  - Motor: 3 years
  - Piston cups and cylinders: 2 years



# ROBUSTAIRE DIFFUSED AERATION SMALL CABINET SYSTEM

| Model                        | Compressor(s)        | # of Diffusers | Voltage/Phase | Amps |
|------------------------------|----------------------|----------------|---------------|------|
| <b>Standard Systems</b>      |                      |                |               |      |
| RA1                          | KM-60C (1/4HP x 1)   | 1              | 120V / 1      | 2.5  |
| RAH1                         | KM-60HC (1/4HP x 1)  | 1              | 208-240V / 1  | 1.25 |
| RA2                          | KM-60C (1/4HP x 1)   | 2              | 120V / 1      | 2.5  |
| RAH2                         | KM-60HC (1/4HP x 1)  | 2              | 208-240V / 1  | 1.25 |
| RA3                          | KM-120C (1/2HP x 1)  | 3              | 120V / 1      | 3.5  |
| RAH3                         | KM-120HC (1/2HP x 1) | 3              | 208-240V / 1  | 1.75 |
| <b>Double Piston Systems</b> |                      |                |               |      |
| RA2DP                        | KM-120C (1/2HP x 1)  | 2              | 120V / 1      | 3.5  |
| RAH2DP                       | KM-120HC (1/2HP x 1) | 2              | 208-240V / 1  | 1.75 |

## CABINET DIMENSIONS WITHOUT POST MOUNT



## CABINET DIMENSIONS WITH MOUNTING BRACKET

