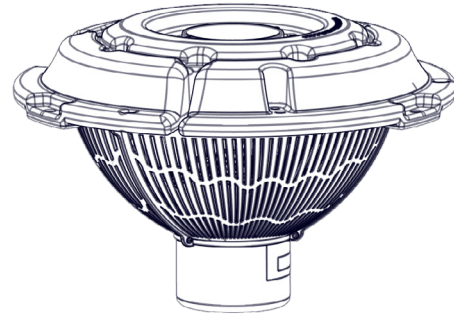




# SMALL 50 HZ EVFX FOUNTAIN

## OVERVIEW

- Complete package includes motor unit, float with screen, mooring lines, and power cable
- CE Marked
- Intake near surface allows for shallow operation
- Saltwater compatible
- Packaged for convenient shipping
- Optional lighting available



## FLOAT

- UV-resistant polyethylene
- Single-piece float
- Series 300 stainless steel hardware
- Thermoplastic protective bottom screen
- Two 15m braided mooring ropes

## FOUNTAIN COMPONENTS

- Custom thermoplastic propeller
- UV-resistant thermoplastic draft tube and fountain disc
- Series 300 stainless steel hardware

## POWER CABLE

- 10m or 30m power cord or 1m stub cord
- Rubber jacket, 3-conductor power cord with earth conductor
- Potted quick disconnect and stainless steel strain relief standard on all stub cords
- Flex sleeve cord protection

## MOTOR UNIT

- 1/2 - 1HP, 230V single phase
- 1450 RPM
- Oil cooled
- Continuous duty rated
- Long-life bearings
- Thermal overload protection
- Fully unitized heavy-duty carbon-ceramic mechanical seal
- Series 300 stainless steel can
- Engineering grade thermoplastic top
- Sacrificial anode installed on 316 stainless shaft

## OPTIONAL LIGHTS

- 230V, 50Hz compatible
- Ultrasonic welded watertight composite housing with 5 colored lenses
- Includes light fixtures and stub cord

# SMALL 50 HZ EVFX FOUNTAIN

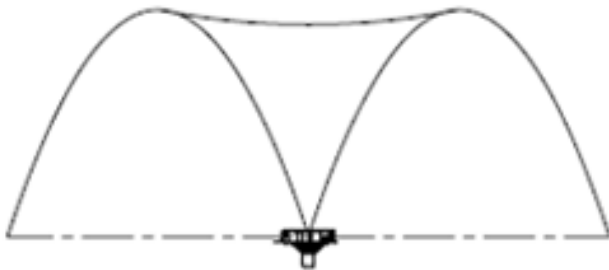
## OVERVIEW

Model	HP	Voltage / Phase / Hz	Amperage	Locked Rotor Amps	Suggested Pond Size (m <sup>2</sup> )	Min. Depth of Operation
2400EVFX	1/2	230 / 1 / 50	2.2	5.3	1,300	45cm
3400EVFX	3/4	230 / 1 / 50	3.5	12.8	2,000	45cm
4400EVFX	1	230 / 1 / 50	5.9	19.6	3,000	49cm

## WIRE SIZE

	Cord Length			
	10m	30m	60m	90m
2400EVFX	1.5mm <sup>2</sup>	1.5mm <sup>2</sup>	2.mm <sup>2</sup>	2.mm <sup>2</sup>
3400EVFX	1.5mm <sup>2</sup>	1.5mm <sup>2</sup>	2.5mm <sup>2</sup>	2.mm <sup>2</sup>
4400EVFX	1.5mm <sup>2</sup>	1.5mm <sup>2</sup>	2.5mm <sup>2</sup>	4mm <sup>2</sup>

Pattern



	Pattern size
2400EVFX	1.15m high x 4.3m wide
3400EVFX	1.7m high x 6.1m wide
4400EVFX	1.7m high x 6.7m wide

Easy assembly

