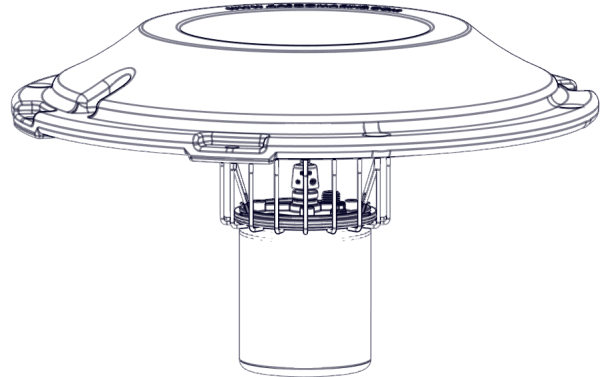




SMALL 50 HZ SURFACE AERATOR

OVERVIEW

- Complete package includes assembled motor unit, float, mooring lines, and power cable.
- Intake near surface allows for shallow operation
- CE Marked
- Saltwater compatible
- Optional lighting



MOTOR UNIT

- 1/2, 3/4, or 1HP, 230V single phase
- 1450 RPM
- Oil cooled, continuous duty rated
- Long-life bearings
- Thermal overload protection
- Fully unitized heavy-duty carbon ceramic mechanical seal
- Series 300 stainless steel can
- Engineering grade thermoplastic top
- Sacrificial anode installed on 316 stainless shaft
- Custom-engineered UV-resistant thermoplastic propeller

FLOAT

- UV-resistant polyethylene
- Single piece float
- Series 300 coated stainless steel hardware
- Two 15m braided mooring ropes
- Optional coated stainless steel bottom screen

POWER CABLE

- 10m or 30m power cord or 1m stub cord
- Rubber jacket, 3-conductor power cord with earth conductor
- Potted quick disconnect and stainless steel strain relief standard on all stub cords
- Flex sleeve cord protection

OPTIONAL LIGHTS

- 230V, 50Hz compatible
- Ultrasonic welded watertight composite housing with 5 colored lenses
- Includes light fixtures and stub cord



SMALL 50 HZ SURFACE AERATOR

OVERVIEW

Model	HP	Voltage / Phase / Hz	Amperage	Locked Rotor Amps	Suggested Pond Size (m ²)	Min. Depth of Operation
2400EAF	1/2	230 / 1 / 50	2.2	5.3	2,000	45cm
3400EAF	3/4	230 / 1 / 50	3.5	9	3,000	45cm
4400EAF	1	230 / 1 / 50	3.7	10	4,000	49cm

WIRE SIZE

	Cord Length			
	10m	30m	60m	90m
2400EAF	1.5mm ²	1.5mm ²	2.5mm ²	2.5mm ²
3400EAF	1.5mm ²	1.5mm ²	2.5mm ²	2.5mm ²
4400EAF	1.5mm ²	1.5mm ²	2.5mm ²	4mm ²

