



# 5.1AF SURFACE AERATOR

## OVERVIEW

- Complete package includes assembled motor unit, float, three mooring lines, and power cable.
- Operates in 26" (66cm) of water.
- Total package Listed by ETL to UL/CSA standards
- Corrosion protection for saltwater applications
- Intake near surface allows for shallow operation
- Optional lighting



## MOTOR UNIT

- 5HP, 208-240V, single phase
- 1750 RPM
- Oil cooled, continuous duty rated
- 17mm top and 20mm bottom bearings
- Thermal overload protection
- Fully unitized heavy-duty carbon ceramic mechanical seal
- Series 300 Austenitic stainless steel can
- Cast stainless steel motor top
- Sacrificial anode
- Custom-engineered UV-resistant thermoplastic 2-blade weedless propeller

## POWER CABLE

- UL, CSA & NEC approved underwater rated cable
- SJTOW rated (SOOW on 8+ AWG)
- 3 wire (L1, L2, G)
- Quick Disconnect on 12+ AWG cords
- Stainless steel strain relief on 12+ AWG cords
- 6' flex sleeving protection

## FLOAT

- UV-resistant high-density thermoplastic
- Three-piece float
- Series 300 coated stainless steel hardware
- Three 50' braided nylon mooring ropes
- Optional coated stainless steel bottom screen

## OPTIONAL C230 CONTROL PANEL

- UL type 3R/4X thermoplastic enclosure
- 30-Amp breaker
- GFCI protection with 5ma trip level
- 24-hour mechanical aerator timer
- Surge protector
- Use C95 panel if purchasing optional lighting

# 5.1AF SURFACE AERATOR

HP	Voltage / Phase / Hz	Running Amps	Locked Rotor Amps	Suggested Pond Size (SA)*	Min. Depth of Operation (in.)
5	208-240V / 1 / 60	18	97	Up to 5	26"

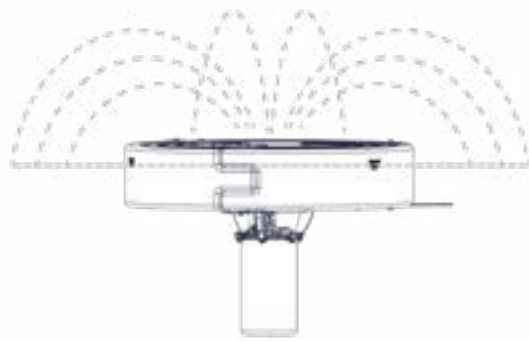
\*Surface Acreage; also consider pond shape, depth, and oxygen demand.

## MODEL SPECIFICATIONS

Model	Cord Length	Cord Gauge	Number of Boxes*	Shipping Weight*
5.1AF100	100 ft.	12/3	3	140 lbs.
5.1AF150	150 ft.	10/3	3	146 lbs.
5.1AF200	200 ft.	10/3	3	185 lbs.
5.1AF250	250 ft.	8/3	3**	192 lbs.
5.1AF300	300 ft.	6/3	3**	199 lbs.
5.1AF400	400 ft.	6/3	3**	313 lbs.
5.1AF500	500 ft.	6/3	3**	363 lbs.

\* Subtract 1 box and 19 lbs. for U models.

\*\* Ships motor freight only.



Pattern = 60" H x 148" W

