



2.3VFX FOUNTAIN

OVERVIEW

- Complete package includes motor unit, control panel, float with screens, mooring lines, cable
- Total package Listed by ETL to UL/CSA standards
- Intake near surface allows for shallow operation
- Saltwater compatible
- Packaged for convenient shipping
- Optional lighting available

FLOAT

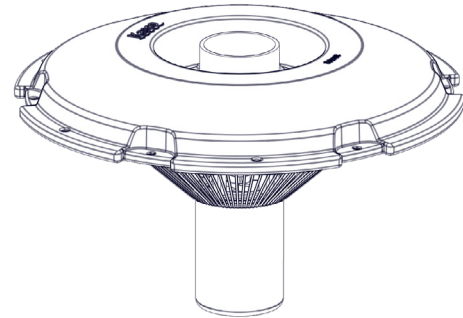
- UV-resistant polyethylene
- Single-piece float
- Series 300 stainless steel hardware
- Series 300 stainless steel top & bottom screens
- Three 50' braided nylon mooring ropes

FOUNTAIN COMPONENTS

- Custom thermoplastic propeller
- UV-resistant thermoplastic draft tube
- UV-resistant thermoplastic deflector disc
- Series 300 stainless steel hardware

POWER CABLE

- 4 wire (L1, L2, L3, G)
- Quick Disconnect standard
- Stainless steel strain relief standard
- 6' flex sleeving protection standard (optional for entire cord length)
- Cable is UL, CSA & NEC rated for underwater use



Dimensions

Float diameter: 43"

Unit height with float: 22.75"

MOTOR UNIT

- 2HP, 208-240Vac operating voltage range, three phase
- Class B insulation
- 1750 RPM
- Oil cooled
- Continuous duty rated
- 17mm top and 20mm bottom bearings
- Fully unitized heavy-duty carbon-ceramic mechanical seal
- Series 300 stainless steel can
- Cast stainless steel motor top
- Sacrificial anode installed on 316 stainless shaft

CONTROL PANEL

- UL 508 Listed
- UL type 3R/4X thermoplastic enclosure
- Human-rated GFCI protection
- Surge protector
- Motor starter with adjustable overload
- Hand-Off-Auto switch
- 24-hour mechanical timers (fountain & lights)
- Terminal block wiring
- 5-wire power required (L1, L2, L3, N, G)

2.3VFX FOUNTAIN

OVERVIEW

HP	Voltage / Phase / Hz	Running Amps	Lock Rotor Amps	Suggested Pond Size (SA)	Min. Depth of Operation (in.)
2	208-240V / 3 / 60	7.5	30	Up to 1*	20"

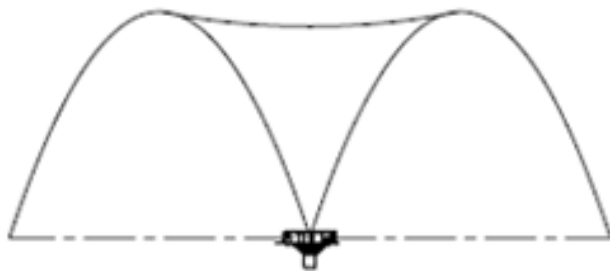
*Surface Acreage; also consider pond shape, depth, and oxygen demand.

MODEL SPECIFICATIONS

Model	Cord Length (ft.)	Cord Gauge
2.3VFX050	50	14/4
2.3VFX100	100	14/4
2.3VFX150	150	14/4
2.3VFX200	200	14/4
2.3VFX250	250	12/4
2.3VFX300	300	12/4
2.3VFX400**	400	10/4
2.3VFX500**	500*	10/4

*500' and longer cords available by custom order only.

**Ships motor freight only.



Pattern size: 8' H x 32' W

Easy assembly

