



5.1VFX FOUNTAIN

OVERVIEW

- Complete package includes motor unit, control panel, float with screens, mooring lines, cable.
- Cable is UL, CSA & NEC rated for underwater use.
- Total package Listed by ETL to UL/CSA standards.
- Intake near surface allows for shallow operation
- Saltwater compatible
- Packaged for convenient shipping
- Optional lighting available

FLOAT

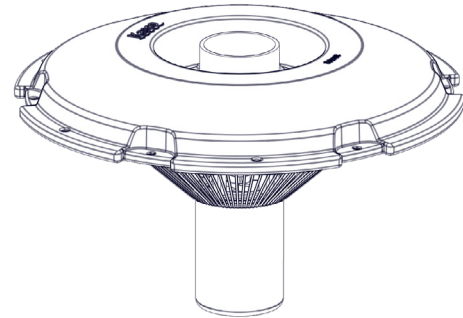
- UV-resistant polyethylene
- Single-piece float
- Series 300 stainless steel hardware
- Series 300 stainless steel top & bottom screens
- Three 50' braided nylon mooring ropes

FOUNTAIN COMPONENTS

- Custom thermoplastic propeller
- UV-resistant thermoplastic draft tube
- UV-resistant thermoplastic deflector disc
- Series 300 stainless steel hardware

POWER CABLE

- 3 wire (L1, L2, G)
- Quick Disconnect standard
- Stainless steel strain relief standard
- 6' flex sleeving protection standard (optional for entire cord length)



Dimensions

Float diameter: 47.4"

Unit height with float: 25.3"

MOTOR UNIT

- 5HP, 208-240Vac operating voltage range, single phase
- Class B insulation
- 1750 RPM
- Oil cooled
- Continuous duty rated
- 17mm top and 20mm bottom bearings
- Thermal overload protection
- Fully unitized heavy-duty carbon-ceramic mechanical seal
- Series 300 stainless steel can
- Cast stainless steel motor top
- Sacrificial anode installed on 316 stainless shaft

CONTROL PANEL

- UL Listed
- 3r/4x outdoor-rated thermoplastic enclosure
- 2 GFCI circuit breakers with 6mA ground fault protection
- Surge protector
- (2) 24-hour digital timers with battery backup
- 4-wire power required (L1, L2, N, G)

5.1VFX FOUNTAIN

OVERVIEW

HP	Voltage / Phase / Hz	Running Amps	Lock Rotor Amps	Suggested Pond Size (SA)	Min. Depth of Operation (in.)
5	208-240V / 1 / 60	20	88	Up to 2.5*	26"

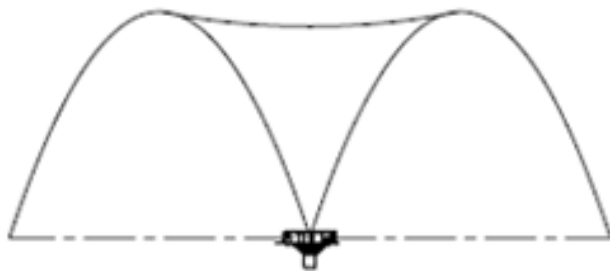
*Surface Acreage; also consider pond shape, depth, and oxygen demand.

MODEL SPECIFICATIONS

Model	Cord Length (ft.)	Cord Gauge	Number of Boxes
5.1VFX100	100	12/3	4**
5.1VFX150	150	10/3	4**
5.1VFX200	200	10/3	4**
5.1VFX250	250	8/3	4**
5.1VFX300	300	6/3	4**
5.1VFX400	400	6/3	4**
5.1VFX500	500	6/3	4**

*500' and longer cords available by custom order only.

**Ships motor freight only.



Pattern size: 9' H x 34' W

Easy assembly

