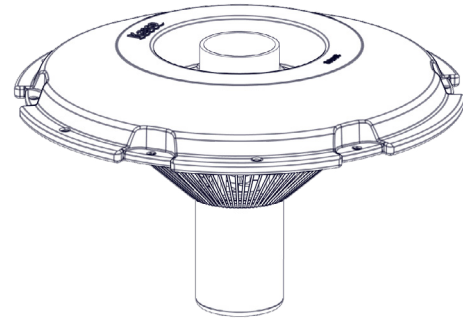




5.3HVFX FOUNTAIN

OVERVIEW

- Complete package includes motor unit, control panel, float with screens, mooring lines, cable
- Total package Listed by ETL to UL/CSA standards
- Intake near surface allows for shallow operation
- Saltwater compatible
- Packaged for convenient shipping
- Optional lighting available



Dimensions

Float diameter: 47.4"

Unit height with float: 25.3"

FLOAT

- UV-resistant polyethylene
- Single-piece float
- Series 300 stainless steel hardware
- Series 300 stainless steel top & bottom screens
- Three 50' braided nylon mooring ropes

FOUNTAIN COMPONENTS

- Custom thermoplastic propeller
- UV-resistant thermoplastic draft tube
- UV-resistant thermoplastic deflector disc
- Series 300 stainless steel hardware

POWER CABLE

- 4 wire (L1, L2, L3, G)
- Quick Disconnect standard
- Stainless steel strain relief standard
- 6' flex sleeving protection standard (optional for entire cord length)
- Cable is UL, CSA & NEC rated for underwater use

MOTOR UNIT

- 5HP, 460Vac operating voltage range, three phase
- Class B insulation
- 1750 RPM
- Oil cooled
- Continuous duty rated
- 17mm top and 20mm bottom bearings
- Fully unitized heavy-duty carbon-ceramic mechanical seal
- Series 300 stainless steel can
- Cast stainless steel motor top
- Sacrificial anode installed on 316 stainless shaft

CONTROL PANEL

- UL 508 Listed
- UL type 3R/4X thermoplastic enclosure
- Equipment-rated GFCI protection
- Surge protector
- Motor starter with adjustable overload
- Hand-Off-Auto switch
- 24-hour mechanical timers (fountain & lights)
- Terminal block wiring
- 5-wire power required (L1, L2, L3, N, G)

5.3HVFX FOUNTAIN

OVERVIEW

HP	Voltage / Phase / Hz	Running Amps	Lock Rotor Amps	Suggested Pond Size (SA)	Min. Depth of Operation (in.)
5	460V / 3 / 60	7.8	40	Up to 2.5*	26"

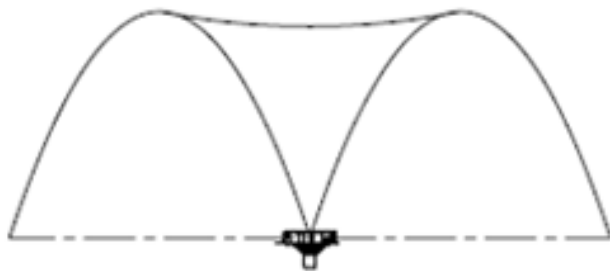
*Surface Acreage; also consider pond shape, depth, and oxygen demand.

MODEL SPECIFICATIONS

Model	Cord Length (ft.)	Cord Gauge
5.3HVFX100**	100	14/4
5.3HVFX150**	150	14/4
5.3HVFX200**	200	14/4
5.3HVFX250**	250	14/4
5.3HVFX300**	300	14/4
5.3HVFX400**	400	12/4
5.3HVFX500**	500*	12/4

*500' and longer cords available by custom order only.

**Ships motor freight only.



Pattern size: 9' H x 34' W

Easy assembly

