



8400VFX FOUNTAIN

OVERVIEW

- Complete package includes motor unit, control panel, float with screens, mooring lines, cable.
- Cable is UL, CSA & NEC rated for underwater use.
- Total package Listed by ETL to UL/CSA standards.
- Intake near surface allows for shallow operation
- Saltwater compatible
- Packaged for convenient shipping
- Optional lighting available

FLOAT

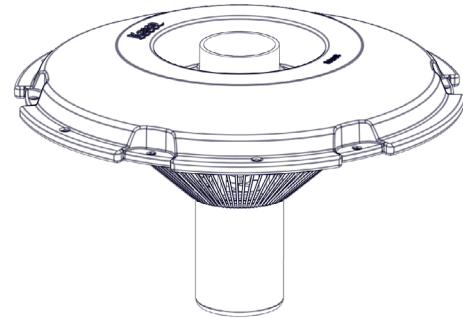
- UV-resistant polyethylene
- Single-piece float
- Series 300 stainless steel hardware
- Series 300 stainless steel top & bottom screens
- Thermoplastic protective bottom screen
- Three 50' braided nylon mooring ropes

FOUNTAIN COMPONENTS

- Custom thermoplastic propeller
- UV-resistant thermoset composite draft tube
- UV-resistant thermoplastic deflector disc
- Series 300 stainless steel hardware

POWER CABLE

- 3 wire (L1, L2, G)
- Quick Disconnect standard on 12+ AWG cords (otherwise optional)
- Stainless steel strain relief on 12+ AWG cords
- 6' flex sleeving protection standard (optional for entire cord length)



Dimensions

Float diameter: 37.5"

Unit height with float: 22.75"

MOTOR UNIT

- 2HP, 208-240Vac operating voltage range, single phase
- Class B insulation
- 1750 RPM
- Oil cooled
- Continuous duty rated
- 17mm top and 20mm bottom bearings
- Thermal overload protection
- Fully unitized heavy-duty carbon-ceramic mechanical seal
- Series 300 stainless steel can
- Engineering grade thermoplastic top
- Sacrificial anode installed on 316 stainless shaft

CONTROL PANEL

- UL 508 Listed
- UL type 3R/4X thermoplastic enclosure
- Human-rated GFCI protection
- 24-hour mechanical timers (fountain & lights)
- Terminal block wiring
- 120V plug on 3' power cord
- 4-wire power required (L1, L2, N, G)

8400VFX FOUNTAIN

OVERVIEW

| HP | Voltage / Phase / Hz | Running Amps | Lock Rotor Amps | Suggested Pond Size (SA) | Min. Depth of Operation (in.) |
|----|----------------------|--------------|-----------------|--------------------------|-------------------------------|
| 2 | 208-240V / 1 / 60 | 11 | 45 | Up to 1* | 20" |

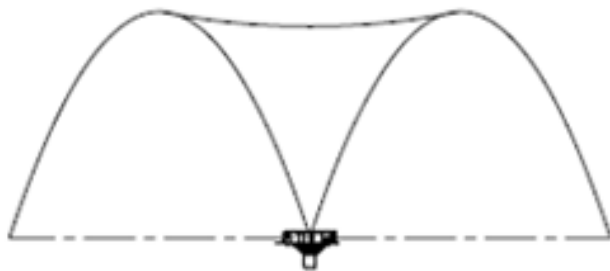
*Surface Acreage; also consider pond shape, depth, and oxygen demand.

MODEL SPECIFICATIONS

| Model | Cord Length (ft.) | Cord Gauge | Number of Boxes |
|------------|-------------------|------------|-----------------|
| 8400VFX050 | 50 | 14/3 | 3 |
| 8400VFX100 | 100 | 12/3 | 4 |
| 8400VFX150 | 150 | 12/3 | 4 |
| 8400VFX200 | 200 | 12/3 | 4 |
| 8400VFX250 | 250 | 12/3 | 4 |
| 8400VFX300 | 300 | 10/3 | 4 |
| 8400VFX400 | 400 | 8/3 | 4** |
| 8400VFX500 | 500 | 8/3 | 4** |

*500' and longer cords available by custom order only.

**Ships motor freight only.



Pattern size: 8' H x 32' W

Easy assembly

